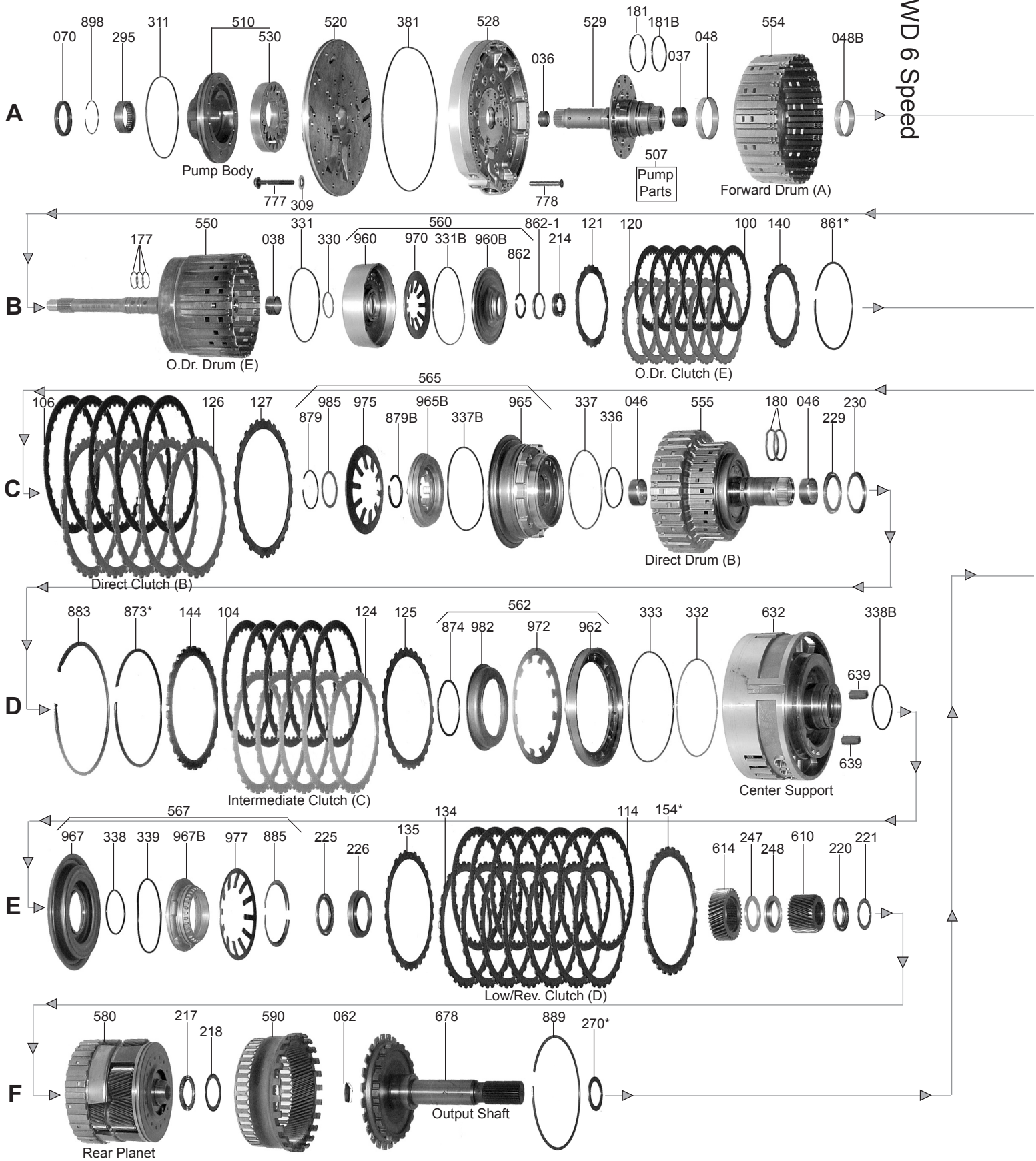


ZF6HP26/26X/28/28X (6R60/6R80)

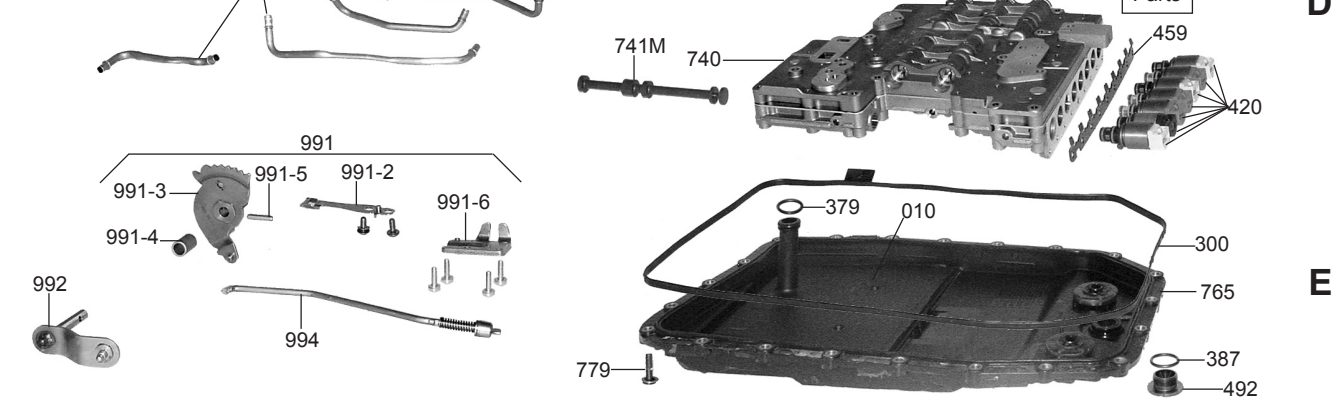
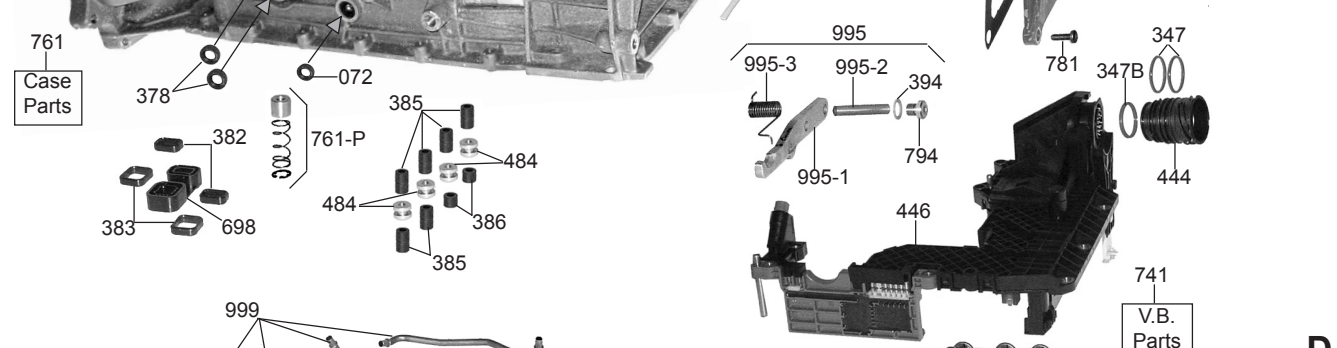
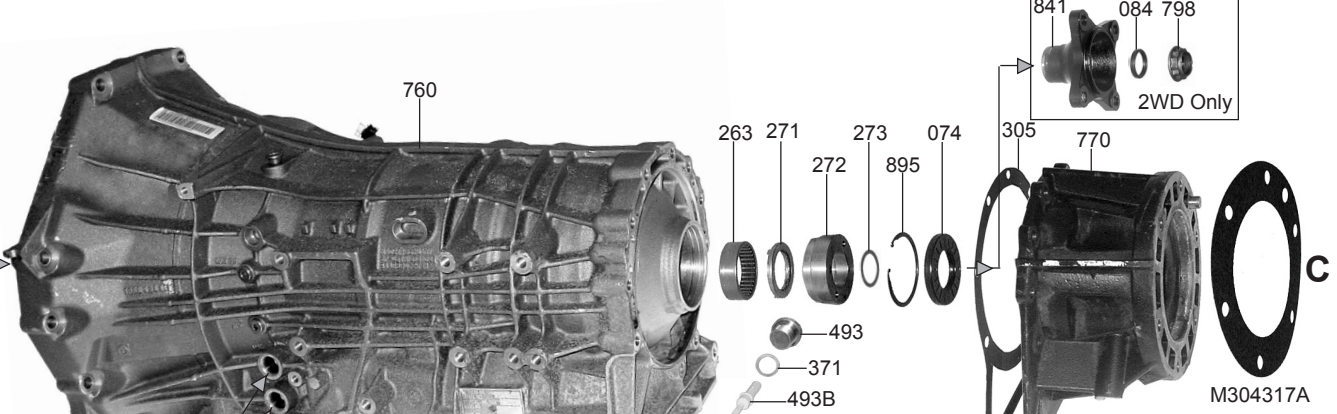
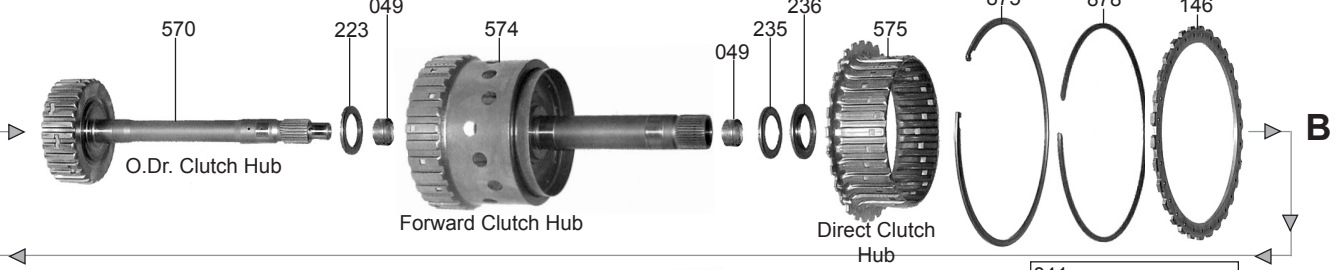
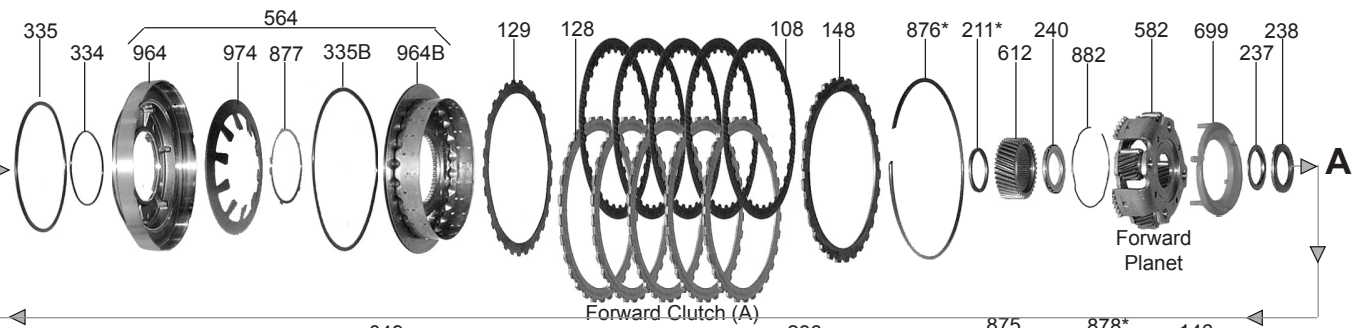


ZF

RWD 6 Speed



RWD 6 Speed



FORD

ZF6HP26/26X/28/28X (6R60/6R80)



RWD 6 Speed

ZF

PART #	PAPER & RUBBER KIT	QTY	REFERENCE #
49000A	Paper & Rubber Kit, ZF6HP26 (Ford) 2005-Up	1	

PART #	OVERHAUL KIT	QTY	REFERENCE #
49002A	Overhaul Kit, ZF6HP26 (All) 2002-Up	1	
49002B	Overhaul Kit, ZF6HP26/ZF6HP26X/ZF6HP28/ZF6HP28X (BMW/Jaguar) 2002-Up	1	
49002C	Overhaul Kit, 6R60/6R75 2006-Up	1	
49002D	Overhaul Kit, ZF6HP26A (Audi/VW) (AWD) 2004-Up	1	

PART #	MASTER L/STEELS KIT	QTY	REFERENCE #
49004A	Master L/Steels Kit, ZF6HP26 (Ford) 2005-Up	1	
49004B	Master L/Steels Kit, ZF6HP26/ZF6HP26X/ZF6HP28/ZF6HP28X (BMW/Jaguar) 2002-Up	1	

PART #	MASTER W/STEELS KIT	QTY	REFERENCE #
49006A	Master W/Steels Kit, ZF6HP26 (All) 2002-Up	1	
49006B	Master W/Steels Kit, ZF6HP26/ZF6HP26X/ZF6HP28/ZF6HP28X (BMW/Jaguar) 2002-Up	1	

PART #	FILTERS	QTY	REFERENCE #
49010A	Use 49765A	1	
49010C	Filter, 6R60 2006 (Also Fits ZF6HP26 Units Ending In 082/122/134/151/181/190/197/201/203/204/205/206/207/208)(Also Fits ZF6HP26X Units Ending In 011/014/018/039/061/068/072/074)	1	6L2Z-7A098-AA
49010E	Filter, 6R75/6R80 2007-Up	1	

PART #	BUSHINGS	QTY	REFERENCE #
49030A	Bushing Kit, ZF6HP26 (All) 2002-Up (Contains: 11 Bushings)(Omega)	1	
49030C	Bushing Kit, 6R60 2006-Up	1	
49036C	Bushing, 6R60 Stator Tube (Front) .907"ID (Babbit) 2006-Up	1	
49037A	Bushing, ZF6HP26 (Ford) Stator Tube (Rear) (1.015"ID) (Bronze) 2005-Up	1	
49037C	Bushing, 6R60 Stator Tube (Rear) 1.103"ID (Babbit) 2006-Up	1	
49038A	Bushing, ZF6HP26 (Ford) Overdrive Clutch Drum (Rear) (Bronze With Oil Pockets) (.669"ID) 2005-Up	1	
49038C	Bushing, 6R60 Overdrive Clutch Drum (Rear) (Babbit With Oil Pockets) (.669"ID) 2006-Up	1	
49046A	Bushing, ZF6HP26 (Ford)/6R60 Direct Drum (B) (Babbit) (1.330"ID) 2005-Up	2	
49048A	Bushing, ZF6HP26 (Ford)/6R60 Forward Clutch Drum (Front) (2.350"ID) 2005-Up	1	
49048B	Bushing, ZF6HP26 (Ford)/6R60 Forward Clutch Drum (Rear) (1.970"ID) 2005-Up	1	
49049A	Bushing, ZF6HP26 (Ford)/6R60 Forward Clutch Hub (Bronze) (.965"ID) 2005-Up	2	
49062A	Bushing, ZF6HP26 (Ford) Output Shaft (Front) .645"ID (With Oil Pockets) (Bronze) 2005-Up	1	5L7Z-7B256-A
49062C	Bushing, 6R60 Output Shaft (Front) .645"ID (With Oil Pockets) (Babbit) 2006-Up	1	6L2Z-7B256-AA

PART #	METAL CLAD SEALS	QTY	REFERENCE #
49070A	Seal, ZF6HP26 (Ford)/6R60 Front Pump (2.280"OD) 2005-Up	1	6L2Z-7A248-AA
49072A	Seal, ZF6HP26 (Ford)/6R60 Shift Lever 2005-Up	1	
49074A	Seal, ZF6HP26 (Ford)/6R60 Rear (4x4) 2.835"OD (1.532"ID) 2005-Up	1	5L7Z-7052-BA
49074CA	Seal, 6R60 Rear 2WD (2.835"OD) (1.730"ID) 2006-Up	1	
49084C	Seal, 6R60 2wd (Presses Into The Yoke, Under The Nut) 2006-Up	1	

PART #	FRICTION CLUTCH	QTY	REFERENCE #
49100A	Friction, ZF6HP26 (All)/6R60 Overdrive Clutch (E Clutch) .061" Thick (30 Teeth) (5.148"OD) 2002-Up	5-6	6L2Z-7B164-CA
49104A	Use 49106A	4-5	5L7Z-7B164-B
49106A	Friction, ZF6HP26 (All)/6R60 Direct Clutch (C Clutch) .085" Thick (30 Teeth) (7 3/8"OD) 2002-Up (Also Fits ZF6HP26 (All) / 6R60 Intermediate Clutch (B Clutch) # 104 2002-Up)	4-5	6L2Z-7B164-BA
49108A	Friction, ZF6HP26 (All)/6R60 Forward Clutch (A Clutch) .063" Thick (30 Teeth) (7 3/8"OD) 2002-Up (Also Fits ZF6HP26 (All)/6R60 Low/Reverse Clutch #114 2002-Up)	8-10	
49114A	Use 49108A	4-12	6L2Z-7B164-AA

PART #	STEEL CLUTCH	QTY	REFERENCE #
49120A	Steel, ZF6HP26 (All)/6R60 Overdrive Clutch (E Clutch)(.118" Thick) 24 Teeth (4.220"ID) 2002-Up	6	6L2Z-7B442-AA
49121A	Steel, ZF6HP26 (Ford)/6R60 Overdrive Clutch (.039" Thick) 4.220"ID (Wavy) 2005-Up	1	6L2Z-7E085-AA



ZF6HP26/26X/28/28X (6R60/6R80)

RWD 6 Speed

49124A	Use 49128A	1	
49125A	Use 49129A	1	
49126A	Steel, ZF6HP26 (All)/6R60 Direct Clutch (B Clutch)(.082" Thick) 30 Teeth (6 7/16"ID) 2002-Up (Also Fits ZF6HP26 (All)/6R60 Low/Reverse Clutch #134)	4-12	6L2Z-7B442-BA
49127A	Use U49129A		
49128A	Steel, ZF6HP26 (All)/6R60 Forward Clutch (A Clutch)(.118" Thick) 30 Teeth (6 7/16"ID) 2002-Up (Also Fits ZF6HP26 (All)/6R60 Intermediate Clutch #124 2002-Up)(Also Fits 6R60 Forward Clutch Pressure Plate # 148) 2006-Up	4-12	6L2Z-7B442-CA
49129A	Steel, ZF6HP26 (Ford)/6R60 Forward Clutch (Bottom) .035" Thick (28 Teeth) Wavy (6 7/16"ID) 2005-Up (Also Fits ZF6HP26 (Ford)/6R60 Direct Clutch #127, Low/Reverse Clutch #135 & Intermediate Clutch #125)	1-3	6L2Z-7E085-BA
49134A	Use 49126A		
49135A	Use 49129A		

PART #	PRESSURE PLATES	QTY	REFERENCE #
49140A	Pressure Plate, ZF6HP26 (All)/6R60 Overdrive Clutch (E Clutch)(24 Teeth)(4.220"ID) 2002-Up	1	6L2Z-7B066-D
49144A	Pressure Plate, ZF6HP26 (All)/6R60 Intermediate Clutch (C Clutch)(.154" Thick) 30 Teeth (6 7/16"ID)(No Dimples) 2002-Up (Also Fits 6R60 Direct Clutch Pressure Plate #146 2006-Up)	1	6L2Z-7B066-BA
49146A	Pressure Plate, ZF6HP26 (All) Direct Clutch (B Clutch)(.154" Thick) 30 Teeth (6 7/16"ID) (30 Dimples) 2002-Up	1	5L7Z-7B066-A
49146C	Use 49144A	1	
49148A	Pressure Plate, ZF6HP26 (All) Forward Clutch (A Clutch)(Top) 2002-Up	1	
49148C	Use 49128A	1	
49154AA	Pressure Plate, ZF6HP26 (Ford)/6R60 Low/Reverse Clutch (.200") 30 Teeth 2005-Up	1	6L2Z-7B066-HA
49154AB	Pressure Plate, ZF6HP26 (Ford)/6R60 Low/Reverse Clutch (.208") 30 Teeth 2005-Up	1	6L2Z-7B066-M
49154AC	Pressure Plate, ZF6HP26 (Ford)/6R60 Low/Reverse Clutch (.212") 30 Teeth 2005-Up	1	6L2Z-7B066-JA
49154AD	Pressure Plate, ZF6HP26 (Ford)/6R60 Low/Reverse Clutch (.220") 30 Teeth 2005-Up	1	6L2Z-7B066-N
49154AE	Pressure Plate, ZF6HP26 (Ford)/6R60 Low/Reverse Clutch (.224") 30 Teeth 2005-Up	1	6L2Z-7B066-KA
49154AF	Pressure Plate, ZF6HP26 (Ford)/6R60 Low/Reverse Clutch (.232") 30 Teeth 2005-Up	1	6L2Z-7B066-P
49154AG	Pressure Plate, ZF6HP26 (Ford)/6R60 Low/Reverse Clutch (.236") 30 Teeth 2005-Up	1	6L2Z-7B066-LA

PART #	SEALING RINGS	QTY	REFERENCE #
49175AT	Ring Kit, ZF6HP26 (Ford) (Teflon) 2005-Up	1	
49175CT	Ring Kit, 6R60 (Teflon & Metal) 2006-Up	1	
49177AT	Ring, ZF6HP26 (Ford) Input Shaft (Overdrive Drum W/Shaft) .985"OD (Teflon) 2005-Up	3	5L7Z-7G091-A
49177CT	Ring, 6R60 Input Shaft (Overdrive Drum W/Shaft) 1.064"OD (Teflon) 2006-Up	2	6L2Z-7G091-DA
49180AT	Ring, ZF6HP26 (Ford)/6R60 Direct Drum Shaft (Teflon) 2005-Up	2	6L2Z-7D020-CA
49181AT	Ring, ZF6HP26 (Ford) Forward Clutch (Stator Tube Front Ring) (2.355"OD) (Teflon) 2005-Up	1	
49181BC	Ring, 6R60 Forward Clutch (Stator Tube Rear Ring) 2.200"OD (Metal) 2006-Up	1	6L2Z-7L323-AA
49181BT	Ring, ZF6HP26 (Ford) Forward Clutch (Stator Tube Rear Ring) (2.200"OD) (Teflon) 2005-Up	1	5L7Z-7D019-A
49181C	Ring, 6R60 Forward Clutch (Stator Tube Front Ring) 2.355"OD (Metal) 2006-Up	1	6L2Z-7D019-AA

PART #	WASHERS & BEARINGS	QTY	REFERENCE #
49211AA	Shim, ZF6HP26 (Ford)/6R60 Stator To Forward Sun Gear (.100" Thick) (1.930"OD) (1.600"ID) 2005-Up	1	6L2Z-7D014-AA
49211AB	Shim, ZF6HP26 (Ford)/6R60 Stator To Forward Sun Gear (.108" Thick) (1.930"OD) (1.600"ID) 2005-Up	1	6L2Z-7D014-BA
49211AC	Shim, ZF6HP26 (Ford)/6R60 Stator To Forward Sun Gear (.116" Thick) (1.930"OD) (1.600"ID) 2005-Up	1	6L2Z-7D014-CA
49211AD	Shim, ZF6HP26 (Ford)/6R60 Stator To Forward Sun Gear (.124" Thick) (1.930"OD) (1.600"ID) 2005-Up	1	6L2Z-7D014-DA
49211AE	Shim, ZF6HP26 (Ford)/6R60 Stator To Forward Sun Gear (.131" Thick) (1.930"OD) (1.600"ID) 2005-Up	1	6L2Z-7D014-F
49214A	Bearing W/Race, ZF6HP26 (Ford) Overdrive Drum To Overdrive Clutch Hub (.295" Thick) 1.505"OD (.835"ID) 2005-Up	1	
49214C	Bearing W/Races, 6R60 Overdrive Drum To Overdrive Clutch Hub (.285" Thick) 1.586"OD (.813"ID) 2006-Up	1	6L2Z-7C096-B
49217A	Bearing W/Race, ZF6HP26 (Ford) Rear Planet To Output Shaft (.158" Thick) 2.190"OD (1.580"ID) 2005-Up	1	
49217C	Bearing W/Races, 6R60 Rear Planet To Output Shaft (.197" Thick) 2.455"OD (1.626"ID) 2006-Up	1	6L2Z-7G178-AA
49218A	Race, ZF6HP26 (Ford) Rear Planet To Output Shaft (.038" Thick) 2.323"OD (1.710"ID) 2005-Up	1	5L7Z-7A166-A
49220A	Use 49248A	1	
49221A	Use 49247A	1	

FORD

ZF6HP26/26X/28/28X (6R60/6R80)



ZF

RWD 6 Speed

PART #	WASHERS & BEARINGS (Continued)	QTY	REFERENCE #
49221C	Race, 6R60 Rear Sun Gear To Planet (.039" Thick) 1.900"OD (1.333"ID) 2006-Up	1	
49223A	Bearing W/Race, ZF6HP26 (Ford) Overdrive Clutch Hub To Forward Clutch (.163" Thick) 2.045"OD (1.383"ID) 2005-Up	1	5L7Z-7L495-A
49223C	Use 49240C	1	
49225A	Brg W/Race, ZF6HP26 (Ford) Center Support To Sun Gear (.144" Thick) 2.668"OD (1.860"ID) 2005-Up	1	5L7Z-7F405-A
49225C	Bearing W/Races, 6R60 Center Support To Sun Gear (2.925"OD) (1.994"ID) 2006-Up	1	6L2Z-7C041-BA
49226A	Race, ZF6HP26 (Ford) Center Support To Sun Gear (Cupped) 2.870"OD (2.010"ID) 2005-Up	1	5L7Z-7D066-A
49226CA	Race, 6R60 Center Support To Sun Gear (Flat) .058" Thick (2.434"OD) (2.015"ID) 2006-Up	1	6L2Z-7F405-A
49226CB	Race, 6R60 Center Support To Sun Gear (Flat) .066" Thick (2.434"OD) (2.015"ID) 2006-Up	1	6L2Z-7F405-B
49226CC	Race, 6R60 Center Support To Sun Gear (Flat) .073" Thick (2.434"OD) (2.015"ID) 2006-Up	1	6L2Z-7F405-C
49226CD	Race, 6R60 Center Support To Sun Gear (Flat) .081" Thick (2.434"OD) (2.015"ID) 2006-Up	1	6L2Z-7F405-D
49226CE	Race, 6R60 Center Support To Sun Gear (Flat) .089" Thick (2.434"OD) (2.015"ID) 2006-Up	1	6L2Z-7F405-E
49229A	Bearing W/Race, ZF6HP26 (Ford) Direct Drum To Center Support (.135" Thick) 2.625"OD (1.935"ID) 2005-Up	1	5L7Z-7F373-A
49229C	Bearing W/Races, 6R60 Direct Drum To Center Support (2.705"OD)(1.995"ID) 2006-Up	1	6L2Z-7F373-AA
49230A	Race, ZF6HP26 (Ford) Direct Drum To Center Support (2.624"OD) (2.075"ID) 2005-Up	1	
49235A	Race, ZF6HP26 (Ford) Forward Clutch Hub To Direct Drum (2.212"OD) (1.445"ID) 2005-Up	1	
49236A	Bearing W/Race, ZF6HP26 (Ford) Forward Clutch Hub To Direct Drum (2.256"OD) (1.385"ID) 2005-Up	1	5L7Z-7C096-A
49236C	Bearing W/Races, 6R60 Forward Clutch Hub To Direct Drum (.190" Thick) 2.190"OD (1.394"ID) 2006-Up	1	6L2Z-7C096-AA
49237A	Race, ZF6HP26 (Ford) Forward Planet To Overdrive Drum (.031" Thick) 1.903"OD (1.370"ID) 2005-Up	1	5L7Z-7072-A
49238A	Bearing W/Race, ZF6HP26 (Ford) Forward Planet To Overdrive Drum (.156" Thick) 2.040"OD (1.384"ID) 2005-Up	1	5L7Z-7L495-B
49238C	Bearing W/Races, 6R60 Forward Planet To Overdrive Drum (.192" Thick) 2.192"OD (1.364"ID) 2006-Up	1	6L2Z-7L495-AA
49240A	Bearing W/Races, ZF6HP26 (Ford) Forward Sun Gear To Planet (.186" Thick) 2.039"OD (1.308"ID) 2005-Up	1	
49240C	Bearing W/Races, 6R60 Forward Sun Gear To Planet (.190" Thick) 2.040"OD (1.247"ID) 2006-Up (Also Fits 6R60 Overdrive Clutch Hbb To Forward Clutch Drum #223 2006-Up)	1	6L2Z-7H375-BA
49247A	Race, ZF6HP26 (Ford)/6R60 Rear Planet Front Sun Gear To Rear Sun Gear (.127" Thick) 1.970"OD (1.382"ID) 2005-Up (Also Fits ZF6HP26 (Ford) Rear Sun Gear To Planet #221) 2005-Up	2	6L2Z-7D235-AA
49248A	Bearing W/Race, ZF6HP26 (Ford)/6R60 Rear Planet Front Sun Gear To Rear Sun Gear (.156" Thick) 2.048"OD (1.345"ID) 2005-Up (Also Fits ZF6HP26 (Ford)/6R60 Rear Sun Gear To Planet #220) 2005-Up	2	6L2Z-7D234-BA
49263A	Caged Needle Bearing, ZF6HP26 (Ford) Output Shaft To Case (.778" Thick) 2.480"OD (Cast # RT F-2332851 INA) 2005-Up	1	5L7Z-7A415-A
49263C	Caged Needle Bearing, 6R60 Output Shaft To Case (.778" Thick) 2.480"OD (Cast # 7A415 FOMOCO) 2006-Up	1	
49270AA	Shim, ZF6HP26 (Ford) Output Shaft To Rear Aluminum Spacer (.047" Thick) 2.157"OD (1.550"ID) 2005-Up	1	5L7Z-7N357-A
49270AB	Shim, ZF6HP26 (Ford) Output Shaft To Rear Aluminum Spacer (.054" Thick) 2.157"OD (1.550"ID) 2005-Up	1	5L7Z-7N357-B
49270AC	Shim, ZF6HP26 (Ford) Output Shaft To Rear Aluminum Spacer (.063" Thick) 2.157"OD (1.550"ID) 2005-Up	1	5L7Z-7N357-D
49270AD	Shim, ZF6HP26 (Ford) Output Shaft To Rear Aluminum Spacer (.071" Thick) 2.157"OD (1.550"ID) 2005-Up	1	5L7Z-7N357-E
49270AE	Shim, ZF6HP26 (Ford) Output Shaft To Rear Aluminum Spacer (.078" Thick) 2.157"OD (1.550"ID) 2005-Up	1	5L7Z-7N357-F
49270AF	Shim, ZF6HP26 (Ford) Output Shaft To Rear Aluminum Spacer (.086" Thick) 2.157"OD (1.550"ID) 2005-Up	1	5L7Z-7N357-G
49270AG	Shim, ZF6HP26 (Ford) Output Shaft To Rear Aluminum Spacer (.094" Thick) 2.157"OD (1.550"ID) 2005-Up	1	5L7Z-7N357-H
49270AH	Shim, ZF6HP26 (Ford) Output Shaft To Rear Aluminum Spacer (.102" Thick) 2.157"OD (1.550"ID) 2005-Up	1	5L7Z-7N357-J
49270AJ	Shim, ZF6HP26 (Ford) Output Shaft To Rear Aluminum Spacer (.110" Thick) 2.157"OD (1.550"ID) 2005-Up	1	5L7Z-7N357-K
49271A	Bearing W/Races, ZF6HP26 (Ford) Output Shaft To Rear Aluminum Spacer (.200" Thick) 2.315"OD (1.570"ID) (With 3 Ears) 2005-Up	1	
49271C	Bearing W/Races, 6R60 Output Shaft To Rear Steel Spacer (.190" Thick) 2.352"OD (1.570"ID) (No Ears) 2006-Up	1	
49272A	Spacer, ZF6HP26 (Ford) Aluminum (1.042" Thick) 2.835"OD (1.560"ID) Stepped (With 2 Threaded Holes) 2005-Up	1	



ZF6HP26/26X/28/28X (6R60/6R80)

RWD 6 Speed

49272C	Spacer, 6R60 4x4 (Steel) .665" Thick (2.835"OD) 1.760"ID (Stepped)	1	6L2Z-7A433-AA
	(Cast # 6L2P-7A433-BA) 2006-Up	1	6L2Z-7A415-AA
49272CA	Ball Bearing, 6R60 2WD Case To Output Shaft 2006-Up	1	6L2Z-7B368-BA
49273CA	Race, 6R60 2WD Rear Ball Bearing To Yoke (.039" Thick) 1.733"OD (1.390"ID) 2006-Up	1	
49295A	Caged Needle Bearing, ZF6HP26 (Ford)/6R60 Pump Body (.575" Wide) (2.055"OD) 2005-Up	1	

PART #	GASKETS & RUBBER COMPONENTS	QTY	REFERENCE #
49300AW	Gasket, ZF6HP26 (Ford) Bottom Pan (Rubber) (For Plastic Pan) 2005-Up	1	5L7Z-7A191-AA
49300BW	Gasket, ZF6HP26/28/32 Bottom Pan (Rubber)(For Plastic Pan) 2002-Up	1	
49300CW	Gasket, 6R60 Bottom (Metal With Bonded Rubber) For Metal Pan 2006-Up	1	
49305C	Gasket, 6R60 4x4 Extention Housing 2006-Up	1	
49309A	Seal/Washer, ZF6HP26 (Ford) Pump Bolt 2005-Up	14	
49311A	O-Ring, ZF6HP26 (Ford)/6R60 Pump Body 2005-Up	1	
49381A	O-Ring, ZF6HP26 (Ford)/6R60 Pump Cover To Case 2005-Up	1	6L2Z-7A248-CA
49385A	Seal, ZF6HP26 (Ford) Rubber Feed Tubes Valve Body To Center Support (Long Ones) 2005-Up	6	
49385C	Seal, 6R60 Rubber Feed Tube Valve Body To Center Support (1.569" Long With Blue End) 2006-Up	1	6L2Z-7G087-AA
49385CA	Seal, 6R60 Rubber Feed Tube Valve Body To Center Support (1.230" Long With Green End) 2006-Up	1	6L2Z-7G199-AA
49385CB	Seal, 6R60 Rubber Feed Tube Valve Body To Center Support (1.005" Long With Black Ends) 2006-Up	2	6L2Z-7G084-AA
49386A	Seal, ZF6HP26 (Ford) Rubber Feed Tubes Valve Body To Center Support (Short Ones) 2005-Up	2	

PART #	TECHNICAL MANUALS	QTY	REFERENCE #
49400A	Technical Manual, ZF6HP26 (Ford) 2005-Up	1	
49401B	Manual, ZF6HP26 (BMW/Jaguar) Repair (CD)	1	
49401BFD	Manual, ZF6HP26 (BMW/Jaguar) Functional Description (CD)	1	
49401D	Manual, ZF6HP26A61 (Audi/VW) Repair (CD)	1	
49401DFD	Manual, ZF6HP26A61 (Audi/VW) Functional Description (CD)	1	

PART #	ELECTRICAL COMPONENTS	QTY	REFERENCE #
49420A	Solenoid Assembly, ZF6HP26 (7 Solenoids)(Fits Units Ending In 030/031/032/033/036/037/038/039/043/044/045/046/050/063/064/065/066/067/069/070/071/072/075/076/077/078/079/085/086/091/093/094/100/101/102/103/104/105/111/112/113/114/115/116/117/118/119/121/128/129/130/135/136/137/138/160/161/162/163/164/165/175/176/177/178/181/185/201/203/204/205/206/207/208/215)	1	
49420A-B	Solenoid Assembly, ZF6HP26X (7 Solenoids)(Use 49420A) (Units Ending In 002/003/004/011/014/018/020/027/029/030/034/035/036/038/043/044/045/046/047/051/052/053/054/055/057/058/059/064/065/066/068/069/070/071/072/074/075/086/088)	1	
49420A-D	Solenoid Assembly, ZF6HP26A (7 Solenoids) (Use 49420A) (Fits Units Ending In 008/010/014/017/020/021/025/026/027/028/036/039/052/053)(Also Fits 6HP26A61 Ending In 014/015/017/018/024/027/029/030/031/032/033/035/036/037/038/048/049/056/072/073/078)	1	
49420AA	Solenoid Assembly, ZF6HP26/ZF6HP26X (9 Solenoids With Wire Harness & Park Cylinder)(Fits ZF6HP26 Units Ending In 026/027/028/029/034/051/052/053/054/05/059/060/061/062/074/082/083/084/087/092/096/097/098/106/123/124/125/126/127/134/152/166/167/168/169/171/173/183/191/192/193/194/209)(Fits ZF6HP26X Units Ending In 033/037/076/078/084)	1	
49420C	Solenoid Assembly, 6R60 (7 Solenoids) 2006-Up	1	6L2Z-7G484-AA
49420C-1	Solenoid, 6R60 (Pressure)(White Connector) 2006-Up	1	
49420C-2	Solenoid, 6R60 (Pressure)(Brown Connector) 2006-Up	3	
49420C-3	Solenoid, 6R60 (Pressure)(Black Connector) 2006-Up	3	
49420D	Solenoid Assembly, ZF6HP26A/6HP26A61 (7 Solenoids)(Fits ZF6HP26A Units Ending In 029/031/033/034/038/040/041/042/046/048/049/050/051/056/057/059/060/061)(Fits ZF6HP26A61 Units Ending In 039/040/041/043/044/058/059/060/061/067/068/069/070/075/080/081/082/083)	1	
49420G	Solenoid Assembly, ZF6HP28/A/X/A61 (7 Solenoids)(Fits ZF6HP28 Units Ending In 001/002/014/015/018/021)(Fits ZF6HP28A Units Ending In 001)(Fits ZF6HP28X Units Endind In 002/004/008/013/014/015/018/019/020/021)(Fits ZF6HP28A61 Units Ending In 001/002/004)	1	
49420GA	Solenoid Assembly, ZF6HP28/X (9 Solenoids With Wire Harness And Park Cylinder)(Fits ZF6HP28 Units Ending In 008/009/011/012/013/016/023/024)(Fits ZF6HP28X Units Ending In 001/003/007/009/010/011/012/016)	1	
49444A	Connector, ZF6HP26 (All) Case (Plastic, Pass Through) 2005-Up	1	5L7Z-7G276-AA
49444C	Connector, 6R60 Case (Plastic, Pass Through) (Cast # 6L2P-7H585-AA) 2006-Up	1	6L2Z-7G276-AA
49446A	Circuit Board, ZF6HP26 (Ford) Control Module 2005-Up	1	
49446C	Circuit Board, 6R60 Control Module (Cast # 6I2P14C247AC) 2006-Up	1	
49459A	Bracket, ZF6HP26 (Ford) Holds Solenoids On Valve Body 2005-Up	1	

FORD

ZF6HP26/26X/28/28X (6R60/6R80)



ZF

RWD 6 Speed

PART #	MISCELLANEOUS COMPONENTS	QTY	REFERENCE #
49484A	Oil Sleeve, ZF6HP26 (Ford) Valve Body To Center Support (Aluminum)(Between The Rubber Seals) 2005-Up	4	
49492A	Drain Plug, ZF6HP26 (Ford) Plastic (With Allen Head) 2005-Up	1	
49493A	Fill Plug, ZF6HP26 (Ford) (Allen Head) 2005-Up	1	5L7Z-7A010-AA
49493BC	Dip Stick, 6R60 (Yellow) (4 15/16" Long) 2006-Up	1	
49493C	Dip Stick Cover, 6R60 (19mm Hex Head) 2006-Up	1	

PART #	HARD PARTS	QTY	REFERENCE #
49510A	Pump Body W/Gears, ZF6HP26 (Ford) (17 Teeth Inner Gear) 2005-Up	1	
49510C	Pump Body W/Gears, 6R60 (17 Teeth Inner Gear) (Cast # 6L60B) 2006-Up	1	
49520A	Pump Cover, ZF6HP26 (Ford) Aluminum (Cast # 1068) 2005-Up	1	
49520C	Pump Cover, 6R60 (Aluminum) (Cast # AL9S11CU) 2006-Up	1	
49528A	Stator Housing, ZF6HP26 (Ford) Aluminum (Cast # 1068 410 041) 2005-Up	1	
49528C	Stator Housing, 6R60 (Aluminum) (Cast # 03 04 05 06) 2006-Up	1	
49529A	Stator Tube, ZF6HP26 (Ford) 7" Long (17 Bolt Holes) 2005-Up	1	

PART #	PUMP COMPONENTS	QTY	REFERENCE #
49530A	Pump Gear Set, ZF6HP26 (Ford) 17 Teeth Inner Gear (.550" Thick) With 2 Lugs For Converter Hub 2005-Up	1	

PART #	HARD PARTS (Continued)	QTY	REFERENCE #
49550A	Drum W/Shaft, ZF6HP26 (Ford) Overdrive Clutch Drum (E Clutch) (With 71 Teeth Forward Planet Ring Gear & 3 Ring Shaft)(6 Clutch) 2005-Up	1	5L7Z-7F207-A
49550C	Drum W/Shaft, 6R60 Overdrive Clutch Drum (E Clutch) With 71 Teeth Forward Planet Ring Gear & 2 Ring Shaft) (5 Clutch) 2006-Up	1	6L2Z-7F207-AA
49554A	Drum, ZF6HP26 (Ford)/6R60 Forward Clutch (A) 7 7/8"OD (3.227" Tall) Uses 30 Teeth Steels (Stamped Steel) 2005-Up	1	6L2Z-7A360-BA
49555A	Drum, ZF6HP26 (Ford)/6R60 Direct Clutch (B) Stamped Steel (7 5/8" Tall) Uses 30 Teeth Direct Steels 2005-Up	1	5L7Z-7F283-A
49560A	Piston Kit, ZF6HP26 (Ford) Overdrive Clutch 2005-Up (Piston Cast # 1 068 471 037)	1	
49560C	Piston Kit, 6R60 Overdrive Clutch (Piston Cast # RF7L1P-7G418-BA) 2006-Up	1	
49562A	Piston Kit, ZF6HP26 (Ford) Intermediate Clutch (Piston Cast # 1068475016) 2005-Up	1	
49564A	Piston Kit, ZF6HP26 (Ford) Forward Clutch 2005-Up	1	
49564C	Piston Kit, 6R60 Forward Clutch (Cast # 6L20-7H360-AA On #964B) 2006-Up	1	
49565A	Piston Kit, ZF6HP26 (Ford) Direct Clutch (6 Pieces) 2005-Up	1	
49565C	Piston Kit, 6R60 Direct Clutch (Piston Cast # RF6L2P-7C117-AA) 2006-Up	1	
49567A	Piston Kit, ZF6HP26 (Ford) Low/Reverse Clutch 2005-Up	1	
49570A	Hub W/Shaft, ZF6HP26 (Ford) Overdrive Clutch (10 7/8" Long) .670"OD Front Pilot 3/4" Long (30 Clutch Splines) 2005-Up	1	5L7Z-7F351-A
49570C	Hub W/Shaft, 6R60 Overdrive Clutch (10 7/8" Long) (.670"OD Front Pilot 1 1/4" Long) 1/2006-8/2006	1	6L2Z-7F351-D
49574A	Hub W/Shaft, ZF6HP26 (Ford)/6R60 Forward Clutch (11 1/8" Tall) 15 Round Holes (30 Clutch Splines) 2005-Up	1	6L2Z-7B067-A
49575A	Hub, ZF6HP26 (Ford)/6R60 Direct Clutch (2.235" Tall) 30 Clutch Splines 2005-06	1	6L2Z-7F236-AA
49580A	Planet, ZF6HP26 (Ford) Rear (Overdrive) Uses A 38 Teeth Front Sun Gear And 31 Teeth Rear Sun Gear (Cast # 1068 332 060 818 On Rear Oil Shield) 2005-Up	1	5L7Z-7D006-A
49580C	Planet, 6R60 Rear (Overdrive) (Uses A 38 Teeth Front Sun Gear & 31 Teeth Rear Sun Gear) (Cast # 6L2P-7H583-AA On Rear Oil Shield) 2006-Up	1	6L2Z-7D006-AA
49582A	Planet, ZF6HP26 (Ford) Forward (4 Gear) 16 Teeth Pinions, No Groove (Stamped Steel) 2005-Up	1	5L7Z-7A398-A
49582C	Planet, 6R60 Forward (3 Gear) 16 Teeth Pinions, No Groove (Stamped Steel) (Cast # 6L2P-7H356-AA) 2006-Up	1	6L2Z-7A398-BA
49590A	Ring Gear, ZF6HP26 (Ford) Rear Planet (Overdrive) 2005-Up	1	5L7Z-7A153-A
49590C	Ring Gear, 6R60 Rear Planet (Overdrive) (Cast # 7G211 HB) 2006-Up	1	6L2Z-7A153-B
49610A	Sun Gear, ZF6HP26 (Ford) Rear Planet (Rear Sun Gear) 31 Teeth (No Groove) 1.595" Thick (2.372"OD) Splined ID (Flat On Front & Rear Of Gear) 2005-Up	1	
49610C	Sun Gear, 6R60 Rear Planet (Rear Sun Gear) (31 Teeth No Groove) 1.505" Thick (2.372"OD) Splined ID (With Raised Shoulder On Front & Back) 2006-Up	1	6L2Z-7D063-E
49612A	Sun Gear, ZF6HP26 (Ford)/6R60 Forward (37 Teeth) 1 Groove (.870" Thick) 2.570"OD (Splined Inside) 2005-Up	1	6L2Z-7D063-DA
49614A	Sun Gear, ZF6HP26 (Ford) Rear Planet (Front Sun Gear) 38 Teeth (3 Groove) .870" Thick (2.880"OD) Splined ID (Flat On Front & Rear Of Gear) 2005-Up	1	
49614C	Sun Gear, 6R60 Rear Planet (Front Sun Gear) 38 Teeth 3 Groove (.870" Thick) 2.880"OD (Splined ID) (With Raised Shoulder On Front & Rear) 2006-Up	1	6L2Z-7D063-CA



ZF6HP26/26X/28/28X (6R60/6R80)

RWD 6 Speed

49632A	Center Support, ZF6HP26 (Ford) Aluminum (4 3/4" Thick) 8"OD (Uses 30 Teeth Intermediate Steels) (Cast # 1068) 2005-Up	1	5L7Z-7A130-A
49632C	Center Support, 6R60 (Aluminum) 4 3/4" Thick (8"OD) Uses 30 Teeth Intermediate Steels (Cast # 6L2P-7L328-CC) 2006-Up	1	6L2Z-7A130-A
49639A	Keyway Lug, ZF6HP26 (Ford)/6R60 Center Support To Case (.240" Thick) .472" Wide (1.175" Long) 2005-Up	2	5L7Z-7B220-A
49678A	Shaft, ZF6HP26 (Ford) Output (4x4) 7 7/8" Long Shaft 2005-Up	1	5L7Z-7060-B
49678C	Shaft, 6R60 Output (4x4) 5 7/16" Long Shaft (20 Parking Lugs) 2006-Up	1	6L2Z-7060-B
49698A	Oil Sleeve, ZF6HP26 (Ford) Valve Body To Pump (Plastic, Dual Squares) 2005-Up	1	
49698C	Oil Sleeve, 6R60 Valve Body To Pump (Plastic, Dual Squares)(Cast # 6L2P-7F401-CA) 2006-Up	1	6L2Z-7F401-A
49699C	Oil Baffle, 6R60 Forward Planet (Rear) Plastic, 6 Tabs (Cast # 6L2P7H578A) 2006-Up	1	6L2Z-7L339-A
49740A	Valve Body, ZF6HP26 (Ford) (Navigator) (With 7 Solenoids) 2005-Up	1	
49740C	Valve Body, 6R60 (With 7 Solenoids) (Cast # RF6L2P-7A101-DA On Filter Side) (Cast # RF6L2P-7A092-DA On Case Side) 2006-Up (Seperator Plate Cast # 6L2P-7Z490-FB)	1	

PART #	VALVE BODY PARTS	QTY	REFERENCE #
49741AC-6K	End Plug Kit, 6R60/6R75/6R80/ZF6HP26 Valve Body (Contains: 6 Large End Plugs With O-Rings & Washer, 1 Small End Plug With O-Ring & Washer, And 1 Pressure Regulator Support Sleeve) (Superior)	1	
49741MA	Manual Valve, ZF6HP26 (Ford) 5 3/8" Long (.590"OD) 2005-Up (With 5 Spools)	1	
49747A	Plate, ZF6HP26 Valve Body (Bonded) 2002-Up (Cast # 1068 327 141 With A035 & B035 Stamped On Plate)	1	
49747AA	Plate, ZF6HP26 Valve Body (Bonded) 2002-Up (Cast # 1068 327 163 With A047 & B047 Stamped On Plate)	1	
49747AB	Plate, ZF6HP26 Valve Body (Bonded) 2002-Up (Cast # 1068 327 179 With A051 & B051 Stamped On Plate)	1	
49747AC	Plate, ZF6HP26 Valve Body (Bonded) 2002-Up (Cast # 1068 327 180 With A052 & B052 Stamped On Plate) This Plate Will Replace The Plate Stamped With A046 & B046)	1	
49747AD	Plate, ZF6HP26 Valve Body (Bonded) 2002-Up (Cast # 1068 327 189 With A053 & B053 Stamped On Plate)	1	
49747AE	Plate, ZF6HP26 Valve Body (Bonded) 2002-Up (Cast # 1068 327 210 With A063 & B063 Stamped On Plate)	1	

PART #	HARD PARTS (Continued)	QTY	REFERENCE #
49760A	Case, ZF6HP26 (Ford) (Navigator) (5.4L Engine) 2005-Up	1	5L7Z-7005-A
49760C	Case, 6R60 (4.6L) 4x4 2006-Up	1	
49760CC	Case, 6R60 (4.6L) 2WD 2006-Up	1	
49761A-P	Thermal By-Pass Valve, ZF6HP26 (Ford) (Sets In Case) (Valve & Spring) 2005-Up	1	
49761C-P	Thermal By-Pass Valve, 6R60 (Sets In Case) (Valve, Spring & Sleeve) 2006-Up	1	
49765A	Pan, ZF6HP26 (Ford) Bottom (Plastic) With Filter Made Into The Pan (2005-06 Navigator)	1	5L7Z-7A194-AA
49765B	Pan, ZF6HP26 (BMW/Jaguar) Bottom (With Pan Gasket)(Plastic)(With Filter Made Into The Pan) 2002-Up	1	
49765C	Pan, 6R60 Bottom (Metal) (21 Bolt) 2006-Up	1	
49770A	Extension Housing, ZF6HP26 (Ford) 4x4 (Cast Iron) 5 3/16" Long (With 2 Threaded Bosses) 2005-Up	1	
49770C	Extension Housing, 6R60 4x4 (Cast Iron) 2006-Up	1	
49777AK	Bolt Set, ZF6HP26 (Ford)/6R60 Pump To Case (14 Pieces) 2005-Up	1	
49778AK	Bolt Set, ZF6HP26 (Ford)/6R60 (10 Pieces Hold Stator Shaft To Stator Housing) (11 Pieces Hold Pump Body To Stator) (21 Pieces Total) 2005-Up	1	
49779AK	Bolt Set, ZF6HP26 (Ford) Pan To Case (21 Pieces) (For Plastic Pan) 2005-Up	1	
49779CK	Bolt Set, 6R60 Pan To Case (21 Pieces) (For Metal Pan) 2006-Up	1	
49781AK	Bolt Set, ZF6HP26 (Ford) Extension Housing To Case (11 Pieces) 2005-Up	1	
49781CK	Bolt Set, 6R60 Extension Housing To Case (9 Pieces) 2006-Up	1	
49782AK	Bolt Set, ZF6HP26 (Ford) / 6R60 Valve Body To Case (8 Pieces) 2005-Up	1	
49798C	Nut, 6R60 Holds 2WD Yoke To Output Shaft (12 Point) 2006-Up	1	
49841C	Yoke, 6R60 2WD (4 Bolt) 2006-Up	1	
49861AA	Snap Ring, ZF6HP26 (Ford)/6R60 Holds Overdrive Clutch Pressure Plate In (.071" Thick) (5.470"OD) 2005-Up	1	5L7Z-7D483-Q
49861AB	Snap Ring, ZF6HP26 (Ford)/6R60 Holds Overdrive Clutch Pressure Plate In (.078" Thick) (5.470"OD) 2005-Up	1	5L7Z-7D483-R
49861AC	Snap Ring, ZF6HP26 (Ford)/6R60 Holds Overdrive Clutch Pressure Plate In (.086" Thick) (5.470"OD) 2005-Up	1	5L7Z-7D483-S
49861AD	Snap Ring, ZF6HP26 (Ford)/6R60 Holds Overdrive Clutch Pressure Plate In (.094" Thick) (5.470"OD) 2005-Up	1	5L7Z-7D483-T
49861AE	Snap Ring, ZF6HP26 (Ford)/6R60 Holds Overdrive Clutch Pressure Plate In (.102" Thick) (5.470"OD) 2005-Up	1	5L7Z-7D483-U
49861AF	Snap Ring, ZF6HP26 (Ford)/6R60 Holds Overdrive Clutch Pressure Plate In (.110" Thick) (5.470"OD) 2005-Up	1	5L7Z-7D483-V

FORD

ZF6HP26/26X/28/28X (6R60/6R80)



ZF

RWD 6 Speed

PART #	HARD PARTS (Continued)	QTY	REFERENCE #
49861AG	Snap Ring, ZF6HP26 (Ford)/6R60 Holds Overdrive Clutch Pressure Plate In (.118" Thick) (5.470"OD) 2005-Up	1	5L7Z-7D483-W
49861AH	Snap Ring, ZF6HP26 (Ford)/6R60 Holds Overdrive Clutch Pressure Plate In (.126" Thick) (5.470"OD) 2005-Up	1	5L7Z-7D483-X
49861AJ	Snap Ring, ZF6HP26 (Ford)/6R60 Holds Overdrive Clutch Pressure Plate In (.134" Thick) (5.470"OD) 2005-Up	1	5L7Z-7D483-Y
49861AK	Snap Ring, ZF6HP26 (Ford)/6R60 Holds Overdrive Clutch Pressure Plate In (.142" Thick) (5.470"OD) 2005-Up	1	5L7Z-7D483-Z
49862A	Snap Ring, ZF6HP26 (Ford)/6R60 Holds Overdrive Clutch Piston Retainer In Drum (.095" Thick) (1.618"OD) 2005-Up	1	6L2Z-7C122-C
49862A-1	Retainer/Spacer, ZF6HP26 (Ford) Set On Top Of Snap Ring #862 (1.702"OD) (1.390"ID) 2005-Up	1	5L7Z-7A527-B
49873AA	Use 49878	1	
49874A	Snap Ring, ZF6HP26 (Ford)/6R60 Holds Intermediate Clutch Piston Retainer In Center Support (.076" Thick) (3.675"OD) 2005-Up	1	6L2Z-7A577-AA
49875A	Snap Ring, ZF6HP26 (Ford) Holds Direct Clutch Hub To Forward Clutch Drum (.100" Thick) 7 5/8"OD (With Hooked Ends) 2005-Up	1	5L7Z-7C122-B
49875C	Snap Ring, 6R60 Holds Direct Clutch Hub To Forward Clutch Drum (.100" Thick) 7 5/8"OD (With Square Ends) 2006	1	6L2X-7C122-BA
49876AA	Use 49878	1	6L2Z-7D483-BA
49877A	Snap Ring, ZF6HP26 (Ford)/6R60 Holds Forward Clutch Return Spring In (.055" Thick) (2.770"ID (4 Ears, 2 Eyelets) 2005-Up	1	6L2Z-7H365-AA
49878AA	Snap Ring, ZF6HP26 (Ford)/6R60 Holds Direct Clutch Pressure Plate In (.114" Thick) (7 3/4"OD) 2005-Up (Also Fits #873 & #876)	1	6L2Z-7D483-BA
49878AB	Snap Ring, ZF6HP26 (Ford)/6R60 Holds Direct Clutch Pressure Plate In (.122" Thick) (7 3/4"OD) 2005-Up (Also Fits #873 & #876)	1	6L2Z-7D483-CA
49878AC	Snap Ring, ZF6HP26 (Ford)/6R60 Holds Direct Clutch Pressure Plate In (.130" Thick) (7 3/4"OD) 2005-Up (Also Fits #873 & #876)	1	6L2Z-7D483-DA
49878AD	Snap Ring, ZF6HP26 (Ford)/6R60 Holds Direct Clutch Pressure Plate In (.138" Thick) (7 3/4"OD) 2005-Up (Also Fits #873 & #876)	1	6L2Z-7D483-EA
49878AE	Snap Ring, ZF6HP26 (Ford)/6R60 Holds Direct Clutch Pressure Plate In (.145" Thick) (7 3/4"OD) 2005-Up (Also Fits #873 & #876)	1	6L2Z-7D483-FA
49878AF	Snap Ring, ZF6HP26 (Ford)/6R60 Holds Direct Clutch Pressure Plate In (.153" Thick) (7 3/4"OD) 2005-Up (Also Fits #873 & #876)	1	6L2Z-7D483-GA
49878AG	Snap Ring, ZF6HP26 (Ford)/6R60 Holds Direct Clutch Pressure Plate In (.161" Thick) (7 3/4"OD) 2005-Up (Also Fits #873 & #876)	1	6L2Z-7D483-HA
49879A	Snap Ring, ZF6HP26 (Ford)/6R60 Holds Direct Clutch Piston Retainer In (.055" Thick) (2.545"OD) 2005-Up	1	6L2Z-7H363-AA
49879B	Snap Ring, ZF6HP26 (Ford)/6R60 Holds Direct Clutch Inner Piston In (.098" Thick) (2.140"OD) 2005-Up	1	5L7Z-7A577-A
49882A	Snap Ring, ZF6HP26 (Ford)/6R60 Holds Forward Planet To Forward Clutch Drum (.038" Thick) 2.875"OD (With 3 Bends) 2005-Up	1	6L2Z-7D483-J
49883A	Snap Ring, ZF6HP26 (Ford)/6R60 Holds Center Support To Case (.172" Thick) 8 3/8"OD (Beveled) 2005-Up	1	6L2Z-7D483-K
49885A	Horse Shoe Clips, ZF6HP26 (Ford) Holds Low/Reverse Clutch Piston (.132" Thick) (2 Per Pack) 2005-Up	1	5L7Z-7C122-A
49885C	Snap Ring, 6R60 Holds Low/Reverse Clutch Piston (.078" Thick) (2.670"OD) 2006-Up	1	6L2Z-7D483-L
49889A	Snap Ring, ZF6HP26 (Ford)/6R60 Holds Output Shaft To Rear Ring Gear (.076" Thick) (7 1/8"OD) 2005-Up	1	6L2Z-7C122-AA
49895A	Snap Ring, ZF6HP26 (Ford)/6R60 Holds #272 In Case (.099" Thick) (3.050"OD) 2005-Up	1	6L2Z-7030-BA
49898A	Snap Ring, ZF6HP26 (Ford) Holds Bearing In Pump Body (.058" Thick) (2.140"OD) 2005-Up	1	
49898C	Snap Ring, 6R60 Holds Bearing In Pump Body (.059" Thick) (2.105"OD) 2006-Up	1	
49960A	Piston, ZF6HP26 (Ford) Overdrive Clutch (Aluminum) 1.345" Thick (5.100"OD) (1.485"ID) (Cast # 1 068 471 037) 2005-Up	1	5L7Z-7A262-E
49960B	Piston/Retainer, ZF6HP26 (Ford) Overdrive Clutch Inner (Steel) 4.812"OD (1.385"ID) (Smooth Where Snap Ring #862 Sets) 2005-Up	1	5L7Z-7H360-B
49960BC	Piston/Retainer, 6R60 Overdrive Clutch Inner (Steel) (4.812"OD) 1.385"ID (With 4 Humps Where Snap Ring #862 Sets) 2006-Up	1	6L2Z-7H360-BA
49960C	Piston, 6R60 Overdrive Clutch (Aluminum) 1.330" Thick (5.100"OD) 1.485"ID (Cast # RF7L1P-7G418-BA) 2006-Up	1	6L2Z-7A262-A
49962A	Piston, ZF6HP26 (Ford) Intermediate Clutch (Aluminum) .686" Thick (7 3/8"OD) 5.645"ID (Cast # 1068475016) 2005-Up	1	5L7Z-7E005-A
49962C	Piston, 6R60 Intermediate Clutch (Aluminum) .910" Thick (7 5/16"OD) 5.634"ID (Cast # RF6L2P-7J015-BA) 2006-Up	1	6L2Z-7E005-BA
49964A	Piston, ZF6HP26 (Ford) Forward Clutch (Aluminum) 7 5/16"OD (3.040"ID) (Cast # 1068 470 044) 2005-Up	1	5L7Z-7A262-D



ZF6HP26/26X/28/28X (6R60/6R80)

RWD 6 Speed

49964B	Housing, ZF6HP26 (Ford) Forward Clutch Piston (7 1/16"OD) 1.355" Tall	1	5L7Z-7H360-C
	(Splined ID) (Used With 4 Gear Planet #582) 2005-Up		
49964BC	Housing, 6R60 Forward Clutch Piston (7 1/16"OD) 1.355" Tall (Splined ID)	1	6L2Z-7H360-AA
	(Cast # 6L2P-7H360-AA) (Used With 3 Gear Planet #582) 2006-Up		
49964C	Piston, 6R60 Forward Clutch (Aluminum) 7 5/16"OD (3.040"ID) (Cast # RF6L2P-7L140-AA)	1	6L2Z-7A262-EA
	2006-Up		
49965A	Piston, ZF6HP26 (Ford) Direct Clutch (Outer) Aluminum & Steel (8 Square Holes)	1	5L7Z-7A262-C
	2 3/4" Thick (7 3/16"OD) (1.995"ID) 2005-Up (Cast # 1068 472 041)		
49965B	Inner Piston, ZF6HP26 (Ford) Direct Clutch (Aluminum) 10 Lugs In The Center	1	5L7Z-7H360-A
	(4.635"OD) (1.940"ID) (Cast # 1068 472 035) 2005-Up		
49965BC	Inner Piston, 6R60 Direct Clutch (Aluminum) 10 Lugs In The Center (4.635"OD) 1.940"ID	1	6L2Z-7H359-AA
	(Cast # RF6I2P-7H359-AA) 2006-Up		
49965C	Piston, 6R60 Direct Clutch (Outer) Aluminum & Steel (8 Square Holes) 2 3/4" Thick	1	6L2Z-7A262-DA
	(7 3/16"OD) 1.995"ID (Cast # RF6L29-7C117-AA) 2006-Up		
49967A	Piston, ZF6HP26 (Ford) Low/Reverse Clutch (Steel) .970" Thick (7 3/16"OD)	1	5L7Z-7A262-B
	(2.450"ID) 2005-Up		
49967B	Inner Piston, ZF6HP26 (Ford) Low/Reverse Clutch (Aluminum) 1.055" Thick	1	5L7Z-7A262-A
	(3.848"OD) (2.390"ID) 2005-Up		
49967C	Piston, 6R60 Low/Reverse Clutch (Aluminum) .856" Thick (7 3/16"OD) 2.465"ID	1	6L2Z-7A262-CA
	(Cast # RF6L2P-7D343-CA) 2006-Up		
49970A	Spring, ZF6HP26 (Ford)/6R60 Overdrive Clutch Piston Return (.079" Thick) 4.480"OD	1	6L2Z-7B070-AA
	(19 Fingers) 2005-Up		
49972A	Spring, ZF6HP26 (Ford) / 6R60 Intermediate Clutch Return (.080" Thick) 7"OD (12 Fingers)	1	5L7Z-7B070-E
	2005-Up		
49974A	Spring, ZF6HP26 (Ford)/6R60 Forward Clutch Return (10 Fingers) .082" Thick (5.625"OD)	1	6L2Z-7A480-AA
	2005-Up		
49975A	Spring, ZF6HP26 (Ford)/6R60 Direct Clutch Piston Return (.098" Thick) (2.140"OD)	1	6L2Z-7B488-AA
	2005-Up		
49977A	Spring, ZF6HP26 (Ford) Low/Reverse Clutch Piston Return (.062" Thick) 5.700"OD	1	5L7Z-7B070-B
	(12 Fingers) 2005-Up		
49977C	Spring, 6R60 Low/Reverse Clutch Piston Return (.078" Thick) 5.630"OD (12 Fingers)	1	6L2Z-7B070-BA
	2006-Up		
49982A	Retainer, ZF6HP26 (Ford)/6R60 Intermediate Clutch Piston (Steel) .700" Thick (5.463"OD)	1	6L2Z-7B043-AA
	(3.550"ID) 2005-Up		
49985A	Spacer, ZF6HP26 (Ford)/6R60 Under Snap Ring #879 (.083" Thick Stepped To .052" Thick)	1	6L2Z-7A527-AA
	(2.350"OD) (1.982"ID) 2005-Up		
49991A	Linkage Assembly, ZF6HP26 (Ford) / 6R60 Internal 2005-Up	1	
49992A	Manual Shaft, ZF6HP26 (Ford) With External Lever 2005-Up (External Lever Is Welded Onto The Shaft)	1	5L7Z-7A256-A
49992C	Manual Shaft, 6R60 With External Lever 2006-Up (External Lever Bolts Onto The Shaft)	1	6L2Z-7C493-AA
49995A	Park Pawl Assembly, ZF6HP26 (Ford) (4 Pieces) 2005-Up	1	
49995C	Park Pawl Assembly, 6R60 (4 Pieces) (Cast # 6L2P-7A441-BA) 2006-Up	1	
49999A	Oil Tube Set, ZF6HP26 (Ford) (4 Pieces) 2005-Up	1	

FORD