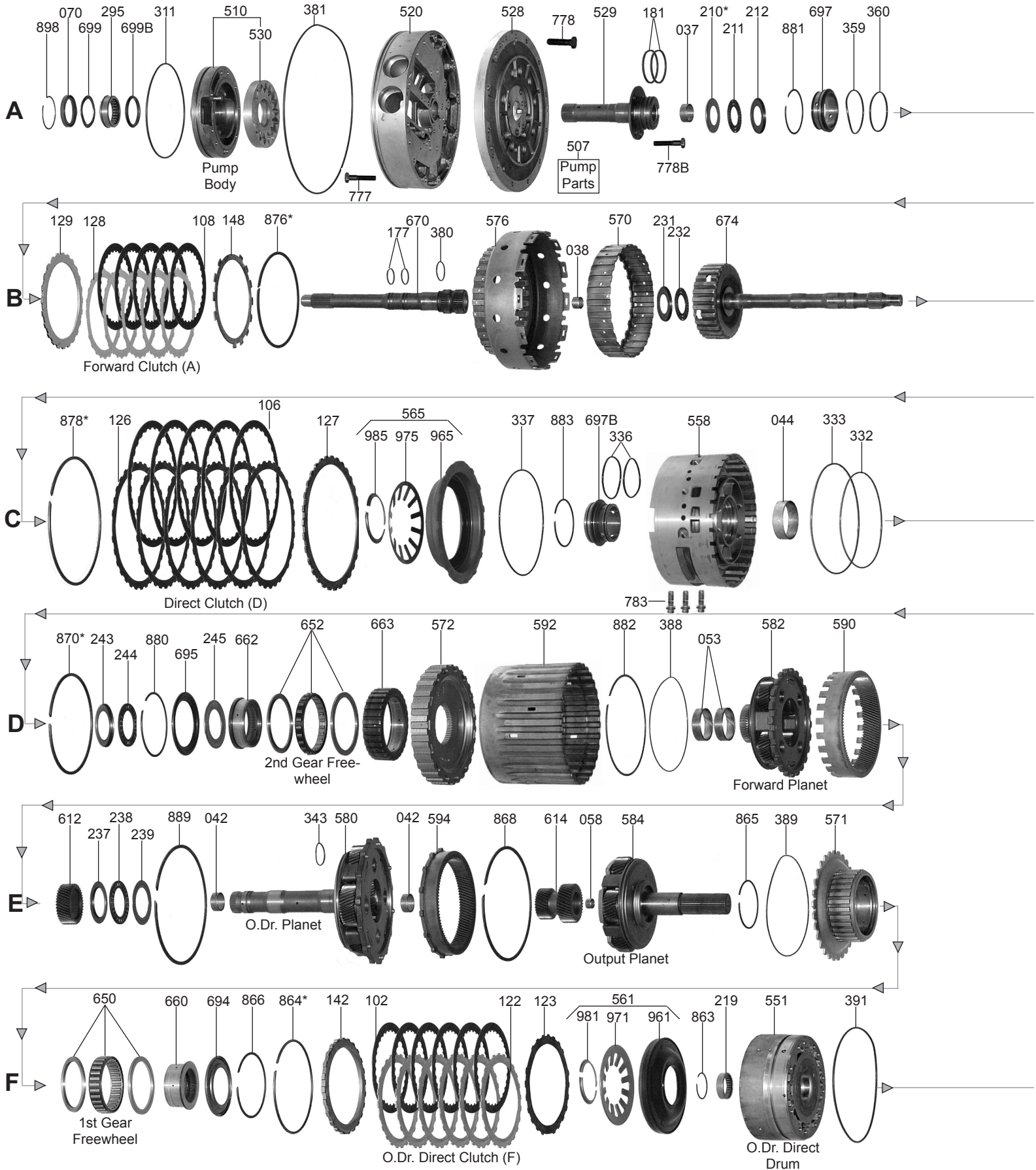
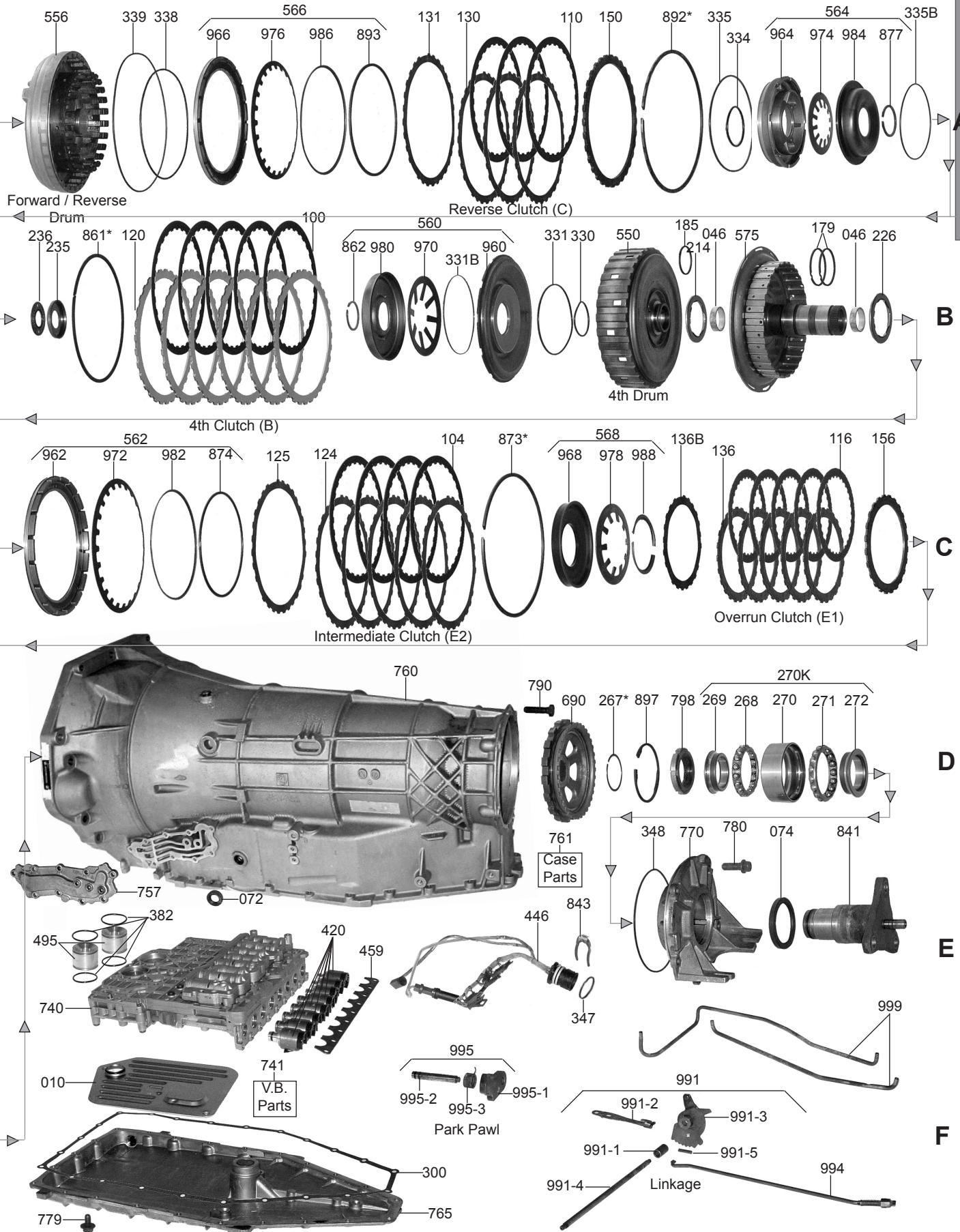


ZF





# ZF5HP30



RWD 5 Speed

ZF

PART #	PAPER & RUBBER KITS	QTY	REFERENCE #
--------	---------------------	-----	-------------

159000A	Paper & Rubber Kit, ZF5HP30 (BMW 540i / 740i) RWD 1993-00 (Also Fits Bentley/Rolls Royce 1998-99)	1	
---------	---	---	--

PART #	OVERHAUL KIT	QTY	REFERENCE #
--------	--------------	-----	-------------

159002A	Overhaul Kit, ZF5HP30 (BMW 540i/740i) RWD (Without Pistons) 1993-00 (Also Fits Bentley/Rolls Royce 1998-99)	1	
---------	---	---	--

PART #	MASTER L/STEELS KIT	QTY	REFERENCE #
--------	---------------------	-----	-------------

159004A	Master L/Steels Kit, ZF5HP30 (BMW) 1991-Up (For Bonded Pistons Sell 159961AK) (For Units Ending In 010/011/029/030/031)	1	
159004AA	Master L/Steels Kit, ZF5HP30 (BMW) 1991-Up (For Bonded Pistons Sell 159961AK) (For Units Ending In 017/027/028/032/039/040)	1	
159004AB	Master L/Steels Kit, ZF5HP30 (BMW) 1991-Up (For Bonded Pistons Sell 159961AK) (For Units Ending In 026)	1	
159004C	Master L/Steels Kit, ZF5HP30 (BMW) (Combo) 1991-Up (For Bonded Pistons Sell D159961AK)	1	

PART #	MASTER W/STEELS KIT	QTY	REFERENCE #
--------	---------------------	-----	-------------

159006A	Master W/Steels Kit, ZF5HP30 (BMW) 1991-Up (For Bonded Pistons Sell 159961AK) (For Units Ending In 010/011/029/030/031)	1	
159006AA	Master W/Steels Kit, ZF5HP30 (BMW) 1991-Up (For Bonded Pistons Sell 159961AK) (For Units Ending In 017/027/028/032/039/040)	1	
159006AB	Master W/Steels Kit, ZF5HP30 (BMW) 1991-Up (For Bonded Pistons Sell 159961AK) (For Units Ending In 026)	1	
159006C	Master W/Steels Kit, ZF5HP30 (BMW)(Combo) 1991-Up (For Bonded Pistons Sell D159961AK)	1	

PART #	FILTERS	QTY	REFERENCE #
--------	---------	-----	-------------

159010A	Filter, ZF5HP30 1993-Up	1	
---------	-------------------------	---	--

PART #	BUSHINGS	QTY	REFERENCE #
--------	----------	-----	-------------

159030A	Bushing Kit, ZF5HP30 1993-Up	1	
159037A	Bushing, ZF5HP30 Stator Tube (Rear) (1.024"OD) 1993-Up	1	
159038A	Bushing, ZF5HP30 Input Shaft (Rear) (.670"ID) 1993-Up	1	
159042A	Bushing, ZF5HP30 Overdrive Planet Shaft (.950"ID) 1993-Up	2	
159044A	Bushing, ZF5HP30 Direct/Intermediate & Overrun Clutch Housing 1993-Up	1	
159046A	Bushing, ZF5HP30 Direct Clutch Hub With Hollow Shaft 1993-Up	2	
159053A	Bushing, ZF5HP30 Forward Planet (1.805"ID) 1993-Up	2	
159058A	Bushing, ZF5HP30 Output Planet (Pilot) (.655"ID) 1993-Up	1	

PART #	METAL CLAD SEALS	QTY	REFERENCE #
--------	------------------	-----	-------------

69070	Seal, ZF5HP30 Front Pump (2.060"OD) 1993-Up	1	
159072A	Seal, ZF5HP30 Linkage (.710"OD) 1993-Up	2	
159074A	Seal, ZF5HP30 Extention Housing (2WD) 2.885"OD (.322" Thick) 1993-Up	1	

PART #	FRICTION CLUTCH	QTY	REFERENCE #
--------	-----------------	-----	-------------

159102A	Friction, ZF5HP30 Overdrive Direct Clutch (.062") 30 Teeth (5.627"OD) 1993-Up (Also Fits Forward & Overrun Clutch)	5-16	
159104A	Friction, ZF5HP30 Intermediate Clutch (.062") 30 Teeth (8.007"OD) 1993-Up (Also Fits 4th Clutch, Direct Clutch & Reverse Clutch)	3-17	
159119A	Friction Module, ZF5HP30 1991-Up (For Units Ending In 010/011/029/030/031)	1	
159119AA	Friction Module, ZF5HP30 1991-Up (For Units Ending In 017/027/028/032/039/040)	1	
159119AB	Friction Module, ZF5HP30 1991-Up (For Units Ending In 026)	1	

PART #	STEEL CLUTCH	QTY	REFERENCE #
159122A	Steel, ZF5HP30 Overdrive Direct Clutch (.071") 24 Teeth (4.688"ID) 1993-Up (Also Fits ZF5HP30 Overrun Clutch)	6-11	
159123A	Use 159129A	1	
159124A	Steel, ZF5HP30 Intermediate Clutch (.118") 32 Teeth (7 3/16"OD) 1993-Up (Also Fits 4th Clutch, Direct Clutch & Reverse Clutch)	3-20	
159125A	Use 159131A	1	
159127A	Use 159131A	1	
159128A	Steel, ZF5HP30 Forward Clutch (.118") 24 Square Teeth (4.690"ID) 1993-Up (Also Fits Overrun Clutch Pressure Plate # 156)	5-10	
159129A	Steel, ZF5HP30 Forward Clutch (.038") 21 Teeth (Waved) 1993-Up (Also Fits Overrun Clutch #136B & Overdrive Direct Clutch #123)	1-3	
159131A	Steel, ZF5HP30 Reverse Clutch (.038") 29 Teeth (Waved) 1993-Up (Also Fits Direct Clutch & Intermediate Clutch)	1-3	
159136B	Use 159129A	5	
159139A	Steel Module, ZF5HP30 1991-Up	1	
PART #	PRESSURE PLATES	QTY	REFERENCE #
159142A	Pressure Plate, ZF5HP30 Overdrive Direct Clutch (.238") (24 Teeth) 1993-Up	1	
159148A	Pressure Plate, ZF5HP30 Forward Clutch (.118") 24 Round Tip Teeth (4.690"ID) 1993-Up	1	
159156A	Use 159128A	1	
PART #	VALVE BODY KITS	QTY	REFERENCE #
159165A	Valve Body Kit, ZF5HP30 1993-Up	1	
PART #	SEALING RINGS	QTY	REFERENCE #
159175A	Ring Kit, ZF5HP30 1993-Up	1	
159179AT	Ring, ZF5HP30 Direct Clutch Hub With Hollow Shaft (Teflon) 1993-Up	2	
159181AT	Ring, ZF5HP30 Stator To Forward/Reverse Drum (Teflon) 1993-Up	2	
159185AT	Ring, ZF5HP30 4th Clutch Drum (Rear) (Teflon) 1993-Up	1	
PART #	WASHERS & BEARINGS	QTY	REFERENCE #
159201A	Bearing Kit, ZF5HP30 (11 Bearings) 1993-Up	1	
159210A	Race, ZF5HP30 Stator Tube To Forward/Reverse Drum (Front) 1993-Up Selective (1.808"OD) 1.035"ID	1	
159211A	Bearing, ZF5HP30 Stator Tube To Forward/Reverse Drum 1993-Up (1.928"OD) 1.065"ID	1	
159212A	Race, ZF5HP30 Stator Tube To Forward/Reverse Drum (Rear) 1993-Up (Cupped) 1.928"OD (1.065"ID)	1	
159214A	Bearing W/Races, ZF5HP30 4th Clutch Drum To Direct Clutch Hub 1993-Up (.155" Thick) 2.922"OD (2.088"ID) Also Fits Direct Clutch Hub With Hollow Shaft To Direct/Intermediate Clutch Housing	1-2	
159219A	Caged Needle Bearing, ZF5HP30 Presses In Overdrive Direct Drum (Cast # HK 3512) 1.655"OD (.467" Thick) 1993-Up	1	
159226A	Use 159214A	1	
159231A	Race, ZF5HP30 Forward/Reverse Drum To Forward Hub With Shaft 1993-Up (Cupped) 1.891"OD (.869"ID)	1	
159232A	Bearing, ZF5HP30 Forward/Reverse Drum To Forward Hub With Shaft 1993-Up (.078" Thick) 1.560"OD (.712"ID)	1	
159235A	Race, ZF5HP30 Forward Clutch Hub To 4th Clutch Drum 1993-Up (Cupped) 1.930"OD (1.065"ID)	1	
159236A	Bearing, ZF5HP30 Forward Clutch Hub To 4th Clutch Drum 1993-Up (.079" Thick) 1.843"OD (1.030"ID)	1	
159237A	Race, ZF5HP30 Forward Sun Gear To Overdrive Planet (Front) 1993-Up (2.720"OD) 1.855"ID (.058" Thick)	1	
159238A	Bearing, ZF5HP30 Forward Sun Gear To Overdrive Planet 1993-Up (2.740"OD) 1.830"ID (.155" Thick)	1	
159239A	Race, ZF5HP30 Forward Sun Gear To Overdrive Planet (Rear) 1993-Up (2.743"OD) 1.850"ID (.040" Thick)	1	
159243A	Race, ZF5HP30 Direct/Intermediate Housing To 2nd Gear Freewheel Inner Race (Cupped) 2.842"OD (1.850"ID) 1993-Up	1	
159244A	Bearing, ZF5HP30 Direct/Intermediate Housing To 2nd Gear Freewheel Inner Race (2.741"OD) 1.820"ID (.157" Thick) 1993-Up	1	

# ZF5HP30



RWD 5 Speed

ZF

PART #	WASHERS & BEARINGS	QTY	REFERENCE #
--------	--------------------	-----	-------------

159245A	Race, ZF5HP30 Direct/Intermediate Housing To 2nd Gear Freewheel Inner Race (3.006"OD) 1.854"ID (.080" Thick) 1993-Up	1	
159267A	Shim, ZF5HP30 Parking Gear To Yoke (Selective) 1993-Up	1	
159270AK	Ball Bearing Assembly, ZF5HP30 Extention Housing To Yoke (5 Pieces) 1993-Up	1	
159295A	Caged Needle Bearing, ZF5HP30 Pump Body To Converter Neck 1993-Up (Cast # INA F-216974) .550" Thick (2.042"OD)	1	

PART #	GASKETS & RUBBER COMPONENTS	QTY	REFERENCE #
--------	-----------------------------	-----	-------------

159300AF	Pan Gasket, ZF5HP30 RWD (Fiber) 1993-Up	1	
183311A	O-Ring, ZF5HP30 Pump Body To Pump Cover 1993-Up	1	
159348A	O-Ring, ZF5HP30 Extention Housing To Case 1993-Up	1	
159380A	O-Ring, ZF5HP30 Input Shaft To Forward/Reverse Drum 1993-Up	1	
159381A	O-Ring, ZF5HP30 Pump Cover To Case 1993-Up	1	

PART #	TECHNICAL MANUALS	QTY	REFERENCE #
--------	-------------------	-----	-------------

159400A	Repair Manual, ZF5HP30 RWD	1	
159400A-1	Valve Body Manual, ZF5HP30 RWD	1	
159400AFD	Manual, ZF5HP30 Functional Description	1	

PART #	ELECTRICAL COMPONENTS	QTY	REFERENCE #
--------	-----------------------	-----	-------------

159420A	Solenoid Kit, ZF5HP30 (For Units Ending In 017/026/027/028/032/039/040) 1993-Up	1	
159420B	Solenoid, Kit, ZF5HP30 (For Units Ending In 010/011/029/030/031) 1993-Up	1	
159436A	Sensor, ZF5HP30 Output Speed (2 Prong) Cast # 0501 310 401 (Reads Off Of #690) Also Input Speed Reads Off Of #576	1-2	
159438A	Use 159436A	1	
159446A	Wire Harness, ZF5HP30 Internal (16 Pin Connector With 8 Three Wire Connectors And 2 Two Wire Connectors) 1993-Up	1	
159495A	Oil Tube, ZF5HP30 Valve Body To Pump Cover (Aluminum) 1993-Up	2	

PART #	HARD PARTS	QTY	REFERENCE #
--------	------------	-----	-------------

159510A	Pump Body, ZF5HP30 With Gears (10 Bolts To Pump Cover) 1993-Up	1	
159520A	Pump Cover, ZF5HP30 (Aluminum) 14 Bolts To Case (10 3/8"OD) (2.235" Thick) 1993-Up	1	
159528A	Stator Support, ZF5HP30 (Aluminum) 10 3/8"OD (1.260"ID) 1993-Up (.650" Thick At The Edge)	1	

PART #	PUMP COMPONENTS	QTY	REFERENCE #
--------	-----------------	-----	-------------

159529A	Stator Tube, ZF5HP30 (6 1/8" Long) 5 Bolt 1993-Up	1	
159530A	Pump Gear Set, ZF5HP30 (14 Teeth On Inner Gear) (.552" Thick) 1993-Up	1	

PART #	HARD PARTS (Continued)	QTY	REFERENCE #
--------	------------------------	-----	-------------

159550A	Drum, ZF5HP30 4th Clutch (5 Clutch) Stamped Steel 1993-Up	1	
159551A	Drum, ZF5HP30 Overdrive Direct Clutch (Aluminum) 6 Clutch (6 3/8"OD) Cast # 1055 476 036-7BF1 (12 Bolts To Case) 1993-Up	1	
159556A	Drum, ZF5HP30 Forward/Reverse Clutch (Aluminum) (9"OD) 1993-Up Uses 5 24 Teeth Forward Steels & Three 32 Teeth Reverse Steels	1	
159558A	Housing, ZF5HP30 Direct/Intermediate & Overrun Clutch (8 9/16"OD) 1993-Up	1	
159560A	Piston Kit, ZF5HP30 4th Clutch 1993-Up	1	
159561A	Piston Kit, ZF5HP30 Overdrive Clutch (Bonded) 1993-Up	1	
159562A	Piston Kit, ZF5HP30 Intermediate Clutch (Aluminum) 1993-Up	1	
159564A	Piston Kit, ZF5HP30 Forward Clutch (Cast # 1055 470 064) 1993-Up	1	
159565A	Piston Kit, ZF5HP30 Direct Clutch (Bonded) 1993-Up	1	
159566A	Piston Kit, ZF5HP30 Reverse Clutch (Cast # 1055 470 083) 1993-Up	1	
159568A	Piston Kit, ZF5HP30 Overrun Clutch (Bonded Pistons) 1993-Up	1	
159570A	Hub, ZF5HP30 4th Clutch (30 Clutch Teeth) (1.530" Thick) 1993-Up	1	
159571A	Hub, ZF5HP30 Overdrive Clutch (With 1st Gear Freewheel Outer Race) (30 Clutch Splines) 1993-Up	1	
159572A	Hub, ZF5HP30 Intermediate Clutch (Aluminum) (30 Clutch Splines) 1993-Up	1	
159575A	Hub W/Hollow Shaft, ZF5HP30 Direct Clutch (9"OD) 1993-Up	1	
159576A	Hub, ZF5HP30 Reverse Clutch (With 30 Clutch Teeth) (8 7/8"OD) 1993-Up	1	
159580A	Planet W/Shaft, ZF5HP30 Overdrive (4 Gear, 1 Groove) 1993-Up (Uses 32 Teeth Sun Gear)	1	

159582A	Planet, ZF5HP30 Forward (4 Gear, 1 Groove) (24 Lugs) 1993-Up (Uses A 40 Teeth Sun Gear #612)	1
159584A	Planet W/Shaft, ZF5HP30 Output (5 Gear, 1 Groove) 1993-Up (Uses A 38 Teeth Sun Gear)	1
159590A	Ring Gear, ZF5HP30 Overdrive Planet (108 Teeth) (24 Lugs) 1993-Up	1
159592A	Ring Gear, ZF5HP30 With Shell, Forward Planet (100 Teeth) 1993-Up (30 Outer Splines) (7 1/8"OD)	1
159594A	Ring Gear, ZF5HP30 Output Planet (97 Teeth) (15 Lugs) 1993-Up	1
159612A	Sun Gear, ZF5HP30 Forward Planet (40 Teeth, 1 Groove) 1993-Up (.904" Thick) (2.620"OD)	1
159614A	Sun Gear, ZF5HP30 Overdrive & Output Planet (32 Teeth/38 Teeth No Groove) (2.498" Long) 1993-Up	1
159650A	Freewheel, ZF5HP30 1st Gear With End Caps (30 Elements) 1993-Up (1/2 Plastic & 1/2 Metal Cage)	1
159652A	Freewheel, ZF5HP30 2nd Gear With End Caps (24 Elements) 1993-Up (.510" Thick) (1/2 Plastic & 1/2 Metal Cage)	1

PART #	SPRAGS & ONE WAY CLUTCHES	QTY	REFERENCE #
--------	---------------------------	-----	-------------

159660A	Inner Race, ZF5HP30 1st Gear Freewheel (2.845"OD) (1.250" Thick) 1993-Up	1
159662A	Inner Race, ZF5HP30 2nd Gear Freewheel (1.019" Thick) 1993-Up	1
159663A	Outer Race, ZF5HP30 2nd Gear Freewheel (30 Clutch Splines) (1.220" Thick) (3.760"ID) 1993-Up	1

PART #	HARD PARTS (Continued)	QTY	REFERENCE #
--------	------------------------	-----	-------------

159670A	Shaft, ZF5HP30 Input (9 7/8" Long) (27 Converter Splines) 1993-Up	1
159674A	Hub W/Shaft, ZF5HP30 Forward Clutch (30 Teeth Clutch Splines) 1993-Up	1
159690A	Parking Gear, ZF5HP30 (18 Lugs, 36 Teeth Reluctor) 1993-Up	1
159694A	Retainer, ZF5HP30 1st Gear Freewheel (Brass) 1993-Up (3.778"OD) (2.285"ID)	1
159695A	Spacer, ZF5HP30 2nd Gear Freewheel (Brass) 1993-Up	1
159697A	Sleeve, ZF5HP30 Forward/Reverse Drum To Stator Tube 1993-Up (.844" Thick) (2.046"ID)	1
159697B	Sleeve, ZF5HP30 Direct/Intermediate Clutch Housing 1993-Up (1.455" Thick) 2.953"OD (2.045"ID)	1
159699A	Waved Spacer, ZF5HP30 Front Seal To Caged Needle Bearing 1993-Up (.060" Thick) (2.045"OD)	1
159699B	Flat Spacer, ZF5HP30 Caged Needle Bearing To Pump Body 1993-Up (.185" Thick) 1.925"OD (1.575"ID)	1
159740A	Valve Body, ZF5HP30 (8 Solenoids) (Aluminum) 1993-Up	1
159757A	Side Cover, ZF5HP30 (Aluminum) 9 Bolt (With 3 Torx Plugs) 1993-Up	1
159757AA	Side Cover, ZF5HP30 (Aluminum) 9 Bolt (With 2 Threaded Holes For Flared Lines) 1993-Up	1
159760A	Case, ZF5HP30 (Starter At 3:00) 7 3/4" Top Bolts (28 1/4" Long) 1993-Up	1
159765A	Pan, ZF5HP30 Bottom (Aluminum) With Drain Plug (20 Bolt) 1993-Up	1
159770A	Extention Housing, ZF5HP30 2WD (5 Bolts To Case) With 2 Mounting Slots 1993-Up	1
159777AK	Bolt Set, ZF5HP30 Pump Cover To Case (14 Pieces) 1993-Up	1
159778AK	Bolt Set, ZF5HP30 Stator Support To Body (9 Pieces) 1993-Up	1
159778BK	Bolt Set, ZF5HP30 Stator Tube To Stator Support (5 Pieces) 1993-Up	1
159781AK	Bolt Set, ZF5HP30 Extention Housing To Case (5 Pieces) 1993-Up	1
159782AK	Bolt Set, ZF5HP30 Valve Body To Case (12 Pieces) 1993-Up	1
159783AK	Bolt Set, ZF5HP30 Center Support To Case (3 Pieces) 1993-Up	1
159790AK	Bolt Set, ZF5HP30 Overdrive Direct Drum To Case (12 Pieces) 1993-Up	1
159798A	Nut, ZF5HP30 Output Shaft Yoke (6 Notches) (Right Hand Thread) 1993-Up	1
159841A	Yoke, ZF5HP30 Output Shaft (3 Bolt) (5.945" Long) 1993-Up	1
159843A	Clip, ZF5HP30 Holds Case Connector To Case 1993-Up	1
159861A	Snap Ring, ZF5HP30 Holds 4th Clutches In Drum 1993-Up (8 3/8"OD) (.125" Thick) Also Fits Intermediate Clutch #873)	1-2
159862A	Use 159877A	1
159863A	Snap Ring, ZF5HP30 Holds Caged Needle Bearing In Overdrive Direct Drum (.057" Thick) (1.737"OD) 1993-Up	1
159864A	Use 159876A	1
159865A	Snap Ring, ZF5HP30 Holds 1st Gear Freewheel To Overdrive Direct Drum (2.354"OD) (.041" Thick) 1993-Up	1
159866A	Snap Ring, ZF5HP30 Holds 1st Gear Freewhell To Clutch Hub (.076" Thick) (4.010"OD) 1993-Up	1

# ZF5HP30



RWD 5 Speed

ZF

PART #	HARD PARTS (Continued)	QTY	REFERENCE #
159868A	Use 159889A	1	
159870A	Use 159876A	1	
159873A	Use 159861A	1	
159874A	Use 159893A	1	
159876A	Snap Ring, ZF5HP30 Holds Forward Clutch Pressure Plate In 1993-Up (Selective) (6"OD) Also Fits Overrun Clutch #870 (Also Fits Overdrive Direct Clutch #864)	1-2	
159877A	Snap Ring, ZF5HP30 Holds Forward Clutch Piston Springs In Drum 1993-Up (.098" Thick) 1.885"OD (With 2 Eyelets) Also Holds 4th Clutch Piston Retainer In Drum #862	1-2	
159878A	Snap Ring, ZF5HP30 Holds Direct Clutch Pressure Plate In Drum 1993-Up (.131" Thick) (8 3/8"OD)	1	
159880A	Snap Ring, ZF5HP30 Holds 2nd Gear Freewheel To Outer Race (4.225"OD) (.076" Thick) 1993-Up	1	
159881A	Snap Ring, ZF5HP30 Holds Sleeve To Forward/Reverse Drum (.059" Thick) 1993-Up	1	
159882A	Snap Ring, ZF5HP30 Holds Overdrive Ring Gear To Forward Planet (.077" Thick) (6 5/8"OD) 1993-Up	1	
159883A	Snap Ring, ZF5HP30 Holds Direct Sleeve (# 697B) To Housing 1993-Up (.076" Thick) (3.118"OD)	1	
159889A	Snap Ring, ZF5HP30 Holds Overdrive Planet Ring Gear To Shell #592 (.096" Thick) (7 1/8"OD) 1993-Up (Also Holds Output Ring Gear To Shell #868)	1-2	
159892A	Snap Ring, ZF5HP30 Holds Reverse Clutch Pressure Plate In Drum 1993-Up (Selective) (8 5/16"OD)	1	
159893A	Snap Ring, ZF5HP30 Holds Reverse Clutch Piston Springs In 1993-Up (6 5/16"OD) .116" Thick (Also Fits Intermediate Clutch # 874)	1-2	
159897A	Snap Ring, ZF5HP30 Holds Bearing #270K To Extension Housing) 1993-Up (.117" Thick) 3.640"OD (With 2 Eyelets)	1	
159898A	Snap Ring, ZF5HP30 Holds Front Seal To Body 1993-Up	1	
159960A	Piston, ZF5HP30 4th Clutch (Aluminum) 7 7/8"OD (2.005"ID) 1993-Up	1	
159961A	Use 185961B	1	
185961B	Piston, ZF5HP30 (F Clutch # 961) (Bonded)(.980" Thick)(5.578"OD)(2.315"ID) 1993-Up	1	
159961AK	Piston Kit, ZF5HP30 (BMW) 1993-Up (Bonded) (Contains: #961, 965 & 968)	1	
159962A	Piston, ZF5HP30 Intermediate Clutch (Aluminum) (18 Lugs) 1993-Up (.595" Thick) 8 1/16"OD (6 5/16"ID)	1	
159964A	Piston, ZF5HP30 Forward Clutch (Aluminum) (Cast # 1055 470 064) 1993-Up (5.585"OD) (1.823"ID)	1	
159965A	Piston, ZF5HP30 Direct Clutch (Bonded) 1993-Up	1	
159966A	Piston, ZF5HP30 Reverse Clutch (Aluminum) (Cast # 1055 470 083) 1993-Up (8 1/16"OD) 6 5/16"ID (.402" Thick)	1	
159968A	Piston, ZF5HP30 Overrun Clutch (Bonded) (5.355"OD) 1993-Up	1	
159970A	Spring, ZF5HP30 4th Clutch Return (8 Fingers) (.065" Thick) 1993-Up	1	
159971A	Spring, ZF5HP30 Overdrive Direct Clutch Return (12 Fingers) 1993-Up (.078" Thick) (5.035"OD)	1	
159972A	Use 159976A	1	
159974A	Spring, ZF5HP30 Forward Clutch Return (12 Fingers) 1993-Up (.063" Thick) (3.915"OD)	1	
159975A	Spring, ZF5HP30 Direct Clutch Return (12 Fingers) 1993-Up (.055" Thick) (5.100"OD)	1	
159976A	Spring, ZF5HP30 Reverse Clutch Return (24 Fingers) (7 1/2"OD) 1993-Up (Also Fits Intermediate Clutch Return #972)	1-2	
159978A	Spring, ZF5HP30 Overrun Clutch Return (10 Fingers) 1993-Up (4.875"OD) (.065" Thick)	1	
159980A	Retainer, ZF5HP30 4th Clutch Return Spring (5.418"OD) 1993-Up	1	
159981A	Retainer, ZF5HP30 Overdrive Clutch Return Spring (2 Pieces) 1993-Up	1	
159982A	Use 159986A	1	
159984A	Retainer, ZF5HP30 Forward Clutch Return Spring 1993-Up (5.110"OD) (1.730"ID)	1	
159985A	Retainer, ZF5HP30 Holds Direct Clutch Return Spring In 1993-Up (2 Pieces) Also Fits Overrun Clutch #988	1-2	
159986A	Retainer, ZF5HP30 Reverse Clutch Spring Snap Ring (Stepped) 1993-Up (6 9/16"OD) .132" Thick (Also Fits Intermediate Clutch #982)	1	
159988A	Use 159985A	1	
159991A	Linkage Assembly, ZF5HP30 Internal (6 Pieces) 1993-Up	1	
159995A	Park Pawl Assembly, ZF5HP30 (3 Pieces) 1993-Up	1	



**Technical Bulletin #983**

**Transmission:** ZF5HP30  
**Subject:** Forward Bind and Reverse Slips  
**Application:** 99-03 Aston Martin, 99-03 Bentley, 92-01 BMW, 98-03 Rolls Royce  
**Issue Date:** January, 2006

ZF

**ZF5HP30**

**Forward Bind and Reverse Slips**

The transmission binds in E mode first gear and then will free up on the 1-2 shift. With the winter mode button pressed so the snow flake is illuminated it will slip in reverse.

The rubber F check ball has become too small due to the normally high operating temperatures. Replace the F check ball in the bath tub with a 0.250" steel check ball. DO NOT use a rubber or plastic type ball.

**5 HP 30  
Channel plate**

