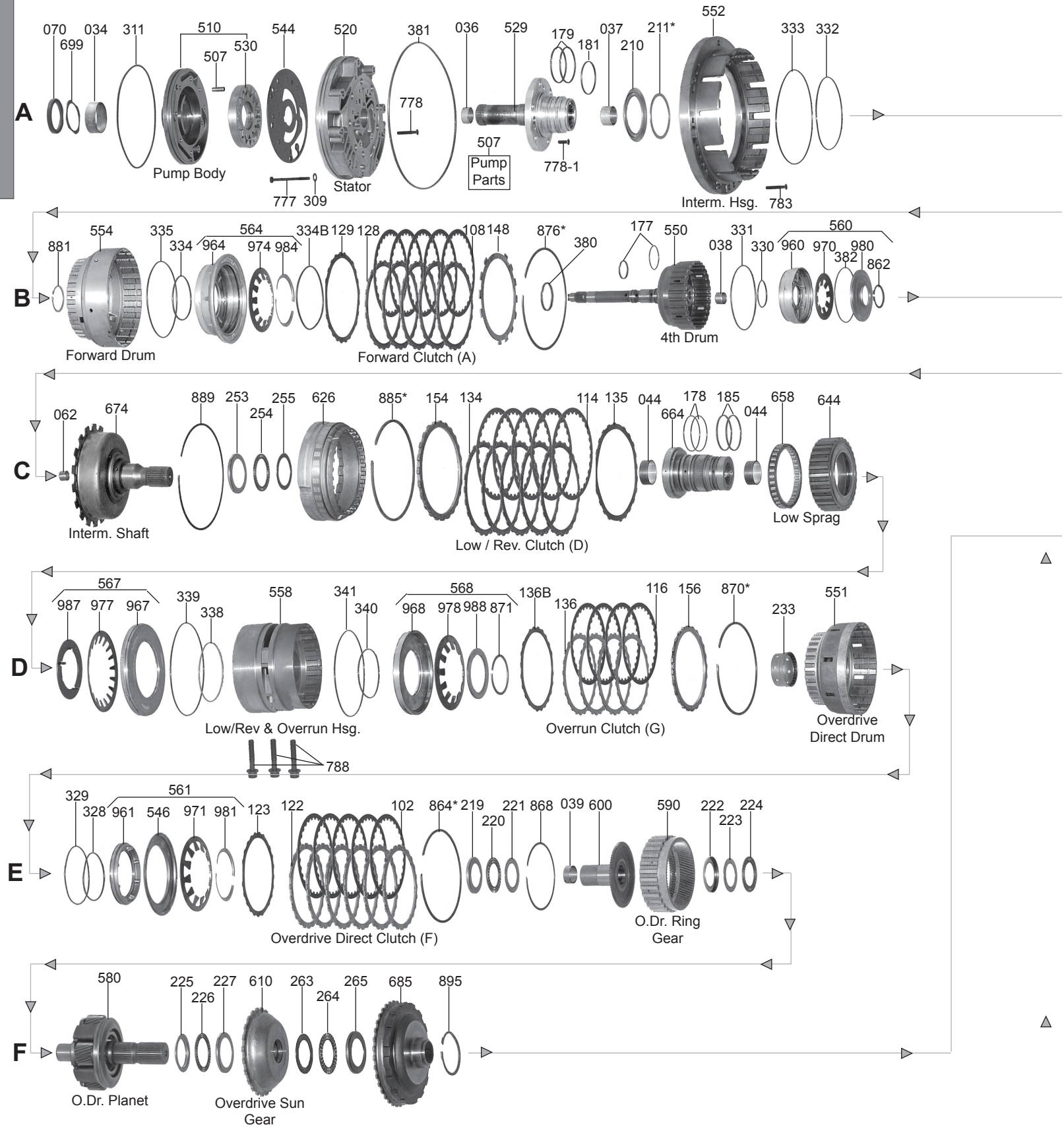
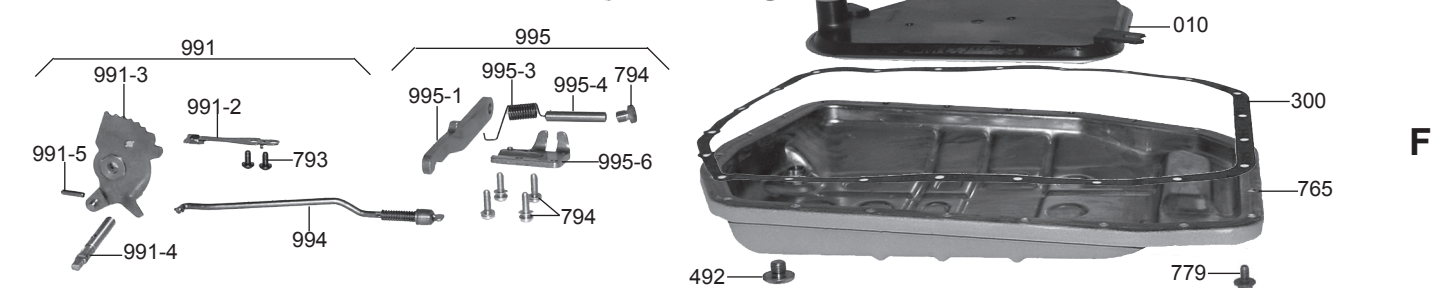
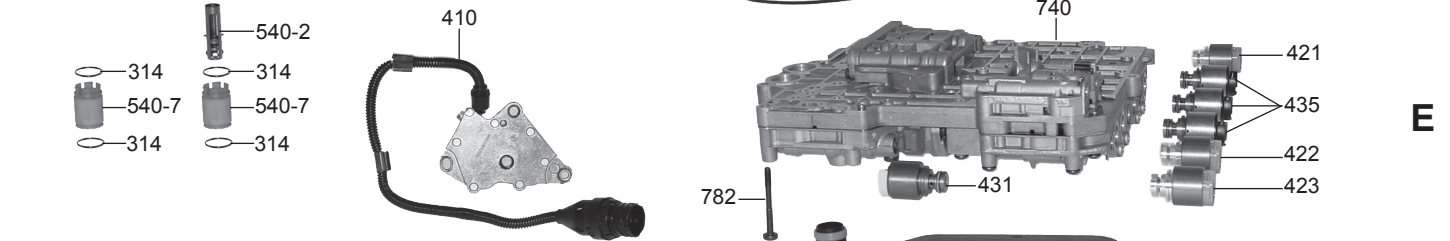
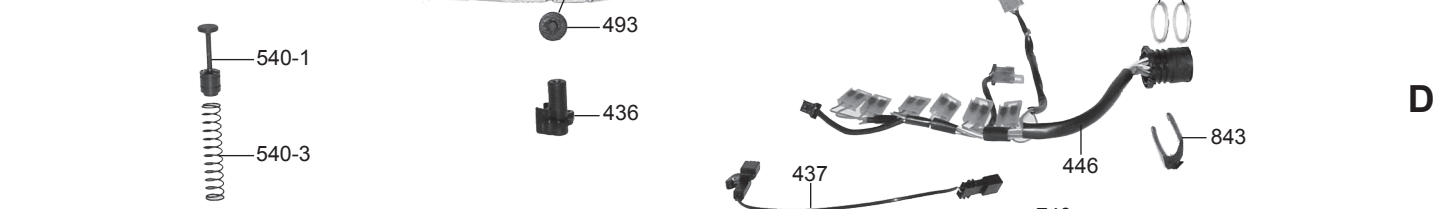
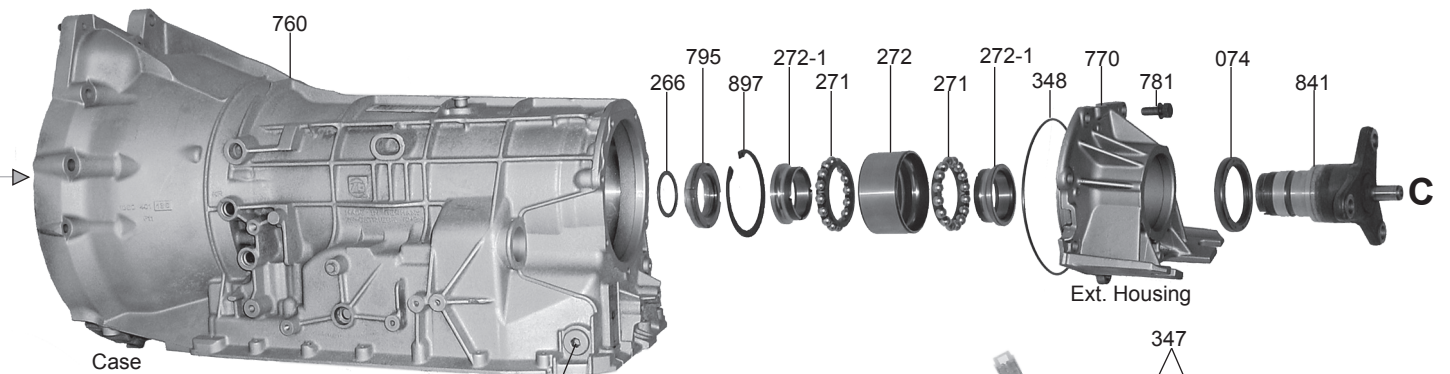
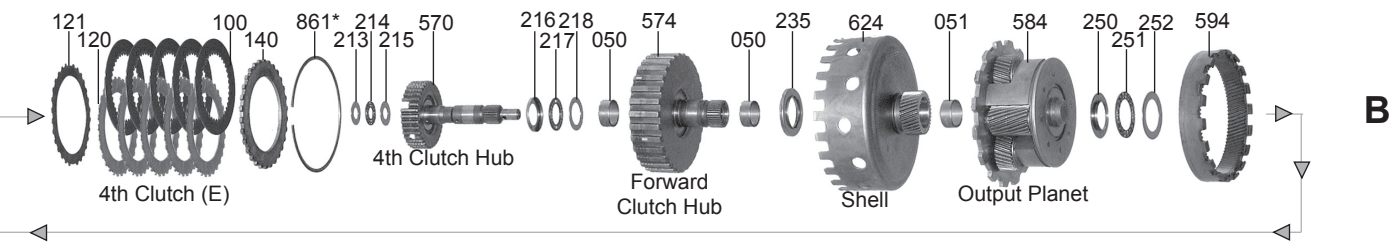
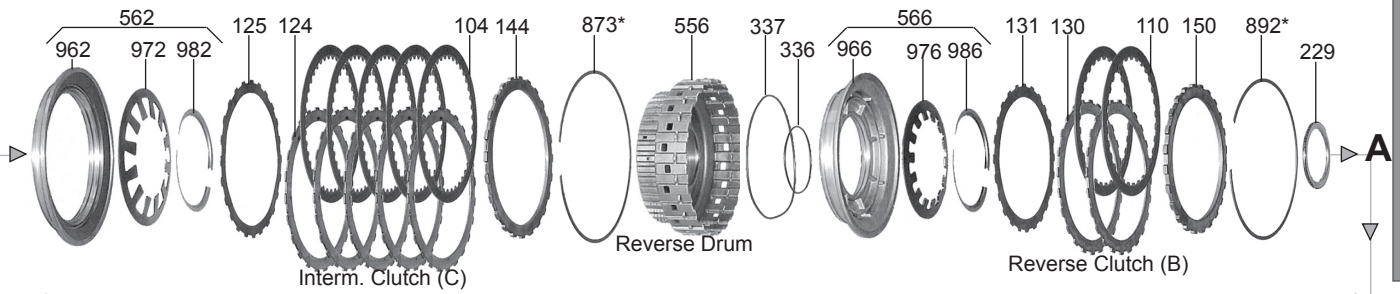


ZF

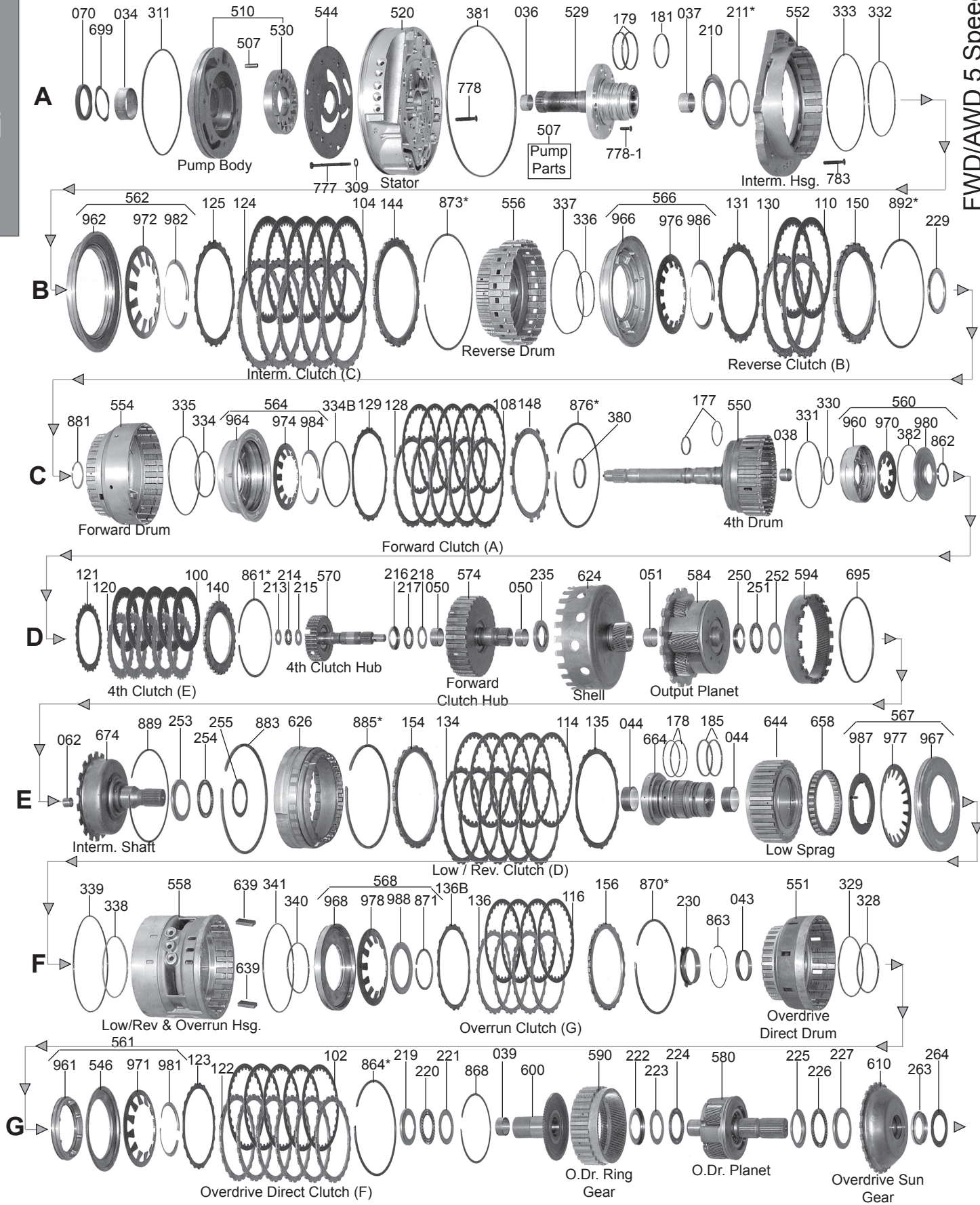




# ZF5HP19FL / ZF5HP19FLA (Audi / VW)

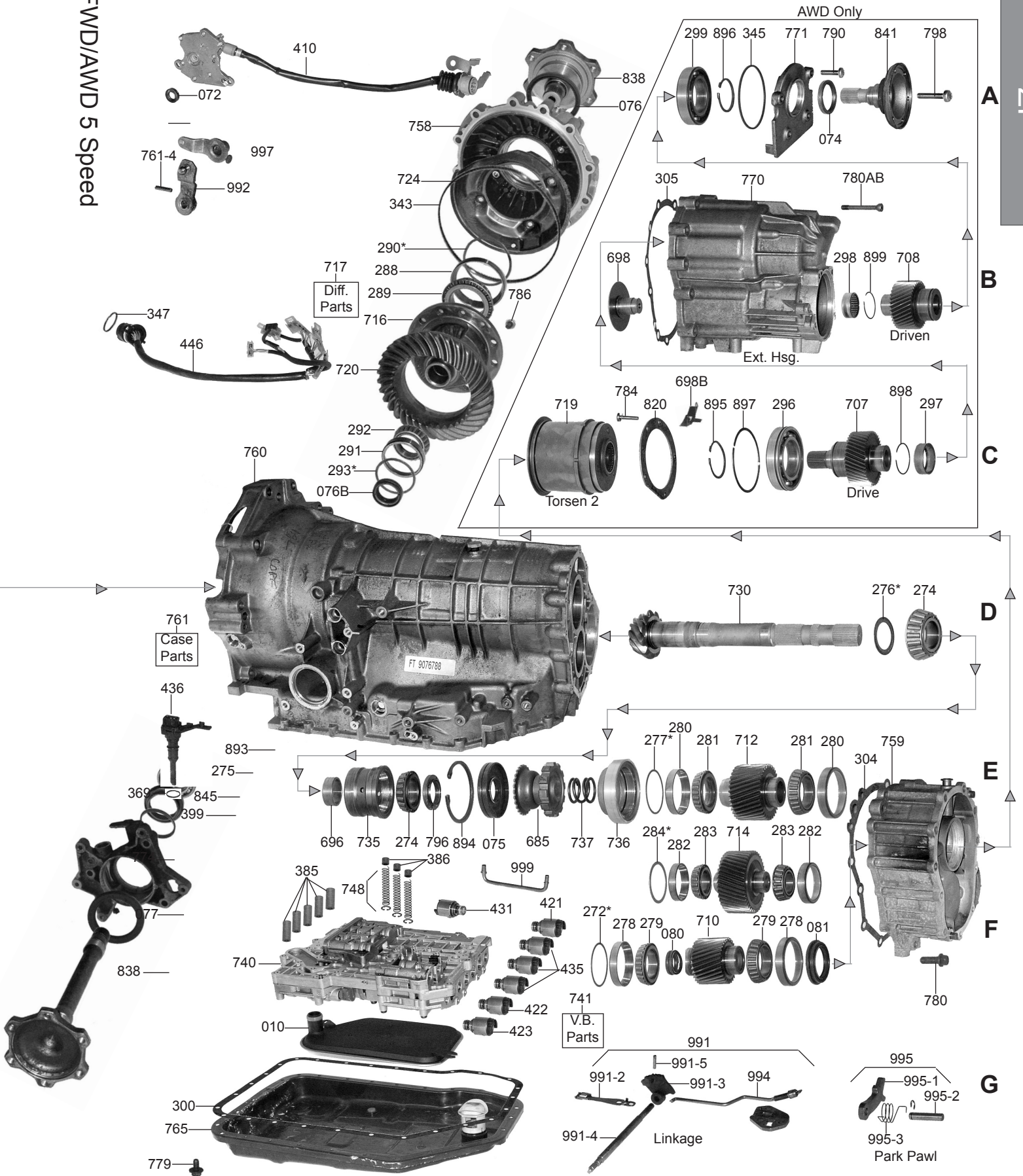
ZF

FWD/AWD 5 Speed



FWD/AWD 5 Speed

ZF





# ZF5HP19 / ZF5HP19FL / ZF5HP19FLA

ZF

RWD/FWD 5 Speed

PART #	OVERHAUL KIT	QTY	REFERENCE #
175002A	Overhaul Kit, ZF5HP19FL (Audi/Porsche/Volkswagen) 1994-Up	1	
175002AC	Overhaul Kit, ZF5HP19FLA (Audi/Volkswagen) (AWD) 1995-Up	1	
175002B	Overhaul Kit, ZF5HP19 (BMW) 1997-04	1	

PART #	MASTER L/STEELS KIT	QTY	REFERENCE #
175004A	Master L/Steels Kit, ZF5HP19FL (Audi/Porsche/VW) 1994-Up (For Units Ending In 049/059/072/088)	1	
175004AA	Master L/Steels Kit, ZF5HP19FL (Audi/Porsche/VW) 1994-Up (For Units Ending In 005/006/011/013/021/027/106)	1	
175004AC	Master L/Steels Kit, ZF5HP19FLA (Audi/VW) (AWD) 1995-Up (For Units Ending In 030/035/044/053/054/063/065/073/075/087/093/100/101/103)	1	
175004AD	Master L/Steels Kit, ZF5HP19FLA (Audi/VW) (AWD) 1995-Up (For Units Ending In 002/012/013/018/036)	1	
175004B	Master L/Steels Kit, ZF5HP19 (BMW) 1997-04	1	

PART #	MASTER W/STEELS KIT	QTY	REFERENCE #
175006A	Master W/Steels Kit, ZF5HP19FL (Audi/Porsche/VW) 1994-Up (For Units Ending In 049/059/072/088)	1	
175006AA	Master W/Steels Kit, ZF5HP19FL (Audi/Porsche/VW) 1994-Up (For Units Ending In 005/006/011/013/021/027/106)	1	
175006AC	Master W/Steels Kit, ZF5HP19FLA (Audi/VW) (AWD) 1995-Up (For Units Ending In 030/035/044/053/054/063/065/073/075/087/093/100/101/103)	1	
175006AD	Master W/Steels Kit, ZF5HP19FLA (Audi/VW) (AWD) 1995-Up (For Units Ending In 002/012/013/018/036)	1	
175006AE	Master W/Steels Kit, ZF5HP19FLA (Audi/VW) (AWD) 1995-Up (For Units Ending In 044/053/063/075/087/093/100/103)	1	
175006B	Master W/Steels Kit, ZF5HP19 (BMW) 1997-04	1	

PART #	FILTERS	QTY	REFERENCE #
175010B	Filter, ZF5HP19FL/FLA 1994-Up (Audi/VW)	1	
175010BB	Filter, ZF5HP19 (BMW) (RWD) 1997-Up	1	
175010C	Filter, ZF5HP19FL (Porche) 1998-Up	1	

PART #	BUSHINGS	QTY	REFERENCE #
175034A	Bushing, ZF5HP19/FL/FLA Pump Body (.530" Thick)(1.765"ID) 1994-Up	1	
S175034AX	Bushing, ZF5HP19FL/FLA Pump Body (Oversized) (Sonnax) 1994-Up (Pump Body Must Be Machined)(Fixes A Body With Spun Bushing)	1	
175036A	Bushing, ZF5HP19/FL/FLA Stator (Front)(.885"ID) 1994-Up	1	
175037A	Bushing, ZF5HP19/FL/FLA Stator (Rear)(1.004"ID) 1994-Up	1	
175038A	Bushing, ZF5HP19/FL/FLA 4th Clutch Drum (Rear)(.475"ID) 1994-Up	1	
175039A	Bushing, ZF5HP19/FL/FLA Overdrive Ring Gear Hub (Front)(1.028"ID) 1994-Up	1	
175043A	Bushing, ZF5HP19FL/FLA Overdrive Direct Drum (2.168"ID) 1994-Up	1	
175044A	Bushing, ZF5HP19/FL/FLA Low Sprag Inner Race (1.377"ID) Brass (Takes 2) 1994-Up	2	
175050A	Bushing, ZF5HP19/FL/FLA Forward Clutch Hub (.825"ID)(Brass) (Takes 2) 1994-Up	2	
175051A	Bushing, ZF5HP19/FL/FLA Shell (.400" Thick)(1.185"ID) 1994-Up	1	
175062A	Bushing, ZF5HP19/FL/FLA Intermediate Shaft (Front)(.475"ID) 1994-Up	1	

PART #	METAL CLAD SEALS	QTY	REFERENCE #
79070A	Seal, ZF5HP19 / ZF5HP19FL / ZF5HP19FLA Front	1	
175070B	Use 79070A	1	
175072A	Seal, ZF5HP19FL/FLA Manual Lever 1994-Up	1	
175074AB	Seal, ZF5HP19FLA (AWD) Extention Housing (2.060"OD) 1994-Up	1	
175074BA	Seal, ZF5HP19 (BMW) (2WD) Extension Housing (.308" Thick)(2.683"OD)(2.025"ID) 1997-Up	1	
175075A	Seal, ZF5HP19FL/FLA Pinion (Double Lip) (3.477"OD) 1994-Up	1	
175076A	Seal, ZF5HP19FL/FLA Axle (Differential Cover)(Passenger Side)(Outer)(3.550"OD) 1994-Up	1	
175076AB	Seal, ZF5HP19FL/FLA Long Axle Shaft To Case (Differential Side) (1 3/4"OD) 1994-Up	1	
175077A	Seal, ZF5HP19FL/FLA Axle (Drivers Side) (3.155"OD) 1994-Up	1	
175080A	Seal, ZF5HP19FLA (AWD) Drive Gear (Front) (1.495"OD) 1994-Up	1	
175081AB	Seal, ZF5HP19FLA (AWD) Drive Gear (Rear) (2.642"OD) 1994-Up	1	



# ZF5HP19 / ZF5HP19FL / ZF5HP19FLA

RWD/FWD 5 Speed

ZF

PART #	FRICION CLUTCH	QTY	REFERENCE #
175100A	Use 79100E	2	
79100E	Friction, ZF4HP19/FL/FLA 4th Clutch #100 (.063")(36 Teeth)(4.25"OD) 1994-Up	2	
175102A	Use 79104P	5	
79104P	Friction, ZF5HP19/FL/FLA Overrun Clutch #116 And Overdrive Direct Clutch #102 (.061) (5.310"OD) 1994-Up	4-14	
175104A	Friction, ZF5HP19/FL/FLA Intermediate Clutch (.062") 40 Teeth (6 5/8"OD) 1994-Up	5	
175108A	Friction, ZF5HP19/FL/FLA Forward Clutch (.058") 30 Teeth (5 3/4"OD) 1994-Up (Also Fits ZF5HP19/FL/FLA Low/Reverse Clutch #114 1994-Up)	5-11	
175110A	Friction, ZF5HP19/FL/FLA Reverse Clutch (.079") 30 Teeth (6 1/8"OD) 1994-Up	2	
175114A	Use 175108A	6	
175116A	Use 79104P	4-9	
175119A	Friction Module, ZF5HP19FL/FLA (Audi/VW) 1994-Up (For FL Units Ending In 034/037/038/041/042/043/044/045/046/049/059/061/064/065/070/072/079/080/081/082/084/085/086/087/088/089/090/091/092)(For FLA Units Ending In 094/100/101/102/103/104/107)	1	
175119AA	Friction Module, ZF5HP19FL/FLA (Audi/VW) 1994-Up (For FL Units Ending In 003/004/005/006/008 Thru 015/021/023 Thru 031/050/053/054/066/067/068/077/109/110/115)(For FLA Units Ending In 002/003/004/008/009/012 Thru 018/025/036/047/048/080)(For HL Units Ending In 002/003/004)(For HLA Units Ending In 002/003)	1	
175119B	Friction Module, ZF5HP19 (BMW) 1997-04	1	

PART #	STEEL CLUTCH	QTY	REFERENCE #
175120A	Use 79120E	5	
79120E	Pressure Plate, ZF5HP19/FL/FLA 4th Clutch (.071")(3.075"ID)(30 Teeth)(E Pack) 1994-Up	5	
175121A	Steel, ZF5HP19/FL/FLA 4th Clutch (.032") (28 Teeth) (3.385"ID) (Cushion) 1994-Up	1	
175122A	Steel, ZF5HP19/FL/FLA Overdrive Direct Clutch (.118") (24 Teeth) (4.725"ID) 1994-Up	6	
175123A	Use 175136BA	1	
175124A	Steel, ZF5HP19/FL/FLA Intermediate Clutch (.070") (24 Teeth) (5 3/4"ID) 1994-Up	5	
175124AB	Steel, ZF5HP19/FL/FLA Intermediate Clutch (.095") 1994-Up	5	
175124AC	Steel, ZF5HP19/FL/FLA Intermediate Clutch (.128") (24 Teeth) (5 3/4"ID) 1994-Up (Also Fits ZF5HP19/FL/FLA Pressure Plate #144 1994-Up)	5	
79124P	Steel, ZF5HP19/FL/FLA Overrun Clutch #136 (.071")(24 Teeth)(4.730"ID)(C Pack) 1994-Up	5	
175125A	Steel, ZF5HP19/FL/FLA Intermediate Clutch (.035") (24 Teeth) (5 3/4"ID) (Waved) 1994-Up	1	
175128A	Use 79128E	5-11	
79128E	Steel, ZF5HP19/FL/FLA Forward Clutch #128 (.071") 24 Teeth (5.200"ID) (A Pack) 1994-Up (Also Fits ZF5HP19FL/FLA Low/Reverse Clutch #134 1994-Up)	5-11	
175129A	Steel, ZF5HP19/FL/FLA Forward Clutch Cushion (.040") (22 Teeth) (5.205"ID) (Cushion) 1994-Up (Also Fits ZF5HP19/FL/FLA Low/Reverse Clutch #135 1994-Up)	1-2	
175130A	Steel, ZF5HP19/FL/FLA Reverse Clutch (.070") 24 Teeth (5 3/16"ID) 1994-Up	2	
175131A	Steel, ZF5HP19/FL/FLA Reverse Clutch Cushion (.032") 21 Teeth (5 3/16"ID) 1994-Up	1	
175131B	Steel, ZF5HP19 Reverse Clutch Cushion (.032")(24 Teeth)(5 3/16"ID) 1997-Up	1	
175134A	Use 79128E	5	
175135A	Use 175129A	1	
175136A	Use 79124P	4	
175136BA	Steel, ZF5HP19/FL/FLA Overrun Clutch Cushion (.035") (22 Teeth) 1994-Up (Also Fits ZF5HP19/FL/FLA Overdrive Direct Clutch #123 1994-Up)	1-2	
175139A	Steel Module, ZF5HP19FL/FLA (Audi/VW) 1994-Up (For Units Ending In 049/059/072/088 In The FL Series Or 030/035/054/065/073/101 In The FLA Series)	1	
175139AA	Steel Module, ZF5HP19FL/FLA (Audi/VW) 1994-Up (For Units Ending In 005/006/011/013/021/027/106 In The FL Series Or 002/012/013/018/036/044/053/063/075/087/093/100/103 In The FLA Series)	1	
175139B	Steel Module, ZF5HP19 (BMW) 1997-04	1	

PART #	PRESSURE PLATES	QTY	REFERENCE #
175140A	Pressure Plate, ZF5HP19/FL/FLA 4th Clutch (.138") 30 Teeth (3.070"ID) 1994-Up	1	
175144	Use 175214AC	1	
175144A	Pressure Plate, ZF5HP19FL/FLA Intermediate Clutch (.157") 24 Teeth (5 3/4"ID) 1994-Up	1	
175148A	Pressure Plate, ZF5HP19/FL/FLA Forward Clutch (.178") 24 Teeth (5 3/16"ID) 1994-Up (Also Fits ZF5HP19/FL/FLA Low/Reverse Clutch #154 1994-Up)	1-2	
175150A	Pressure Plate, ZF5HP19/FL/FLA Reverse Clutch (.177") 24 Teeth (5 3/16"ID) 1994-Up	1	
175154A	Use 175148A	1	
175156A	Pressure Plate, ZF5HP19/FL/FLA Overrun Clutch (.176") 24 Teeth (4.730"ID) 1994-Up	1	

PART #	VALVE BODY KITS	QTY	REFERENCE #
175165B	Valve Body Kit, ZF5HP19 (BMW) 1997-04	1	



# ZF5HP19 / ZF5HP19FL / ZF5HP19FLA

ZF

RWD/FWD 5 Speed

PART #	SEALING RINGS	QTY	REFERENCE #
175177AAT	Ring, ZF5HP19/FL/FLA 4th Clutch Drum Shaft (Rear)(1.086"OD)(Teflon) 1994-Up	1	
175177AT	Ring, ZF5HP19/FL/FLA 4th Clutch Drum Shaft (Front)(.968"OD)(Teflon) 1994-Up	1	
175178AR	Ring, ZF5HP19/FL/FLA Low/Reverse Clutch (Rubber) 1994-Up	2	
175179A	Ring, ZF5HP19/FL/FLA Stator (Reverse Clutch) 2.288"OD (Metal) 1994-Up	2	
175181A	Ring, ZF5HP19/FL/FLA Stator (Forward Clutch) 2.055"OD (Metal) 1994-Up	1	
175185AT	Ring, ZF5HP19/FL/FLA Overrun Clutch (2.155"OD)(Teflon) 1994-Up	2	

PART #	WASHERS & BEARINGS	QTY	REFERENCE #
175210A	Bearing W/Race, ZF5HP19/FL/FLA Stator To Reverse Drum (Beveled)(3.450"OD)(2.293"ID) 1994-Up	1	
175211AA	Shim, ZF5HP19/FL/FLA Stator To Reverse Drum (Selective)(2.830"OD)(2.405"ID) 1994-Up	1	
175213A	Race, ZF5HP19/FL/FLA 4th Clutch Drum To Hub (.039"Thick) (1.020"OD) 1994-Up (Also Fits ZF5HP19/FL/FLA Race #215 1994-Up)	2	
175214A	Bearing, ZF5HP19/FL/FLA 4th Clutch Drum To Hub (.078"Thick)(1.016"OD)(.475"ID) 1994-Up	1	
175215A	Use 175213A	1	
175216A	Cupped Race, ZF5HP19/FL/FLA 4th Clutch Hub To Forward Hub (.170"Thick)(1.462"OD) (.880"ID) 1994-Up	1	
175217A	Bearing, ZF5HP19/FL/FLA 4th Clutch Hub To Forward Hub (.079" Thick)(1.362"OD)(.834"ID) 1994-Up	1	
175218A	Race, ZF5HP19/FL/FLA 4th Clutch Hub To Forward Hub (.039" Thick)(1.359"OD)(.882"OD) 1994-Up	1	
175219A	Cupped Race, ZF5HP19/FL/FLA Overdrive Direct Drum To Hub (2.338"OD)(1.503"ID) 1994-Up (Also Fits ZF5HP19/FL/FLA Overdrive Ring Gear Hub To Overdrive Planet #222 1994-Up) Also Fits ZF5HP19 Overdrive Sun Gear To Park Gear # 265 1997-Up)	1-2	
175220A	Bearing, ZF5HP19/FL/FLA Overdrive Direct Drum To Hub (.118" Thick)(2.232"OD)(1.461"ID) 1994-Up (Also Fits ZF5HP19/FL/FLA Overdrive Ring Gear Hub To Overdrive Planet #223 1994-Up)(Also Fits ZF5HP19 Overdrive Sun Gear To Park Gear # 264 1997-Up)	1-2	
175221A	Race, ZF5HP19/FL/FLA Overdrive Direct Drum To Hub (.039" Thick)(2.180"OD)(1.466"ID) 1994-Up (Also Fits ZF5HP19/FL/FLA Overdrive Ring Gear Hub To Overdrive Planet #224 1994-Up)(Also Fits ZF5HP19 Overdrive Sun Gear To Park Gear # 263 1997-Up)	1-2	
175222A	Use 175219A	1	
175223A	Use 175220A	1	
175224A	Use 175221A	1	
175225A	Cupped Race, ZF5HP19/FL/FLA Overdrive Planet To Sun Gear (.238" Thick)(2.435"OD) (1.805"ID) 1994-Up	1	
175226A	Bearing, ZF5HP19/FL/FLA Overdrive Planet To Sun Gear (.117" Thick)(2.465"OD)(1.815"ID) 1994-Up	1	
175227A	Race, ZF5HP19/FL/FLA Overdrive Planet To Sun Gear (.190" Thick)(2.570"OD)(1.862"ID) 1994-Up	1	
175229A	Bearing W/Races, ZF5HP19/FL/FLA Reverse Drum To Forward Drum (.141" Thick)(2.955"OD) (2.295"ID) 1994-Up	1	
175230A	Race, ZF5HP19FL/FLA Overdrive Direct Drum Bushing (Front)(3 Outer Tabs)(.380" Thick) (2.280"ID) 1994-Up	1	
175233A	Caged Needle Bearing, ZF5HP19/FL/FLA Overdrive Direct Drum (Inner)(.270" Thick)(2.320"OD) 1994-Up	1	
175235A	Bearing W/Races, ZF5HP19/FL/FLA Forward Hub To Shell (.195" Thick)(1.955"OD)(1.216"ID) 1994-Up	1	
175250A	Race, ZF5HP19/FL/FLA Output Planet To Intermediate Shaft (.039" Thick)(1.930"OD)(1.181"ID) (Stepped) 1994-Up	1	
175251A	Bearing, ZF5HP19/FL/FLA Output Planet To Intermediate Shaft (.118" Thick)(1.917"OD)(1.266"ID) 1994-Up	1	
175252A	Race, ZF5HP19/FL/FLA Output Planet To Intermediate Shaft (.038" Thick)(2.027"OD)(1.340"ID) (Flat) 1994-Up	1	
175253A	Race, ZF5HP19/FL/FLA Intermediate Shaft To Low Sprag Inner Race (.038" Thick)(2.416"OD) (1.820"ID) 1994-Up	1	
175254A	Bearing, ZF5HP19/FL/FLA Intermediate Shaft To Low Sprag Inner Race (.118" Thick)(2.465"OD) (1.816"ID) 1994-Up	1	
175255A	Race, ZF5HP19/FL/FLA Intermediate Shaft To Low Sprag Inner Race (.040" Thick)(2.435"OD) (1.840"ID) (Stepped) 1994-Up	1	
175263A	Bearing W/Races, ZF5HP19FL/FLA Overdrive Sun Gear To Output Gear (.305" Thick)(2.040"OD) (1.305"ID) 1994-Up	1	
175263B	Use 175221A	1	
175264A	Spacer, ZF5HP19FL/FLA Overdrive Sun Gear To Output Gear (.275" Thick)(1.810"OD)(1.250"ID) 1994-Up	1	
175264B	Use 175220A	1	
175265B	Use 175219A	1	
175266B	Shim, ZF5HP19 Park Gear To Yoke Nut (.067" Thick)(1.650"OD)(1.340"ID) 1997-Up	1	



# ZF5HP19 / ZF5HP19FL / ZF5HP19FLA

RWD/FWD 5 Speed

ZF

175271B	Ball Bearing, ZF5HP19 Yoke To Extension Housing (16 Ball, Open Plastic Cage) 1997-Up	2
175272-1B	Inner Race Housing, ZF5HP19 Yoke To Extension Housing (.726" Thick)(2.203"OD)(1.650"ID) (Cast # SKF Italy BA2B833997AB) 1997-Up	1
175272AA	Shim, ZF5HP19FL/FLA Case To Drive Gear (Selective) 1994-Up	1
175272B	Inner Race, ZF5HP19 Yoke To Extension Housing (1.455" Thick)(2.955"OD) 1997-Up	2
175274A	Cone Bearing, ZF5HP19FL/FLA Pinion Shaft To Nut (XC2212CS) 1994-Up (19 Rollers) (1.620"ID)	1
175274AB	Cone Bearing, ZF5HP19FL/FLA Pinion Shaft To Race Assembly (XC09637CD) (18 Rollers) (1.620"ID) 1994-Up	1
175275A	Ball Bearing, ZF5HP19FL/FLA Axle Flange To Case (SKF 6007/C3)(2.442"OD)(1.375"ID) 1994-Up	1
175276AA	Shim, ZF5HP19FL/FLA Pinion (2.346"OD)(1.645"ID) 1994-Up	1
175277AA	Shim, ZF5HP19FL/FLA Driven Gear To Cup Race Retainer (Selective) 1994-Up	1
175278A	Cup Race, ZF5HP19FL/FLA Case To Drive Gear (2.995"OD) 1994-Up (Cast # LM503310/QCL7C SKF) Also Fits ZF5HP19FL/FLA Drive Gear To Cover 1994-Up	1-2
175279A	Cone Bearing, ZF5HP19FL Case To Drive Gear (1.819"ID) 1994-Up (Cast # LM503349/QCL7C SKF) Also Fits ZF5HP19FL/FLA Drive Gear To Cover 1994-Up	1-2
175279AB	Cone Bearing, ZF5HP19FLA (AWD) Drive Gear To Rear Cover (Cast # 32010X1Q SKF) 1994-Up	1
175280A	Cup Race, ZF5HP19FL/FLA Driven Gear (Both Sides) (LM503310) 1994-Up	2
175281A	Cone Bearing, ZF5HP19FL/FLA Driven Gear (Both Sides) (LM503349) 1994-Up	2
175282A	Cup Race, ZF5HP19FL/FLA Idler Gear (Both Sides) (LM48510) 1994-Up	2
175283A	Cone Bearing, ZF5HP19FL/FLA Idler Gear (Both Sides) (LM48548) 1994-Up	2
175284AA	Shim, ZF5HP19FL/FLA Case To Idler Gear (Selective) (2.542"OD) 1994-Up	1
175288A	Cup Race, ZF5HP19FL/FLA Differential To Cover (LM806610) 1994-Up	1
175289A	Cone Bearing, ZF5HP19FL/FLA Differential To Cover (LM806649) 1994-Up	1
175290AA	Shim, ZF5HP19FL/FLA Differential To Cover (3.477"OD) (Selective) 1994-Up	1
175291A	Cup Race, ZF5HP19FL/FLA Differential Bearing To Case (LM300811/Q) 1994-Up	1
175292A	Cone Bearing, ZF5HP19FL/FLA Differential To Case (LM300849/QCL7A) 1994-Up	1
175293AA	Shim, ZF5HP19FL/FLA Differential To Case (Selective) (2.664"OD) 1994-Up	1
175296AB	Ball Bearing, ZF5HP19FLA (AWD) Transfer Case Drive Gear (Front) 1994-Up	1
175297AB	Caged Needle Bearing, ZF5HP19FLA (AWD) Transfer Gear To Extension Housing (Cast # INA HK4016) (1.850"OD) 1994-Up	1
175298AB	Caged Needle Bearing, ZF5HP19FLA (AWD) Driven Transfer Case Gear (Front) (1.655"OD) (Cast # INA HK3516) 1994-Up	1
175299AB	Ball Bearing, ZF5HP19FLA (AWD) Driven Transfer Case Gear (3.545"OD) (Cast # SKF 6210/C3) 1994-Up	1

PART #	GASKETS & RUBBER COMPONENTS	QTY	REFERENCE #
175300A	Gasket, ZF5HP19FL/FLA (Audi/VW) Bottom Pan (Paper) 1994-Up	1	
175300B	Gasket, ZF5HP19 (BMW) (RWD) Bottom Pan (Paper) 1997-Up	1	
175309AK	Gasket, ZF5HP19/FL/FLA Pump Bolt Washer (9 Pieces) 1994-Up	9	
175311A	O-Ring, ZF5HP19/FL/FLA Pump Body 1994-Up	1	
175320B	Gasket, ZF5HP19 Valve Body (Main) 1997-04	1	
175381A	O-Ring, ZF5HP19FL/FLA (Audi/VW) Stator Body 1994-Up	1	
175381B	O-Ring, ZF5HP19 (BMW) Stator Body 1997-04	1	
175385A	Seal, ZF5HP19FL/FLA Sealing Sleeve (Valve Body To Stator) 1994-Up	5	
175386A	Seal, ZF5HP19FL/FLA (Goes Into Case Above Valve Body, For Low/Reverse & Overrun Clutch Housing) 1994-Up	3	

PART #	TECHNICAL MANUALS	QTY	REFERENCE #
175400A	Repair Manual, ZF5HP19FL/FLA (FWD)(Audi/Volkswagen)	1	
159400A-1	Valve Body Manual, All ZF 5 Speeds	1	
175400AFD	Manual, ZF5HP19FL/FLA (Audi) Function Description 1994-Up	1	
175400B	Repair Manual, ZF5HP19 (BMW) RWD	1	
175400BFD	Manual, ZF5HP19 (BMW) Function Description 1997-04	1	

PART #	ELECTRICAL COMPONENTS	QTY	REFERENCE #
175410A	Switch, ZF5HP19FL/FLA PRNDL (2 Bolt) (9 Pin Square Connector) 1994-Up	1	
175410AB	Switch, ZF5HP19FL/FLA PRNDL (2 Bolt) (8 Pin Round Connector) 1994-Up	1	
175420A	Solenoid Kit, ZF5HP19/FL/FLA 1994-Up (Contains: 3 Shift, 4 EPC Solenoids With O-Rings) (ZF5HP19 Units Ending In 005/008/009/010)(ZF5HP19FL Units Ending In 049/059/072/088/106) (ZF5HP19FLA Units Ending In 030/035/044/053/054/063/065/073/075/087/093/100/101/103)	1	
185420A	Solenoid Kit, ZF5HP19FL (Units Ending In 030/050/053)	1	
175420B	Solenoid Kit, ZF5HP19FL/FLA 1994-Up (Contains: 3 Shift, 4 EPC Solenoids With O-Rings) (ZF5HP19FL Units Ending In 005/006/011/013/021/027)(ZF5HP19FLA Units Ending In 002/012 /013/018/036)	1	





# ZF5HP19 / ZF5HP19FL / ZF5HP19FLA

ZF

RWD/FWD 5 Speed

PART #	ELECTRICAL COMPONENTS (Continued)	QTY	REFERENCE #
175436A	Sensor, ZF5HP19FL/FLA (Audi) Output Speed (On Outside Of The Case) 1994-Up	1	
179436A	Sensor, ZF5HP19 (All) Input Speed (Also Fits ZF5HP19FL Input Speed (Units Ending In 005/006/ 011/013/021/027)(Also Fits ZF5HP19FLA Input Speed Units Ending In 002/012/013/018/036)	2	
185436A	Sensor, ZF5HP19FL/FLA Output Speed (In The Speed-O Cover)	1	
175436AA	Sensor, ZF5HP19/FL/FLA Output Speed (Goes Through Valve Body)(ZF5HP19 (All) (ZF5HP19FL Units Ending In 049/059/072/088)(ZF5HP19FLA Units Ending In 030/035/044/053/054/063/065/073/075/087/093/100/101/103)	1	
175437A	Sensor, ZF5HP19FL/FLA Temperature (On Valve Body) 1994-Up	1	
175446A	Wire Harness, ZF5HP19FL/FLA Internal W/16 Prong Case Connector (W/2 Two Wire Connectors & 7 Three Wire Connectors) 1994-Up	1	
175446B	Wire Harness, ZF5HP19 (Internal W/16 Prong Case Connectors)(With 7 Yellow 2 Prong, 1 Brown 2 Prong, & 1 Black 2 Prong Connector) 1997-Up	1	

PART #	MISCELLANEOUS PARTS	QTY	REFERENCE #
175492B	Drain Plug, ZF5HP19 (.660" Long)(1.100"OD Of Allen Head) 1997-Up	1	
175493B	Fill Plug, ZF5HP19 (.675" Long)(.945"OD Of Allen Head) 1997-Up	1	

PART #	HARD PARTS	QTY	REFERENCE #
175510A	Pump Body W/Gears, ZF5HP19FL/FLA (Cast # 1060 410 061) 1994-Up (14 Teeth Inner Gear) (.551" Thick)	1	
175510B	Pump Body W/Gears, ZF5HP19 (BMW) (Cast # 1060 410 017) 1997-Up	1	
175510BA	Pump Body W/Gears, ZF5HP19 (BMW) (Cast # 1060 610 014) 1997-Up	1	
175520A	Stator, ZF5HP19FL/FLA (Pump Cover) Aluminum (Cast # 1060 410 083)(Does Not Include #529 Shaft) 1994-Up	1	
175520B	Stator, ZF5HP19 (Pump Cover) Aluminum (Cast # 1060 410 078)(Does Not Include #529 Shaft) 1997-Up	1	
175529A	Stator Shaft, ZF5HP19FL/FLA (Cast # 1056 410 084) 1994-Up	1	
175529AA	Stator Shaft, ZF5HP19FL/FLA (Cast # 1056 410 118) 1994-Up	1	
175529AB	Stator Shaft, ZF5HP19FL/FLA (Cast # 1056 410 095) 1994-Up	1	
175529B	Stator Shaft, ZF5HP19 (Cast # 1056 410 096) 1997-Up	1	
175530A	Pump Gear Set, ZF5HP19/FL/FLA (.551" Thick)(14 Inner Teeth)(17 Outer Teeth)(2 Lugs) 1994-Up	1	
175540-1B	Valve, ZF5HP19 Flow Control (Aluminum)(2.350" Long)(.695"OD) 1997-Up	1	
175540-2B	Tube, ZF5HP19 Flow Control Valve (1.850" Long)(.550"OD)(9 Slots, 3 Fingers) 1997-Up	1	
175540-3B	Spring, ZF5HP19 Flow Control Valve (3.220" Long)(.648"OD) 1997-Up	1	
175540-7B	Tube, ZF5HP19 Valve Body To Pump Stator (1.402" Long)(Plastic)(Uses 2 O-Rings) 1997-Up	2	
175544A	Plate, ZF5HP19FL/FLA (Audi) Pump (Cast # 1060 310 091) 1994-Up	1	
175544B	Plate, ZF5HP19 (BMW) Pump (Cast # 1056 310 123) 1997-Up	1	

PART #	PUMP COMPONENTS	QTY	REFERENCE #
175507A-3	Pin, ZF5HP19/FL/FLA Pump Alignment (.315"OD)(.880" Long)(Hollow) 1994-Up	1	
175507B-2	Sleeve, ZF5HP19 (BMW) Pump Stator 1997-04	2	

PART #	HARD PARTS (Continued)	QTY	REFERENCE #
175546A	Apply Ring, ZF5HP19/FL/FLA Overdrive Direct Clutch (.460" Thick)(5.285"OD)(4.685"ID)(Steel) 1994-Up	1	
175550A	Drum W/Shaft, ZF5HP19/FL/FLA 4th Clutch (Stamped Steel) (5 Clutch) (10 1/4" Overall Length) 1994-Up	1	
175551A	Drum, ZF5HP19/FL/FLA Overdrive Direct Clutch (With Internal Bearing) 1994-Up (ZF5HP19 Units Ending In 005/009/010)(ZF5HP19FL Units Ending In 005/006/011/ 021/027/059/088)(ZF5HP19FLA Units Ending In 002/012/013/035/036/044/058/063/065/ 075/087/093/100/103)	1	
175551AA	Drum, ZF5HP19/FL/FLA Overdrive Direct Clutch (With Internal Bearing) 1994-Up (ZF5HP19 Units Ending In 008)(ZF5HP19FL Units Ending In 013/049/072) (ZF5HP19FLA Units Ending In 018/030/054/073/101)	1	
175551AB	Drum, ZF5HP19FL/FLA Overdrive Direct Clutch (With Internal Bushing)(4 Clutch)(Snap Ring Is .460" From Top)(Cast # 1056 477 040) 1994-Up	1	
175551AC	Drum, ZF5HP19FL/FLA Overdrive Direct Clutch (With Internal Bushing)(5 Clutch)(Snap Ring Is .275" From Top)(Cast # 1056 477 040) 1994-Up	1	
175552A	Housing, ZF5HP19FL/FLA Intermediate Clutch (Cast # 1060 410 104) 1994-Up	1	
175552AB	Housing, ZF5HP19FL/FLA Intermediate Clutch (Cast # 1056 410 109) 1994-Up	1	
175552B	Housing, ZF5HP19 Intermediate Clutch (Cast # 1060 410 068) 1997-Up	1	
175554A	Drum, ZF5HP19FL/FLA Forward Clutch (5 Clutch) (Cast # 1060 470 043) Aluminum (Without A Magnetic Strip Around The Drum) 1994-Up	1	



# ZF5HP19 / ZF5HP19FL / ZF5HP19FLA

RWWD/FWD 5 Speed

ZF

17554AA.....	Drum, ZF5HP19FL/FLA Forward Clutch (5 Clutch) (Cast # 1060 470 043) Aluminum (With A Magnetic Strip Around The OD Of The Drum) 1994-Up .....	1
175556A.....	Drum, ZF5HP19FL/FLA Reverse Clutch (Stamped Steel) (2 Clutch) 1994-Up .....	1
175558A.....	Housing, ZF5HP19FL/FLA (Audi) Low/Reverse & Overrun Clutch (D&G) 1994-Up (ZF4HP19FL Units Ending In 005/006/011/021/027)(ZF5HP19FLA Units Ending In 002/012/013/036)(From The Edge Of Drum To Snap Ring Groove On Overrun Side Is .180").....	1
179558A.....	Drum, ZF5HP19 (BMW) Low/Reverse & Overrun Clutch 1995-Up (For Units Ending In 005/009/010)(With 3 Threaded Bolt Holes).....	1
175558AA.....	Housing, ZF5HP19FL/FLA (Audi) Low/Reverse & Overrun Clutch (D & G) 1994-Up (ZF5HP19FL Units Ending In 013/049/072)(ZF5HP19FLA Units Ending In 018/030/054/073/101) (From The Edge Of Drum To Snap Ring Groove On Overrun Side Is .285").....	1
175558AB.....	Housing, ZF5HP19FL/FLA (Audi) Low/Reverse & Overrun Clutch (D&G) 1994-Up (ZF5HP19FL Units Ending In 059/088)(ZF5HP19FLA Units Ending In 035/044/053/063/065/075 087/093/100/103)(From The Edge Of Drum To Snap Ring Groove On Overrun Side Is .140") (From The Edge Of Drum To Snap Ring Groove On Low/Reverse Side Is .245").....	1
175558AC.....	Housing, ZF5HP19FL/FLA (Audi) Low/Reverse & Overrun Clutch (D & G) 1994-Up (From The Edge Of Drum To Snap Ring Groove On Overrun Side Is .140")(From The Edge Of Drum To Snap Ring Groove On Low/Reverse Side Is .380") .....	1
175560A.....	Piston Kit, ZF5HP19/FL/FLA 4th Clutch (Cast # 1056 471 061C) 1994-Up.....	1
175561A.....	Piston Kit, ZF5HP19/FL/FLA Overdrive Direct Clutch (Cast # 1056 477 038)(4 Pieces) 1994-Up.....	1
175562A.....	Piston Kit, ZF5HP19/FL/FLA Intermediate Clutch (Cast # 1056 410 081) 1994-Up .....	1
175564A.....	Piston Kit, ZF5HP19/FL/FLA Forward Clutch (Cast # 1056 470 050) 1994-Up .....	1
175566A.....	Piston Kit, ZF5HP19/FL/FLA Reverse Clutch (Cast # 1060 472) 1994-Up .....	1
175567A.....	Piston Kit, ZF5HP19/FL/FLA Low/Reverse Clutch (Piston Cast # 1050 417 050)(3 Pieces) 1994-Up .....	1
175568A.....	Piston Kit, ZF5HP19/FL/FLA Overrun Clutch (Cast # 1060 473 013) (4 Pieces) 1994-Up .....	1
175570A.....	Hub W/Shaft, ZF5HP19/FL/FLA 4th Clutch (36 Teeth Hub) (5.025" Long) 1994-Up .....	1
175574A.....	Clutch Hub, ZF5HP19/FL/FLA Forward Clutch (30 Teeth Hub) (3.275" Long) (5.100"OD) 1994-Up .....	1
175580A.....	Planet, ZF5HP19FL (2WD) Overdrive (6 1/16" Long) (1 Groove On Each Gear) 1994-Up .....	1
175580AB.....	Planet, ZF5HP19FLA (AWD) Overdrive (10 3/4" Long)(1 Groove On Each Gear) 1994-Up .....	1
175580B.....	Planet, ZF5HP19 (2WD) Overdrive (6 1/8" Long) (1 Groove On Each Gear) (With Snap Ring Groove In Splines) 1997-Up.....	1
175584A.....	Planet, ZF5HP19FL/FLA Output (Uses A 34 Teeth Sun Gear) (16 Lugs On Outer Diameter) (6 Gear With 2 Grooves Each) 1994-Up .....	1
175584B.....	Planet, ZF5HP19 Output (Uses A 34 Teeth Sun Gear)(16 Lugs On Outer Diameter)(6 Gear With 1 Groove On Each) 1997-Up .....	1
175590A.....	Ring Gear, ZF5HP19FL/FLA Overdrive Planet (76 Teeth) (30 Lugs) 1994-Up .....	1
175594A.....	Ring Gear, ZF5HP19FL/FLA Output Planet (98 Teeth) (18 Lugs) (With 3 Identification Rings On The Outside Diameter) 1994-Up .....	1
175594B.....	Ring Gear, ZF5HP19 Output Planet (98 Teeth)(18 Lugs)(With 1 Identification Ring On The Outside Diameter) 1997-Up .....	1
175600A.....	Hub, ZF5HP19FL/FLA Overdrive Ring Gear (1.703" Thick) 1994-Up.....	1
175610A.....	Sun Gear, ZF5HP19/FL/FLA Overdrive (32 Teeth) With 24 Lug Hub 1994-Up.....	1

PART #	SPRAGS & ONE WAY CLUTCHES	QTY	REFERENCE #
175624A.....	Shell, ZF5HP19FL/FLA (With 34 Teeth Sun Gear)(24 Drive Lugs)(Non-Ferrous Metal, Non-Magnetic) 1994-Up.....	1	
175624B.....	Shell, ZF5HP19 (34 Teeth, 1 Groove Sun Gear)(24 Drive Lugs)(Non-Ferrous Metal, Non-Magnetic) 1997-Up.....	1	
175626A.....	Shell, ZF5HP19/FL/FLA Connecting (Cast # 1050 417 060) Aluminum (2.057" Thick) (No Reluctor) 1994-Up .....	1	
175626AA.....	Shell, ZF5HP19FL/FLA Connecting (Cast # 1056 432 084) Aluminum (2.057" Thick) (With Reluctor Or Built In Pulse Generator) .....	1	
175639A.....	Key, ZF5HP19FL/FLA Low/Reverse & Overrun Clutch Housing 1994-Up.....	2	
175644A.....	Sprag Assembly, ZF5HP19FL/FLA Low Sprag With Outer Race 1994-Up (ZF5HP19FL Units Ending In 005/006/011/013/021/027)(ZF5HP19FLA Units Ending In 002/012/013/018/036) .....	1	
175644AA.....	Sprag Assembly, ZF5HP19FL/FLA Low Sprag With Outer Race 1994-Up (ZF5HP19 All) (ZF5HP19FL Units Ending In 049/059/072/088)(ZF5HP19FLA Units Ending In 030/035/044/053/ 054/063/073/075/087/093/100/101/103).....	1	
175658A.....	Sprag, ZF5HP19/FL/FLA Low (34 Elements, .505" Thick) (Plastic Cage) 1994-Up (Can Use 175644A Or 175644AA).....	1	
175664A.....	Race, ZF5HP19/FL/FLA Low Sprag (Inner)(3.900" Long) 1994-Up (Used With Bearing Type Drum #551) .....	1	
175664AA.....	Race, ZF5HP19FL/FLA Low Sprag (Inner)(3.900" Long) 1994-Up (Used With Bushing Type Drum #551) .....	1	



# ZF5HP19 / ZF5HP19FL / ZF5HP19FLA

ZF

RWD/FWD 5 Speed

PART #	HARD PARTS (Continued)	QTY	REFERENCE #
175674A	Intermediate Shaft, ZF5HP19/FL/FLA (18 Lugs)(4 3/8" Tall) 1994-Up	1	
175685A	Park Gear, ZF5HP19FL/FLA (12 Lugs, 27 Teeth Reluctor) 1994-Up	1	
175685B	Park Gear, ZF5HP19 (16 Lugs)(36 Teeth Reluctor)(1.900" Thick) 1997-Up	1	
175695A	Spacer Ring, ZF5HP19FL/FLA Ring Gear To Intermediate Shaft (.079"Thick)(Early Models Only)	1	
175696A	Crush Sleeve, ZF5HP19FL/FLA Pinion (.706" Thick) 1994-Up	1	
175698AB	Bracket, ZF5HP19FLA (AWD) Holds Flange Plate To Extension Housing 1994-Up	1	
175698AC	Retainer, ZF5HP19FLA (AWD) Driven Transfer Gear (W/Threaded Center Hole) (With Flange) 1994-Up	1	
175699B	Disc, ZF5HP19/FL/FLA Front Seal (.085" Thick)(1.775"ID) 1997-Up	1	
175707AB	Drive Gear, ZF5HP19FLA (AWD) Transfer (41 Teeth) (5.110" Long) 1994-Up	1	
175708AB	Driven Gear, ZF5HP19FLA (AWD) Transfer Case (37 Teeth) 1994-Up	1	
175710A	Gear, ZF5HP19FL (2WD) Drive Transfer (35 Teeth) 1994-Up	1	
175710AB	Gear, ZF5HP19FLA (AWD) Drive Transfer (20 Teeth) 1994-Up	1	
175712A	Gear, ZF5HP19FL/FLA Driven Transfer (35 Teeth, 3.740" Long) 1994-Up	1	
175714A	Gear, ZF5HP19FL/FLA Idler (41 Teeth, 3.485" Long) 1994-Up	1	
175716A	Housing, ZF5HP19FL/FLA Differential (12 Bolt) 1994-Up	1	
175719AB	Torsen 2 Assembly, ZF5HP19FLA (AWD) (3 Sets Of ID Splines) 1994-Up	1	
175720A	Ring Gear, ZF5HP19FL (2WD) Differential (34 Teeth, 12 Bolts) 1994-Up	1	
175720AB	Ring Gear, ZF5HP19FLA (AWD) Differential (32 Teeth, 12 Bolts) 1994-Up	1	
175724A	Oil Deflector, ZF5HP19FL/FLA Differential (Tin) (7 7/16"OD) 1994-Up	1	
175730A	Pinion, ZF5HP19FL (2WD) Shaft (10 Teeth) (14 1/2" Long) 1994-Up	1	
175730AB	Pinion, ZF5HP19FLA (AWD) Shaft (11 Teeth) (14 1/2" Long) 1994-Up	1	
175735A	Race Assembly, ZF5HP19FL/FLA Pinion Bearing Retainer (Bearing Races Are Made Into The Retainer) 1994-Up	1	
175736A	Retainer, ZF5HP19FL/FLA Driven Cup Race (Aluminum, 3.940"OD) 1994-Up	1	
175737A	Spring, ZF5HP19FL/FLA Park Gear To Aluminum Retainer (1.695"OD) 1994-Up	1	
175740A	Valve Body, ZF5HP19FL/FLA (7 Solenoids, 1 Blue, 3 Green & 3 Black) 1994-Up	1	
175740AA	Valve Body, ZF5HP19FL/FLA (7 Solenoids, 1 Yellow, 3 Green & 3 Black) 1994-Up	1	
175740B	Valve Body, ZF5HP19 (BMW) (7 Solenoids, 1 Yellow, 3 Green & 3 Black)(Uses 2 Large Tubes #540-7 Valve Body To Stator) 1994-Up	1	

PART #	VALVE BODY COMPONENTS	QTY	REFERENCE #
175748AK	Spring Set, ZF5HP19FL/FLA (3 Springs, 3 Seals & 3 Snap Rings) Goes Into Case Above Valve Body, For Low/Reverse & Overrun Clutch) 1994-Up	1	

PART #	HARD PARTS (Continued)	QTY	REFERENCE #
175758A	Cover, ZF5HP19FL/FLA Differential (Aluminum, 12 Bolt) (Cast # 1060 435 079) 1994-Up (With Drain Plug)	1	
175759A	Rear Cover, ZF5HP19FL (2WD) (No Vent) 1994-Up	1	
175759AB	Cover, ZF5HP19FLA (AWD) Transfer Gear (With Vent) 1994-Up	1	
175760A	Case, ZF5HP19FL/FLA (27 Pan Bolts) 1994-Up	1	
175760B	Case, ZF5HP19 (BMW) (22 3/4" Long) 1997-Up	1	
175765A	Pan, ZF5HP19 Bottom (27 Bolt, With 2 Plugs) 1995-Up	1	
175770AB	Extension Housing, ZF5HP19FLA (AWD) (Aluminum, 8 1/4" Long) 1994-Up	1	
175770B	Extension Housing, ZF5HP19 (2WD) (2.682" Long)(7 Bolts To Case) 1997-Up	1	
175771AB	Rear Seal Housing, ZF5HP19FLA (AWD) (Aluminum, 4 Bolt) 1994-Up	1	
175774A	Retainer, ZF5HP19FL/FLA Axle Seal (Aluminum, 3 Bolts To Case) 1994-Up	1	
175777AK	Bolt Set, ZF5HP19FL/FLA Holds Pump Housing To Case (9 Pieces) 1994-Up	1	
175777BK	Bolt Set, ZF5HP19 Pump Housing To Case (9 Pieces) 1994-Up	1	
175778-1AK	Bolt Set, ZF5HP19FL/FLA Stator Shaft To Cover (7 Pieces) 1994-Up	1	
175778-1BK	Bolt Set, ZF5HP19 Stator To Pump Cover (7 Pieces) 1997-Up	1	
175778AK	Bolt Set, ZF5HP19FL/FLA Pump Body To Pump Cover (8 Pieces) 1994-Up	1	
175778BK	Bolt Set, ZF5HP19 Pump Body To Pump Cover (8 Pieces) 1997-Up	1	
175779AK	Bolt Set, ZF5HP19FL/FLA Holds Pan To Case (27 Pieces) 1994-Up	1	
175780AK	Bolt Set, ZF5HP19FL (2WD) Holds Rear Cover To Case (14 Pieces) 1994-Up	1	
175780ABK	Bolt Set, ZF5HP19FLA (AWD) Extension Housing To Rear Cover (11 Pieces) 1994-Up	1	
175781BK	Bolt Set, ZF5HP19 Extension Housing To Case (7 Pieces) 1997-Up	1	
175782AK	Bolt Set, ZF5HP19FL/FLA Holds Valve Body To Case (16 Pieces) 1994-Up	1	
175782BK	Bolt Set, ZF5HP19 Valve Body To Case (14 Pieces) 1997-Up	1	
175783AK	Bolt Set, ZF5HP19FL/FLA Holds Intermediate Housing To Stator (3 Pieces) 1994-Up	1	
175783BK	Bolt Set, ZF5HP19 Holds Intermediate Housing To Stator (2 Pieces) 1997-Up	1	
175784AK	Bolt Set, ZF5HP19FLA (AWD) Holds Flange Plate To Extension Housing (5 Pieces) 1994-Up	1	
175785AK	Bolt Set, ZF5HP19FL/FLA Holds Differential Cover To Case (12 Pieces) 1994-Up	1	
175786AK	Bolt Set, ZF5HP19FL/FLA Differential Ring Gear (12 Pieces) 1994-Up	1	
175787A	Bolt, ZF5HP19FL/FLA Holds Pinion Retainer (#735) In Case 1994-Up	1	
175788BK	Bolt Set, ZF5HP19 Low/Reverse & Overrun Clutch Housing To Case (3 Pieces) 1997-Up	1	



# ZF5HP19 / ZF5HP19FL / ZF5HP19FLA

RWD/FWD 5 Speed

175790ABK	Bolt Set, ZF5HP19FLA (AWD) Extention Housing To Transfer Gear Cover (4 Pieces) 1994-Up	1
175793AK	Bolt Set, ZF5HP19FL/FLA Holds Oil Deflector To Differential Cover (3 Pieces) 1994-Up	1
175795B	Nut, ZF5HP19 Holds Yoke To Extension Housing (.528" Thick)(1.520"ID)(With 4 Notches) 1997-Up	1
175796A	Nut, ZF5HP19 Pinion (2.200"OD) (1.515"ID) (4 Holes) 1995-Up	1
175798AB	Bolt, ZF5HP19FLA (AWD) Flange (Yoke) (2 11/16" Long) 1994-Up	1
175820AB	Flange Plate, ZF5HP19FLA (AWD) (5 Bolt)(.120" Thick) 1994-Up	1
175838A	Axle Flange, ZF5HP19FL/FLA Drivers Side (14 3/8" Long) 1994-Up	1
175838AB	Axle Flange, ZF5HP19FL/FLA Passengers Side (3 1/8" Long) 1994-Up	1
175841AB	Flange, ZF5HP19FLA (Audi)(AWD)(Yoke) Rear 1994-Up	1
175841B	Yoke, ZF5HP19 (BMW)(2WD) Rear (5.155" Long)(Threaded On Front)(3 Bolt) 1997-Up	1
175843B	Clip, ZF5HP19 Holds Wire Harness Case Connector To Case (1.565" Tall)(1.705" Wide) (1.173"ID) 1997-Up	1
175845A	Spacer, ZF5HP19FL/FLA Axle Seal To Bearing (Plastic) (Cast # 0501 315 012) 1994-Up	1
175861AA	Snap Ring, ZF5HP19FL/FLA Holds 4th Clutch Pressure Plate In (Selective)(3.070"ID) 1994-Up	1
175862A	Snap Ring, ZF5HP19/FL/FLA Holds 4th Clutch Retainer In Drum (.067" Thick)(1.655"OD) (With 2 Eyelets) 1994-Up	1
173863A	Snap Ring, ZF5HP19FL/FLA Holds Race #230 To Overdrive Direct Drum (.057" Thick) (2.870"OD) 1994-Up	1
175864A	Use 175870	1
175868A	Snap Ring, ZF5HP19/FL/FLA Holds Overdrive Direct Hub To Ring Gear (.057" Thick) (4.268"OD) 1994-Up	1
175870AA	Snap Ring, ZF5HP19FL/FLA Holds Overrun Clutch Pressure Plate In (Selective) (5.780"OD) 1994-Up (Also Fits ZF5HP19/FL/FLA Overdrive Direct Clutch #864 1994-Up)	1
175871A	Snap Ring, ZF5HP19/FL/FLA Holds Overrun Clutch Retainer In (.064"Thick)(2.475"OD) 1994-Up	1
175873AA	Snap Ring, ZF5HP19/FL/FLA Holds Intermediate Pressure Plate In (Selective) 1994-Up	1
175876AA	Snap Ring, ZF5HP19/FL/FLA Holds Forward Pressure Plate In (Selective)(6 5/16"OD) 1994-Up	1
175881A	Snap Ring, ZF5HP19/FL/FLA Holds Forward Drum To 4th Drum (.058" Thick)(1.700"OD) (With 2 Eyelets) 1994-Up	1
175883A	Snap Ring, ZF5HP19FL/FLA Holds Connecting Drum # 626 In Case (.108" Thick)(6 11/16"OD) Beveled (W/2 Eyelets) 1994-Up	1
175885AA	Snap Ring, ZF5HP19/FL/FLA Holds Low/Reverse Clutch Pressure Plate In (Selective) (6 5/16"OD) 1994-Up	1
175889A	Snap Ring, ZF5HP19/FL/FLA Holds Ring Gear To Intermediate Shaft (.062" Thick)(5.645"OD) 1994-Up	1
175892AA	Snap Ring, ZF5HP19/FL/FLA Holds Reverse Clutch Pressure Plate In (Selective) (6 1/2"OD) 1994-Up	1
175893A	Snap Ring, ZF5HP19FL/FLA Holds Ball Bearing On Axle Flange Shaft 1994-Up	1
175895AB	Snap Ring, ZF5HP19FLA (AWD) Holds Bearing To Transfer Case Drive Gear (.077" Thick) (W/2 Eyelets) 1994-Up	1
175895B	Snap Ring, ZF5HP19 Holds Park Gear To Overdrive Planet Shaft (.057" Thick)(1.285"OD) 1997-Up	1
175896AB	Snap Ring, ZF5HP19FLA (AWD) Holds Bearing To Driven Transfer Gear (.116" Thick) (W/2 Eyelets) 1994-Up	1
175897A	Snap Ring, ZF5HP19FL/FLA Holds Pinion Retainer In Case 1994-Up (W/2 Eyelets)	1
175897AB	Snap Ring, ZF5HP19FLA (AWD) Holds Ball Bearing To Extension Housing 1994-Up	1
175897B	Snap Ring, Holds Ball Bearing #271 To Extension Housing (.096" Thick)(3.145"OD) (With 2 Eyelets) 1994-Up	1
175898AB	Snap Ring, ZF5HP19FLA (AWD) Holds Drive Transfer Case Gear Bearing (Rear) In Extension Housing (.056" Thick) 1994-Up	1
175899AB	Snap Ring, ZF5HP19FLA (AWD) Holds Driven Transfer Case Gear Bearing (Front) In Extension Housing (.056" Thick) 1994-Up	1
175960A	Piston, ZF5HP19/FL/FLA 4th Clutch (Aluminum) (Cast # 1056 471 061C) 1994-Up	1
175961A	Piston, ZF5HP19/FL/FLA Overdrive Direct Clutch (Cast # 1056 477 038) 1994-Up	1
175962A	Piston, ZF5HP19/FL/FLA Intermediate Clutch (Cast # 1056 410 081) 1994-Up	1
175964A	Piston, ZF5HP19/FL/FLA Forward Clutch (Aluminum) (Cast # 1056 470 050) (8 Oval Holes) 1994-Up	1
175966A	Piston, ZF5HP19/FL/FLA Reverse Clutch (Cast # 1060 472) (Aluminum) 1994-Up	1
175967A	Piston, ZF5HP19/FL/FLA Low/Reverse Clutch (Cast # 1050 417 050) (Aluminum) 1994-Up	1
175968A	Piston, ZF5HP19/FL/FLA Overrun Clutch (Cast # 1060 473 013) (Aluminum) 1994-Up	1
175970A	Spring, ZF5HP19/FL/FLA 4th Clutch Return (.060" Thick) (8 Fingers) (3.550"OD) 1994-Up	1
175971A	Spring, ZF5HP19/FL/FLA Overdrive Direct Clutch Return (.060" Thick)(4.680"OD)(Beveled) (12 Fingers) 1994-Up	1
175972A	Spring, ZF5HP19/FL/FLA Intermediate Clutch Return (Beveled) (12 Fingers) (.058" Thick) (5.163"OD) 1994-Up	1
175974A	Spring, ZF5HP19/FL/FLA Forward Clutch Return (.058" Thick)(2.265"OD)(12 Fingers) (Beveled) 1994-Up	1
175976A	Spring, ZF5HP19/FL/FLA Reverse Clutch Return (Beveled) (14 Fingers) 1994-Up	1

ZF

# ZF5HP19 / ZF5HP19FL / ZF5HP19FLA



ZF

RWD/FWD 5 Speed

PART #	HARD PARTS (Continued)	QTY	REFERENCE #
175977A	Spring, ZF5HP19/FL/FLA Low/Reverse Clutch Return (Beveled) (18 Fingers)(.066" Thick)	1	
	1994-Up	1	
175978A	Spring, ZF5HP19/FL/FLA Overrun Clutch Return (Beveled) (12 Fingers)(.073" Thick) 1994-Up	1	
175980A	Retainer, ZF5HP19/FL/FLA 4th Clutch Spring (.475" Thick)(3.880"OD)(Steel) 1994-Up	1	
175981A	Clip Set, ZF5HP19 FL/FLA Holds Overdrive Direct Clutch Return Spring In (.180" Thick)	1	
	(2 Pieces) 1994-Up	1	
175982A	Use 175986A	1	
175984A	Clip Set, ZF5HP19/FL/FLA Holds Forward Clutch Return Spring In (2 Pieces) 1994-Up	1	
175986A	Clip Set, ZF5HP19/FL/FLA Holds Reverse Clutch Return Spring In (2 Pieces) 1994-Up (Also Fits ZF5HP19/FL/FLA Holds Intermediate Clutch Return Spring In (#982)(2 Pieces) 1994-Up)	1-2	
175987A	Retainer, ZF5HP19/FL/FLA Low/Reverse Clutch Spring (.079" Thick)(3.820"OD)(2.495"ID)	1	
	(3 Tabs) 1994-Up	1	
175988A	Retainer, ZF5HP19/FL/FLA Overrun Clutch Spring (W/3 Inner Tabs)(3.230"OD) 1994-Up	1	
175991-2B	Spring, ZF5HP19 Rooster Comb Detent (3.683" Long)(2 Bolt) 1997-Up	1	
175991-3B	Rooster Comb, ZF5HP19 (.545" Thick)(.395"ID Hole)(7 Detents) 1997-Up	1	
175991-4B	Manual Shaft Rod, ZF5HP19 (3.595" Long)(.393"OD) 1997-Up	1	
175991-5B	Roll Pin, ZF5HP19 Holds Manual Shaft To Rooster Comb (.880" Long)(.202"OD) 1997-Up	1	
175994B	Park Rod Actuator, ZF5HP19 (9" Long) 1997-Up	1	
175995A	Park Pawl Assembly, ZF5HP19FL/FLA (3 Pieces) 1994-Up	1	
175995B	Park Pawl Assembly, ZF5HP19 (5 Pieces) 1997-Up	1	
175999A	Oil Tube, ZF5HP19FL/FLA Pinion (4 3/4" Long) 1994-Up	1	

**Technical Bulletin #964****Transmission:** *ZF5HP19***Subject:** *No TSS signal/B Clutch Drum Change***Application:** *Audi, BMW, Porsche & VW***Issue Date:** *October, 2005***ZF5HP19****No TSS signal / B Clutch Drum Change**

It is very important that the B Clutch Drum be used with the TSS it is designed for. Early units with the pulse generator-type TSS mounted on the valve body, use a magnetic drum. Late units with the Hall-Effect TSS mounted inside the case, use a non-magnetic drum. Use a magnet to determine which drum to use. If the wrong drum is installed, the TSS will not make a signal and a TSS code or gear ratio errors may result.

