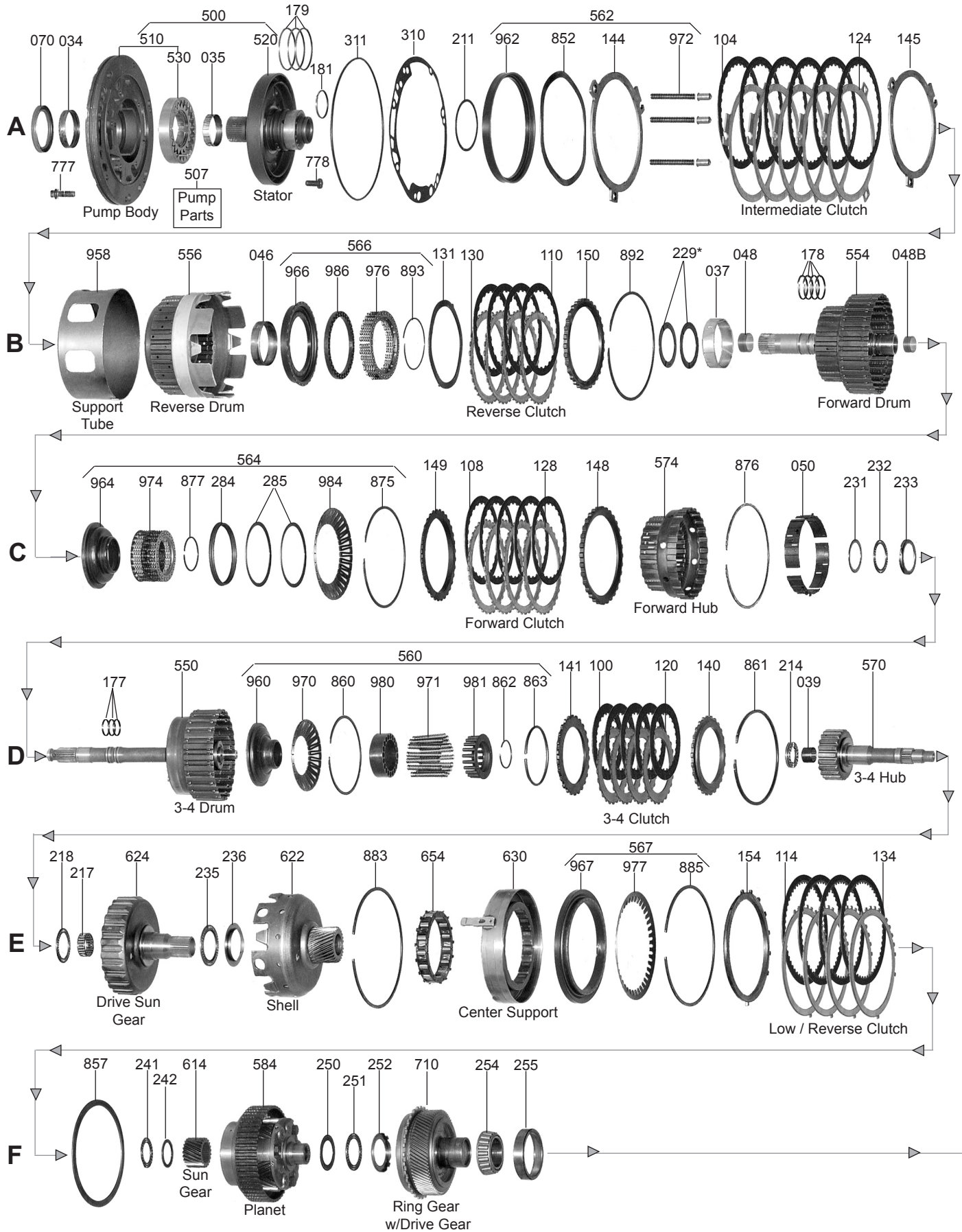
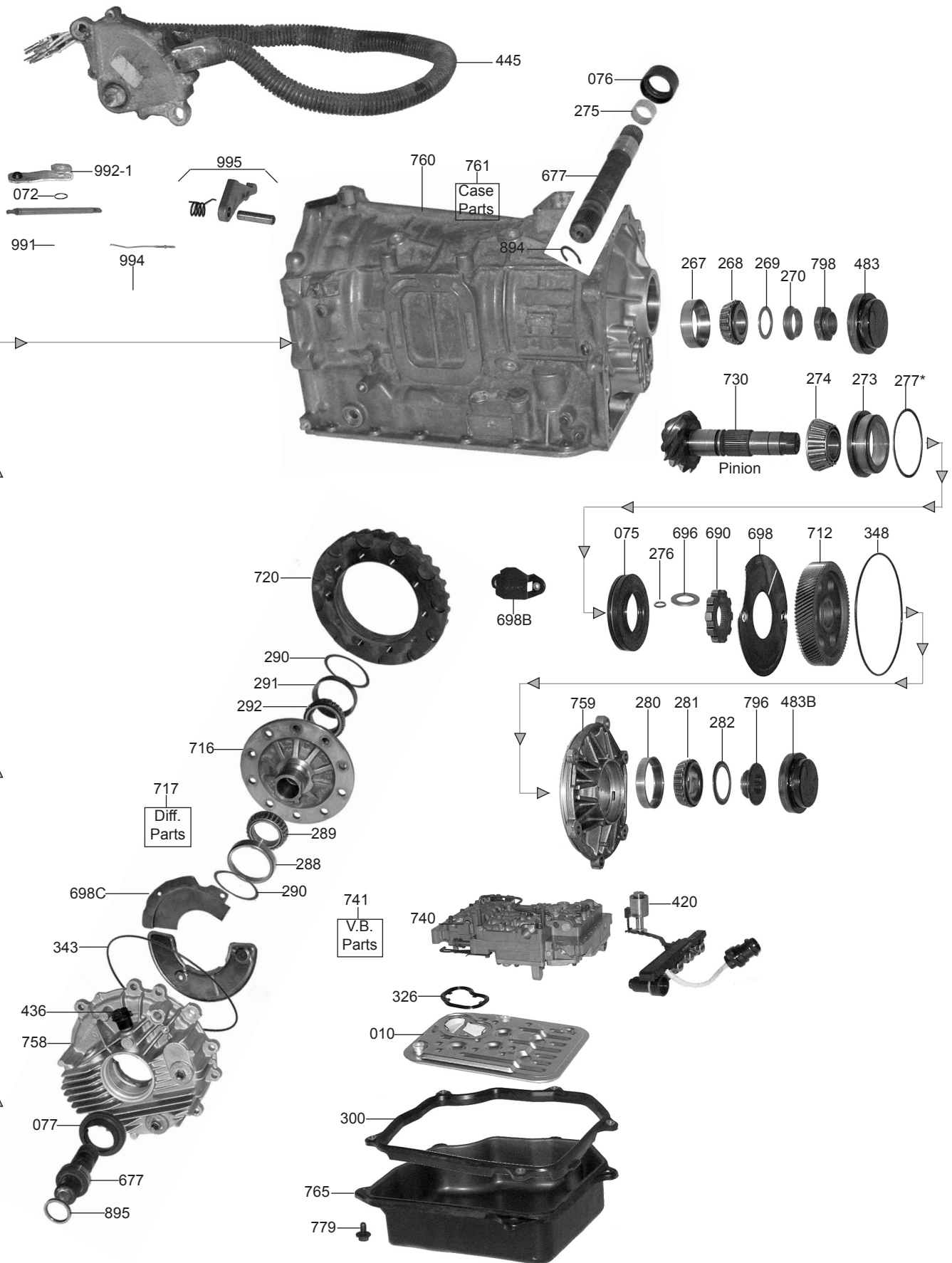


VOLKSWAGEN





# VW AG4 (095 / 096 / 01M)(097 / 01N)(098 / 01P)

FWD 4 Speed

PART #	PAPER & RUBBER KIT	QTY.	REFERENCE #
75000A	Paper & Rubber Kit, 095/096 Without Molded Piston	1	
75000C	Paper & Rubber Kit, 097 Without Molded Pistons 1989-12/1994 (German Built)	1	
75000D	Paper & Rubber Kit, 098 Without Molded Pistons 1992-94 (German Built)	1	

PART #	OVERHAUL KITS	QTY.	REFERENCE #
75002A	Overhaul Kit, 095/096 Without Molded Piston (German & Mexican Built) 1989-Up (For Bonded Pistons Sell A75960AK Or A75960BK)	1	
75002D	Overhaul Kit, 098 1992-Up (For Bonded Pistons Sell 75960BK)	1	

PART #	MASTER L/STEEL KIT	QTY.	REFERENCE #
75004AA	Master L/Steels Kit, 095/096 1989-12/94 (German Built)(For Bonded Pistons Sell A75960AK)	1	
75004AB	Master L/Steels Kit, 096 8/1993-12/94 (Mexican Built) (Also Fits 095 1/1995-Up) With Double Sided 3-4 Frictions (Mexican And German Built)(For Bonded Pistons Sell A75960BK)	1	
75004AE	Master L/Steels Kit, 095 (01M) (With 1 Sided 3-4 Frictions) 2001-03 (For Bonded Pistons Sell A75960BK)	1	
75004CA	Master L/Steels Kit, 097 Without Molded Pistons 1989-12/1994 (German Built)	1	
75004CAP	Master L/Steels Kit, 097 With Molded Pistons 1989-12/1994 (German Built)	1	
75004CB	Master L/Steels Kit, 097 Without Molded Pistons 1/1993-12/1994 (Mexican Built) Also Fits 01N 1/1995-Up (All)	1	
75004CBP	Master L/Steels Kit, 097 With Molded Pistons 1/1993-12/1994 (Mexican Built) Also Fits 01N 1/1995-Up (All)	1	
75004DA	Master L/Steels Kit, 098 Without Molded Pistons 1992-94 (German Built)	1	
75004DAP	Master L/Steels Kit, 098 With Molded Pistons 1992-94 (German Built)	1	
75004DB	Master L/Steels Kit, 098 Without Molded Pistons 1/1995-Up	1	
75004DBP	Master L/Steels Kit, 098 With Molded Pistons 1/1995-Up	1	

PART #	MASTER W/STEEL KIT	QTY.	REFERENCE #
75006AA	Master W/Steels Kit, 095/096 1989-12/94 (German Built)(For Bonded Pistons Sell A75960AK)	1	
75006AB	Master W/Steels Kit, 096 8/1993-12/94 (Mexican Built)(Also Fits 095 1/1995-Up (With Double Sided 3-4 Frictions)(Mexican And German Built)(For Bonded Pistons Sell A75960BK)	1	
75006AE	Master W/Steels Kit, 095 (01M) (With 1 Sided 3-4 Frictions) 2001-03 (For Bonded Pistons Sell A75960BK)	1	
75006CA	Master W/Steels Kit, 097 Without Molded Pistons 1989-12/1994 (German Built)	1	
75006CAP	Master W/Steels Kit, 097 With Molded Pistons 1989-12/1994 (German Built)	1	
75006CB	Master W/Steels Kit, 097 Without Molded Pistons 1/1993-12/1994 (Mexican Built) Also Fits 01N 1/1995-Up (All)	1	
75006CBP	Master W/Steels Kit, 097 With Molded Pistons 1/1993-12/1994 (Mexican Built) Also Fits 01N 1/1995-Up (All)	1	
75006DA	Master W/Steels Kit, 098 Without Molded Pistons 1992-94 (German Built)	1	
75006DAP	Master W/Steels Kit, 098 With Molded Pistons 1992-94 (German Built)	1	
75006DB	Master W/Steels Kit, 098 Without Molded Pistons (Eurovan) 1/1995-Up	1	
75006DBP	Master W/Steels Kit, 098 With Molded Pistons (Eurovan) 1/1995-Up	1	

PART #	FILTER	QTY.	REFERENCE #
75010A	Filter, 095/096/097/098 (With Molded Rubber Gasket)	1	095-325-429D
75010B	Filter, 096/098 (With Round Lip Seal Grommet) 1996-Up	1	

PART #	FILTER KIT	QTY.	REFERENCE #
75011A	Filter Kit, 095/096/097/098	1	
75011B	Filter Kit, 096 (With Lip Seal) 1996-Up	1	

PART #	BUSHINGS	QTY.	REFERENCE #
75030A	Bushing Kit, 095/096/097/098	1	
75034A	Bushing, 095/096/097/098 Pump Body	1	
75035A	Bushing, 095/096/097/098 Inner Pump Gear	1	
75037A	Bushing, 095/096/097/098 Forward Drum (Large) (Front) (To Stator)	1	
75039A	Bushing, 095/096/097/098 3-4 Hub (Pilot) (Front) (To Forward Drum)	1	
75048A	Bushing, 095/096/097/098 Forward Drum Shaft (Small) (Front)	1	
75048B	Bushing, 095/096/097/098 Forward Drum Shaft (Small) (Rear)	1	
75050A	Bushing, 095/096 (01M) Forward Hub To 3-4 Drum (Plastic) (4 Pieces) (.768" Tall)	1	
75050C	Bushing, 097/098 Forward Hub To 3-4 Drum (Plastic) (4 Pieces) (.650" Tall)	1	

VOLKSWAGEN

FWD 4 Speed

**VW AG4 (095 / 096 / 01M)(097 / 01N)(098 / 01P)**

PART #	METAL CLAD SEALS	QTY.	REFERENCE #
75070A	Seal, 095/096/097/098 Front	1	096-95-321-243
75072A	Seal, 095/096/097/098 Manual Shaft Lever	1	095-323-862-A
75075A	Seal, 095/096/097/098 Pinion Retainer	1	096-323-862-A
65076A	Seal, Axle (095/096 Both Sides 1989-03)(097 Drivers Side 1995-03)	1-2	
75076C	Seal, 097 Axle (Passengers Side) 1989-94	1	
75076D	Seal, 098 Axle (Both Sides) 1992-03 (Also Fits 097 Passengers Side 1995-03)	2	
75077C	Seal, 097 Axle (Drivers Side) 1989-94	1	

PART #	FRICITION CLUTCH	QTY.	REFERENCE #
75100A	Friction, 095/096/097/098 3-4 Clutch (K3) .063" (3.80"OD) 22 Teeth 1990-94	4-6	
75100AB	Friction, 095/096/097/098 3-4 Clutch (K3) .063" (4.05"OD) 1995-Up	4-6	
75100AC	Friction, 095/096 (01M) 3-4 Clutch (K3) (.049")(22 Internal Teeth)(1 Sided) 200-03	4-6	
75104A	Friction, 095/096/097/098 Intermediate Clutch (B2) .063" (6.10"OD) 32 Teeth 1990-Up	4-6	
75108A	Friction, 095/096/097/098 Forward Clutch (K1) .063" (4.80"OD) 24 Teeth 1990-Up (Also Fits Reverse Clutch (K2))	4-10	
75110A	Friction, 095/096/097/098 Reverse Clutch (K2) .063" (4.80"OD) 24 Teeth 1990-Up (Use 75108A)	4-5	
75114A	Friction, 095/096/097/098 Low/Reverse Clutch (B1) .063" (5.75"OD) 50 Teeth 1990-Up	4-5	
75119A	Friction Module, 095/096/097 1989-94	1	

PART #	STEEL CLUTCH	QTY.	REFERENCE #
75120A	Steel, 095/096/097/098 3-4 Clutch (K3) .079" (2.80"ID) 26 Teeth 1990-94	3-5	
75120AA	Steel, 095/096/097/098 3-4 Clutch (K3) .063" (2.80"ID) 28 Teeth 1995-Up	4-6	
75120AB	Steel, 095/096/097/098 3-4 Clutch (K3) .058" (2.80"ID) 28 Teeth 1995-Up	4-6	
75120AC	Friction, 095/096 (01M) 3-4 Clutch (K3) (.048")(28 External Teeth)(1 Sided) 2000-03	4-6	
75124A	Steel, 095/096/097/098 Intermediate Clutch (B2) .079" (5.35"ID) 3 Teeth 1990-Up	5-7	
75124AA	Steel, 095/096/097/098 Intermediate Clutch (B2) .089" (5.35"ID) 3 Teeth 1990-Up	AR	
75124AB	Steel, 095/096/097/098 Intermediate Clutch (B2) .095" (5.35"ID) 3 Teeth 1990-Up	AR	
75124AC	Steel, 095/096/097/098 Intermediate Clutch (B2) .108" (5.35"ID) 3 Teeth 1990-Up	AR	
75124AD	Steel, 095/096/097/098 Intermediate Clutch (B2) .118" (5.35"ID) 3 Teeth 1990-Up	AR	
75128A	Steel, 095/096/097/098 Forward Clutch (K1) .079" (4.10"ID) 32 Teeth 1990-Up (Also Fits Reverse Clutch (K2))	4-10	
75128AA	Steel, 095/096/097/098 Forward Clutch (K1) .057" (4.10"ID) 32 Teeth 1995-Up	4-6	
75130A	Steel, 095/096/097/098 Reverse Clutch (K2) .079" (4.10"ID) 32 Teeth 1990-Up (Use 75128A)	5	
75131A	Steel, 095/096/097/098 Reverse Clutch (Cushion) .058" (2 Teeth)	1	
75134A	Steel, 095/096/097/098 Low/Reverse Clutch (B1) .079" (5.10"OD) 12 Teeth 1990-94	4-5	
75134AA	Steel, 095/096/097/098 Low/Reverse Clutch (B1) .057" (5.10"OD) 12 Teeth 1995-Up	4-6	

PART #	CLUTCH PRESSURE PLATES	QTY.	REFERENCE #
75140A	Pressure Plate, 095/096/097/098 3-4 Clutch (Top) K3 (.125") 26 Teeth	1	
75140AA	Pressure Plate, 095/096/097/098 3-4 Clutch (Top) K3 (28 Teeth)	1	
75140AC	Pressure Plate, 095/096(01M) 3-4 Clutch (K3) Top (External Teeth)(1 Sided Friction) (Stepped) 2000-03	1	
75141A	Apply Plate, 095/096/097/098 3-4 Clutch (Bottom) K3 (26 Teeth)	1	
75141AA	Apply Plate, 095/096/097/098 3-4 Clutch (Bottom) K3 (28 Teeth)	1	
75144A	Pressure Plate, 095/096/097/098 Intermediate Clutch (Front) B2	1	
75145A	Apply Plate, 095/096/097/098 Intermediate Clutch (Rear) B2	1	
75148A	Pressure Plate, 095/096/097/098 Forward Clutch (Top) K1	1	
75149A	Apply Plate, 095/096/097/098 Forward Clutch (Bottom) K1	1	
75150A	Pressure Plate, 095/096/097/098 Reverse Clutch (Top) K2 .171" Thick On The ID (.188" Thick On The OD)	1	
75150AA	Pressure Plate, 095/096/097/098 Reverse Clutch (Top) K2 .121" Thick On The ID (.188" Thick On The OD)	1	
75150AB	Pressure Plate, 095/096/097/098 Reverse Clutch (Top) K2 .251" Overall Thickness	1	
75154A	Pressure Plate, 095/096/097/098 Low/Reverse Clutch (Top) B1	1	

PART #	VALVE BODY KITS	QTY.	REFERENCE #
T75165AA	Shift Kit, 095/096 (01M) Fits Units With Round Lip Seal Grommet Type Filter 1995-Up (Transgo)	1	

PART #	OIL SEALING RINGS	QTY.	REFERENCE #
75175A	Ring Kit, 095/096/097/098 1989-Up (12 Metal Rings)	1	
75177A	Ring, 095/096/097/098 Input Shaft	2	

VOLKSWAGEN

# VW AG4 (095 / 096 / 01M)(098 / 01P)

FWD 4 Speed

PART #	OIL SEALING RINGS	QTY.	REFERENCE #
75178A	Ring, 095/096/097/098 Turbine Shaft	4	
75179A	Ring, 095/096/097/098 Reverse Clutch	2	
75181A	Ring, 095/096/097/098 Forward Clutch	1	

PART #	WASHERS & BEARINGS	QTY.	REFERENCE #
75211A	Washer, 095/096/097/098 Stator To Reverse Drum (Plastic)	1	
75214A	Bearing W/Race, 095/096/097/098 3-4 Clutch Drum To 3-4 Clutch Hub	1	
75217A	Cage Bearing, 095/096/097/098 3-4 Clutch Hub To Drive Hub	1	095 323 907
75218A	Bearing, 095/096/097/098 3-4 Clutch Hub To Drive Hub	1	095 323 909
75229A	Washer, 095/096/097/098 Reverse Clutch Drum To Forward Clutch Drum (Plastic)(.045" Thick) (1.785"ID)(2.470"OD)	1	
75231A	Race, 095/096/097/098 Forward Clutch Drum To 3-4 Clutch Drum (Front)	1	095 323 165
75232A	Bearing, 095/096/097/098 Forward Clutch Drum To 3-4 Clutch Drum	1	
75233A	Race, 095/096/097/098 Forward Clutch Drum To 3-4 Clutch Drum (Rear)	1	
75235A	Bearing, 095/096/097/098 Drive Hub To Sun Shell	1	095 323 708
75236A	Race, 095/096/097/098 Drive Hub To Sun Shell	1	095 323 714
75241A	Bearing, 095/096/097/098 Sun Shell To Rear Sun Gear (.097" Thick)(1.530"OD)(1.083"ID) 1990-92	1	095 323 727
75241AA	Bearing, 095/096/097/098 Sun Shell To Rear Sun Gear (.097" Thick)(1.602"OD)(1.083"ID) 1993-95	1	095 323 727B
75242A	Race, 095/096/097/098 Sun Shell To Rear Sun Gear	1	095 323 715
75250A	Race, 095/096/097/098 Planet To Ring Gear (Front)	1	095 323 739
75251A	Bearing, 095/096/097/098 Planet To Ring Gear	1	
75252A	Race, 095/096/097/098 Planet To Ring Gear (Rear)	1	095 323 743A
75254A	Tapered Bearing, 095/096/097/098 Ring Gear To Case	2	003 519 185
75255A	Cup Race, 095/096/097/098 Ring Gear To Case	2	
75262A	Washer, 095/096/097/098 Collar To Bearing	1	
75264A	Collar/Nut, 095/096/098 Rear Planet Ring Gear To Case Bearing	1	
75272A	Bearing W/Races, 095/096/098 Rear Planet Ring Gear To Collar/Nut	1	
75273A	Cup Race, 095/096/097/098 Pinion Bearing Cup	1	
75274A	Tapered Bearing, 095/096/097/098 Pinion	1	
75275A	Washer, 095/096/097/098 Axle Flange To Differential Housing	1	
75276A	Washer, 095/096/097/098 Park Gear To Pinion Bearing	1	
75280A	Cup Race, 095/096/097/098 Driven Transfer Gear Bearing	1	
75281A	Tapered Bearing, 095/096/097/098 Driven Transfer Gear	1	
75283A	Bearing W/Races, 095/096/097/098 Transfer Driven Gear To Bolt	1	
75284A	Spacer, 095/096/097/098 Under Forward Clutch Beveled Spring	1	
75285A	Shim, 095/096/097/098 Under Forward Clutch Beveled Spring	1	
75288A	Cup Race, 095/096/097/098 Differential Bearing Cup (Rear)	1	
75289A	Tapered Bearing, 095/096/097/098 Differential (Rear)	1	
75291A	Cup Race, 095/096/097/098 Differential Bearing Cup (Front)	1	
75292A	Tapered Bearing, 095/096/097/098 Differential (Front)	1	

PART #	GASKETS & RUBBER COMPONENTS	QTY.	REFERENCE #
75300A	Gasket, 095/096 Bottom Pan (Molded Rubber)	1	
75300C	Gasket, 097 Bottom Pan	1	
75300D	Gasket, 098 Bottom Pan (Molded Rubber)	1	
75303A	Gasket, 095/096/097/098 Differential Cover	1	
75304A	Gasket, 095/096/097/098 Transfer Gear Cover	1	
75304AW	Gasket, 095/096 (01M) Rear Cover (Molded Rubber) 1998-Up (Transfer Gear Cover)	1	
75304DW	Gasket, 098 (01P) Rear Cover (Molded Rubber) 1992-94 (Transfer Gear Cover)	1	
75304DAW	Gasket, 098 (01P) Rear Cover (Molded Rubber) 1995-Up (Transfer Gear Cover)	1	
75310A	Gasket, 095/096/097/098 Pump 1989-12/1994 (German Built)	1	
75310AA	Gasket, 095/096/097/098 Pump 1/1995-Up	1	
75311A	O-Ring, 095/096/097/098 Pump	1	
75326A	Gasket, 095/096/097/098 Filter	1	

PART #	TECHNICAL MANUALS	QTY.	REFERENCE #
75400A	Technical Manual, 095/096/097/098	1	
75400B	Technical Manual, AG4 (095/096/01M) Technical Diagnostic Guide	1	

PART #	ELECTRICAL COMPONENTS	QTY.	REFERENCE #
75410A	PRNDL Switch, 095/096/098 (7 Prong) (1 Bolt) (Cast # 095 919 823A)	1	
75410B	PRNDL Switch, 095/096/098 (7 Prong) (1 Bolt) (Cast # 095 919 823B)	1	

VOLKSWAGEN

FWD 4 Speed

**VW AG4 (095 / 096 / 01M)(097 / 01N)(098 / 01P)**

75410F	PRNDL Switch, 095/096/098 (7 Prong) (1 Bolt) (Cast # 095 919 823F)	1
75421A	Solenoid, 095/096/097/098 Shift (Brown Connector)(Takes 5 Or 6 Per Transmission)	5-6
75431A	Solenoid, 095/096 EPC/Lock-Up (Black Connector)(Takes 1 Or 2 Per Transmission)	1
75446A	Internal Wire Harness With Case Connector, 095/096/097/098 (Brass Strap Type) The Brass Strap From The Case Connector Has A 90 Degree Bend & T's Into Center Of Solenoid Connector Brass Strap (Use 75446BK)	1
75446AB	Internal Wire Harness With Case Connector, 095/096/097/098 (Brass Strap Type) The Brass Strap From The Case Connector Is Straight & Elbows 90 Degrees In The End Of Solenoid Connector Brass Strap (Use 75446BK)	1
75446B	Internal/External Wire Harness With Pass Through Case Connector, 095/096/097/098 (Brass Strap Type) The External Wire Harness Is 17 3/4" Long Between Pass Through Connector & External Connectors (Use 75446BK)	1
75446BB	Internal/External Wire Harness With Pass Through Case Connector, 095/096/097/098 (Brass Strap Type) The External Wire Harness Is 12" Long Between Pass Through Connector & External Connectors (Use 75446BK)	1
75446BK	Replacement Internal/External Wire Harness, 095/096/097 & Some 098 (Eliminates The OE Brass Strap Type Harness) Has The 17 3/4" Long External Harness Between Case Connector And External Connector	1

PART #	MISC. COMPONENTS	QTY.	REFERENCE #
75490A	Vent, 095/096/097/098 Case	1	
75491A	Vent, 095/096/097/098 Differential	1	

PART #	HARD PARTS	QTY.	REFERENCE #
75500A	Pump Complete, 095/096/097/098	1	
75510A	Pump Body W/Gears, 095/096/097/098 (Cast # 095 321 247B)	1	
75510B	Pump Body W/Gears, 095/096/097/098 (Cast # 01M 321 247)	1	
75520A	Stator, 095/096/097/098 With 4 Large Holes & 1 Small Hole Inside Tube (No Check Valves On Flat Surface Of Stator)	1	
75520AA	Stator, 095/096/097/098 With 4 Large Holes & 1 Small Hole Inside Tube (With 1 Check Valve On Flat Surface Of Stator)	1	
75520B	Stator, 095/096/097/098 With 10 Feed Holes Inside Tube	1	
75520C	Stator, 095/096/097/098 With 4 Large Holes & 1 Small Hole Inside Tube (With 3 Check Valves On Flat Surface Of Stator)	1	
75550A	Drum, 095/096/097/098 3-4 Clutch With Solid Shaft (5 Clutch) 26 Teeth Steels (.655"OD At Front End Of Shaft) 1989-94	1	
75550AB	Drum, 095/096/097/098 3-4 Clutch With Solid Shaft (4 Clutch) 28 Teeth Steels (.655"OD At Front End Of Shaft) 1989-94	1	
75550AC	Drum, 095/096/097/098 3-4 Clutch With Solid Shaft (5 Clutch) 28 Teeth Steels (.655"OD At Front End Of Shaft) 1989-94	1	
75550B	Drum, 095/096/097/098 3-4 Clutch With Hollow Shaft (4 Or 5 Clutch) 28 Teeth Steels (1.040"OD At End Of Shaft With Bushing On The Inside) 1995-Up	1	
75550BA	Drum, 095/096/097/098 3-4 Clutch With Hollow Shaft (4 Or 5 Clutch) 28 Teeth Steels (1.040"OD At End Of Shaft With No Bushing On The Inside) 1995-Up	1	
75550BB	Drum, 095/096/097/098 3-4 Clutch With Hollow Shaft (6 Clutch) 28 Teeth Steels (1.040"OD At Front End Of Shaft With Bushing On The Inside) 1995-Up	1	
75550BC	Drum, 095/096/097/098 3-4 Clutch With Hollow Shaft (6 Clutch) 28 Teeth Steels (1.040"OD At Front End Of Shaft No Bushing On The Inside) 1995-Up	1	
75554A	Drum, 095/096/097/098 Forward With Shaft (5 Clutch) 1990-95 (Uses A Bellville Spring) Used With 75550A	1	
75554AA	Drum, 095/096/097/098 Forward With Shaft (5 Clutch) 1990-95 (Does Not Use A Bellville Spring) Used With 75550AB & 75550AC	1	
75554B	Drum, 095/096/097/098 Forward Less Shaft 1996-Up	1	
75556A	Drum, 095/096/097/098 Reverse Clutch (5 Clutch)	1	
75560A	Piston Kit, 095/096/097/098 3-4 Clutch (With Multiple Springs)	1	
75560B	Piston Kit, 095/096/097/098 3-4 Clutch (With 1 Large Spring)	1	
75564A	Piston Kit, 095/096/097/098 Forward Clutch 1990-95 (With Bellville Spring)	1	
75564AA	Piston Kit, 095/096/097/098 Forward Clutch 1990-95 (Does Not Use A Bellville Spring)	1	
75564B	Piston Kit, 095/096/097/098 Forward Clutch 1996-Up	1	
75566A	Piston Kit, 095/096/097/098 Reverse Clutch	1	
75570A	Clutch Hub, 095/096/097/098 3-4 Clutch Hub With Solid Shaft (Fits 75622A Shell With 24 Teeth Sun Gear)	1	
75570AA	Clutch Hub, 095/096/097/098 3-4 Clutch Hub With Solid Shaft (Fits 75622AA Shell With 27 Teeth Sun Gear)	1	
75574A	Clutch Hub, 095/096/097/098 Forward Clutch	1	

VOLKSWAGEN



# VW AG4 (095 / 096 / 01M)(097 / 01N)(098 / 01P)

FWD 4 Speed

PART #	HARD PARTS (Continued)	QTY.	REFERENCE #
75584A	Planet, 095/096/097/098 Rear (Sun Gear #614 Does Not Come With The Planet, It Slides Out)	1	
75584B	Planet, 095/096/097/098 Rear (With Sun Gear #614) The Sun Gear #614 Stays In The Planet	1	
75614A	Sun Gear, 095/096/097/098 Rear (21 Teeth)	1	
75622A	Shell, 095/096/097/098 With Sun Gear (27 Teeth)	1	
75622AA	Shell, 095/096/097/098 With Sun Gear (27 Teeth) 1.890"OD Where Gear Rides	1	
75624A	Hub, 095/096/097/098 Drive With Hollow Shaft (Fits 75622A Shell With 24 Teeth Sun Gear)	1	
75624AA	Hub, 095/096/097/098 Drive With Hollow Shaft (Fits 75622AA Shell With 27 Teeth Sun Gear)	1	
75630A	Center Support, 095/096/097/098 Rear	1	

PART #	SPRAGS & ONE WAY CLUTCHES	QTY.	REFERENCE #
75654AA	Sprag, 095/096/097/098 Rear	1	

PART #	HARD PARTS (Continued)	QTY.	REFERENCE #
75690A	Gear, 095/096/097/098 Park (10 Teeth)	1	
75710A	Gear, 095/096/097/098 Transfer Drive With Ring Gear (62 Teeth)(No Groove)	1	
75710AA	Gear, 095/096/097/098 Transfer Drive With Ring Gear (62 Teeth)(2 Groove)	1	
75710B	Gear, 095/096/097/098 Transfer Drive With Ring Gear (71 Teeth)	1	
75710C	Gear, 095/096/097/098 Transfer Drive With Ring Gear (72 Teeth)	1	
75710D	Gear, 095/096/097/098 Transfer Drive With Ring Gear (75 Teeth)	1	
75710E	Gear, 095/096/097/098 Transfer Drive With Ring Gear (45 Teeth) (.745" Thick)	1	
75710EA	Gear, 095/096/097/098 Transfer Drive With Ring Gear (45 Teeth) (.930" Thick)	1	
75710F	Gear, 095/096/097/098 Transfer Drive With Ring Gear (61 Teeth)(Fits Driven Gear #712F With 4.700"OD)	1	
75710FA	Gear, 095/096/097/098 Transfer Drive With Ring Gear (61 Teeth)(Fits Driven Gear #712FA With 4.670"OD)	1	
75712A	Gear, 095/096/097/098 Transfer Driven (75 Teeth)	1	
75712B	Gear, 095/096/097/098 Transfer Driven (61 Teeth)	1	
75712C	Gear, 095/096/097/098 Transfer Driven (51 Teeth)	1	
75712D	Gear, 095/096/097/098 Transfer Driven (44 Teeth)(.828" Thick)	1	
75712DA	Gear, 095/096/097/098 Transfer Driven (44 Teeth)(.750" Thick)	1	
75712E	Gear, 095/096/097/098 Transfer Driven (73 Teeth)	1	
75712F	Gear, 095/096/097/098 Transfer Driven (63 Teeth)(4.700"OD)	1	
75712FA	Gear, 095/096/097/098 Transfer Driven (63 Teeth)(4.670"OD)	1	
75713A	Retainer, 095/096/097/098 Aluminum 4 Bolt	1	
75715A	Differential W/Ring Gear, 095/096/097/098 (76 Teeth, No Groove)(22 Roller Bearing On Both Sides)	1	
75715AA	Differential W/Ring Gear, 095/096/097/098 (76 Teeth, No Groove)(23 Roller Bearing On Speed-O Side)(24 Roller Bearing On Ring Gear Side)	1	
75715B	Differential W/Ring Gear, 095/096/097/098 (68 Teeth, 5 Groove)(24 Roller Bearing On Both Sides)	1	
75715C	Differential W/Ring Gear, 095/096/097/098 (78 Teeth, 2 Groove)(24 Roller Bearing On Both Sides)	1	
75715D	Differential W/Ring Gear, 095/096/097/098 (64 Teeth, 4 Groove)(24 Roller Bearing On Both Sides)	1	
75715E	Differential W/Ring Gear, 095/096/097/098 (74 Teeth, 3 Groove)(23 Roller Bearing On Both Sides)	1	
75715EA	Differential W/Ring Gear, 095/096/097/098 (74 Teeth, 3 Groove)(23 Roller Bearing On Speed-O Side)(24 Roller Bearing On Ring Gear Side)	1	
75716A	Differential Housing, 095/096/097/098 Less Ring Gear	1	
75720A	Ring Gear, 095/096/097/098 Differential (76 Teeth)	1	
75724A	Retainer, 095/096/097/098 Differential Bearing (Front)	1	
75725A	Retainer, 095/096/097/098 Differential Bearing (Rear)	1	
75730A	Pinion, 095/096/097/098 (18 Teeth)	1	
75735A	Retainer, 095/096/097/098 Pinion Bearing (Aluminum)	1	
T-75735A	Tool, 095/096/097/098 Pinion Bearing Retainer Remover Tool (Unscrews Aluminum Retainer # 735 From Case)	1	
75740A	Valve Body, 095/096/097/098 (01M/01N/01P)(With Kidney Shaped Filter Hole)(Must Go By Date On Main Valve Body Section) 1990-94	1	
75740AA	Valve Body, 095/096/097/098 (01M/01N/01P)(With Round Filter Hole)(Must Go By Date On Main Valve Body Section) 1997-98 (Fully Tested With All Necessary Sonnax Replacement Valves)	1	
75740AB	Valve Body, 095/096/097/098 (01M/01N/01P) (With Round Filter Hole)(Must Go By Date On Main Valve Body Section) 1999-Up (Fully Tested With All Necessary Sonnax Replacement Valves)	1	

VOLKSWAGEN

FWD 4 Speed

**VW AG4 (095 / 096 / 01M)(097 / 01N)(098 / 01P)**

75740AC..... Valve Body, 095/096/097/098 (01M/01N/01P) (With Round Filter Hole)(Must Go By Date On  
 .....Main Valve Body Section) 1999-Up (Fully Tested With All Necessary Sonnax Replacement  
 .....Valves).....1

PART #	VALVE BODY COMPONENTS	QTY.	REFERENCE #
S74741AAK	Valve Assembly, 095/096/097/098 Main Regulator (Contains: Oversize Valve, Springs & End Plug With O-Rings) (Sonnax)(Must Use T-F-119940-TL3)	1	
S75741CK	TCC Boost Valve, Sleeve & Spring, 095/096/097/098 (Sonnax)	1	
S75741CAK	Valve Assembly, 095/097/097/098 TCC Apply (Contains: Oversize TCC Apply Valve, Spring, TCC Boost Valve & Sleeve)(Sonnax) (Must Use Tool T-119940-TL4)	1	
T-119940-TL4	Tool For S75741CAK	1	
S75741-6K	Shift Cup Kit, 095/096/097/098 (Valve End Plugs)(Contains 2 Medium, 4 Small & 1 Large Shift Cup) (Sonnax)	1	
T-VB-FIX	Valve Body Reaming Fixture (Sonnax)	1	
S75741LA	Valve, 095/096/097/098 Oversize Solenoid Valve (Sonnax)(Must Use T-F-119940-TL6)	1	
S75741PAK	Sure Cure Kit, 096/097/098 (AG4 Phase 0 & 1 Units)(Sonnax) (Must Use Tools T-F-119940-TL7, T-F-119940-TL8, T-F-119940-TL6 & T-VB-FIX)	1	
T-F-119940-TL5	Tool For S75741PBK & S75741TK	1	
T-F-119940-TL6	Tool For S75741PAK & S74741PBK	1	
T-F-119940-TL7	Tool For S74741PAK	1	
T-F-119940-TL8	Tool For S74741PAK	1	
S75741PBK	Sure Cure Kit, 01M/01N/01P (AG4 Phase 2 Units)(Sonnax) (Must Use Tools T-F-119940-TL3, T-119940-TL4, T-F-11940-TL5, T-F-119940-TL6 & T-VB-FIX)	1	
T-119940-TL4	Tool For S75741CAK & S74741PBK	1	
T-F-119940-TL3	Tool For S74741PBK	1	
T-F-119940-TL5	Tool For S74741PBK	1	
S75741T-6	End Plug, 095/096/097/098 Boost Valve (Ratcheting)(Sonnax)	1	
S75741TK	Valve Assembly, 095/096/097/098 Boost Regulator Valve & Plug (Sonnax)(Must Use Tool #T-F-119940-TL5)	1	

PART #	HARD PARTS (Continued)	QTY.	REFERENCE #
75758A	Cover, 095/096/097/098 Differential	1	
75759A	Cover, 095/096/097/098 Rear	1	
75760A	Case, 095/096/097/098 (Cast # 096 321 105AE)	1	
75760AE	Case, 095/096 (01M)(Cast # 01M 321 105 E)	1	
75760AF	Case, 095/096 (01M)(Cast # 01M 321 105 F)	1	
75760AL	Case, 095/096 (01M)(Cast # 01M 321 105 L)	1	
75760AQ	Case, 095/096 (01M)(Cast # 01M 321 105 Q)	1	
75765	Pan, 095/096/097/098 Bottom With Drain Plug	1	
75765A	Pan, 095/096/097/098 Bottom No Drain Plug	1	
75774A	Housing, 095/096/098 Driven Speed-O (Black Plastic) (3 Blade Rectangle Connector Is 1/2" Tall)	1	
75774AA	Housing, 095/096/098 Driven Speed-O (Black Plastic) (3 Blade Oval Connector Is 1" Tall)	1	
75792AK	Bolt Set, 095/096/097/098 Holds Cooler To Case	1	
75796A	Nut, 095/096/097/098 For Driven Gear	1	
75838A	Axle Flange, 095/096/097/098	1	
75842A	Bracket, 095/096/097/098 Holds Driven Speed-O Housing On	1	
75852A	Cushion, 095/096/097/098 Intermediate Clutch	1	
75857A	Cushion, 095/096/097/098 Low/Reverse Clutch	1	
75860A	Snap Ring, 095/096/097/098 Holds Beveled Spring In	1	
75861A	Snap Ring, 095/096/097/098 Holds Top Pressure Plate In 3-4 Drum	1	
75862A	Snap Ring, 095/096/097/098 Holds 3-4 Clutch Retainer In	1	
75863A	Snap Ring, 095/096/097/098 Under 3-4 Bottom Pressure Plate	1	
75875A	Snap Ring, 095/096/097/098 Holds Forward Beveled Spring In Drum	1	
75877A	Snap Ring, 095/096/097/098 Holds Forward Return Spring In Drum	1	
75883A	Snap Ring, 095/096/097/098 Holds Center Support In Case	1	
75887A	Snap Ring, 095/096/097/098 Holds Axle Flange To Differential	1	
75892A	Snap Ring, 095/096/097/098 Holds Reverse Pressure Plate In Drum (.057")	1	
75892AA	Snap Ring, 095/096/097/098 Holds Reverse Pressure Plate In Drum (.064")	1	
75892AB	Snap Ring, 095/096/097/098 Holds Reverse Pressure Plate In Drum (.071")	1	
75893A	Snap Ring, 095/096/097/098 Holds Return Spring Retainer In Reverse Drum	1	
75958A	Tube, 095/096/097/098 Intermediate Support	1	
75960A	Piston, 095/096/097/098 3-4 Clutch (K3) (Bonded) 1990-94	1	
75960AK	Piston Kit, 095/096/097/098 (Bonded)(5 Pistons) 8/1993-12/1994	1	
75960B	Piston, 095/096/097/098 3-4 Clutch (K3) (Bonded) 1995-Up	1	
75960BK	Piston Set, 095/096/097/098 (Bonded)(7 Pistons) 1/1995-Up	1	
75962A	Piston, 095/096/097/098 Intermediate Clutch (B2)(Bonded) 1990-Up	1	
75964A	Piston, 095/096/097/098 Forward Clutch (K1)(Bonded) 1990-94	1	

VOLKSWAGEN

# VW AG4 (095 / 096 / 01M)(097 / 01N)(098 / 01P)

FWD 4 Speed

PART #	HARD PARTS (Continued)	QTY.	REFERENCE #
75964B	Piston, 095/096/097/098 Forward Clutch (K1)(Bonded) 1995-Up	1	
75966A	Piston, 095/096/097/098 Reverse Clutch (Bonded) 1989-Up	1	
75967A	Piston, 095/096/097/098 Low/Reverse Clutch (B1)(Bonded) 1990-Up	1	
75970A	Beveled Spring, 095/096/097/098 3-4 Clutch Return	1	
75971A	Spring, 095/096/097/098 3-4 Clutch Return	1	
75972A	Retainer W/Springs, 095/096/097/098 Intermediate Clutch	1	
75974A	Retainer W/Springs, 095/096/097/098 Forward Clutch	1	
75976A	Retainer W/Springs, 095/096/097/098 Reverse Clutch	1	
75977A	Diaphragm Spring, 095/096/097/098 Axle Flange	1	
75979A	Spring, 095/096/097/098 Axle Flange	1	
75980A	Retainer, 095/096/097/098 3-4 Clutch Spring (Bottom)	1	
75981A	Retainer, 095/096/097/098 3-4 Clutch Spring (Top)	1	
75981B	Retainer, 095/096/097/098 3-4 Clutch Spring (K3) (Bonded) 1995-Up	1	
75984A	Diaphragm Spring, 095/096/097/098 Forward Clutch	1	
75984B	Retainer, 095/096/097/098 Forward Clutch Spring (Bonded) 1995-Up	1	
75988A	Cooler, 095/096/097/098 External (Mounts To Case)	1	
75989A	Retainer, 095/096/097/098 Axle Spring	1	
75991A	Linkage Assembly, 095/096/097/098 Internal	1	
75995A	Park Pawl Assembly, 095/096/097/098	1	
S75998A-4K	Remote Cooler Adapter, 096/097/098 (Sonnax)(Replaces Oil Cooler On Top Of Transmission For Use With External Cooler	1	

VOLKSWAGEN

FWD 4 Speed

**VW AG4 (095 / 096 / 01M)(097 / 01N)(098 / 01P)**

---

VOLKSWAGEN

# VW / AUDI 003 (2 Band Type)

## 3 Speed Transaxle

PART #	PAPER & RUBBER KIT	QTY.	REFERENCE #
165000	Paper & Rubber Kit, 003 1969-75	1	
PART #	OVERHAUL KITS	QTY.	REFERENCE #
165002	Overhaul Kit, 003 1969-75	1	
PART #	MASTER L/STEEL KIT	QTY.	REFERENCE #
165004	Master L/Steels Kit, 003 1969-75	1	
PART #	MASTER W/STEEL KIT	QTY.	REFERENCE #
165006	Master W/Steels Kit, 003 1969-75	1	
PART #	FILTER	QTY.	REFERENCE #
165010	Filter, 003 1968-76	1	003-325-421
PART #	FILTER KIT	QTY.	REFERENCE #
165011	Filter Kit, 003 1968-76	1	
PART #	BANDS	QTY.	REFERENCE #
165022	Band, 003 2nd Gear	1	003-323-461
165024	Band, 003 Low/Reverse	1	003-323-411
PART #	BUSHINGS	QTY.	REFERENCE #
165030	Bushing Kit, 003	1	
165031	Bushing, 003 Converter Hub (Use 65035)	1	003-323-611
65032	Bushing, 003 Converter Reactor (Also Fits Forward Clutch Hub)	1-3	003-519-074
65035	Bushing, 003 Pump Drive Gear (Also Fits Converter Hub)	1-2	003-323-611
65037	Bushing, 003 Stator	1	003-321-254
165046	Bushing, 003 Direct Drum	1	003-323-115
165050	Bushing, 003 Forward Clutch Hub (Use 65032)	2	003-519-074
165052	Bushing, 003 Sun Gear	1	003-323-289
165060	Bushing, 003 Rear Ring Gear	1	003-323-373
PART #	METAL CLAD SEALS	QTY.	REFERENCE #
165070	Seal, 003 Front 1969-75	1	003-419-089D
165075	Seal, 003 Governor Shaft 1969-75	1	003-507-125A
165075A	Seal, 003 Final Drive 0969-75	2	003-507-269A
165075B	Seal, 003 Pinion 1965-75	1	010-409-085D
PART #	FRICTION CLUTCH	QTY.	REFERENCE #
165106	Friction, 003 Direct Clutch (.091")	2-3	
165106B	Friction, 003 Forward Clutch (.060")	3	
165119	Friction Module, 003	1	
PART #	STEEL CLUTCH	QTY.	REFERENCE #
165126	Steel, 003 Forward & Direct Clutch (.079") 1969-75	4-5	003-323-139
PART #	CLUTCH PRESSURE PLATES	QTY.	REFERENCE #
165146	Pressure Plate, 003 Forward & Direct Clutch (.062")	1	
165146A	Pressure Plate, 003 Forward & Direct Clutch (.076")	1	
165146B	Pressure Plate, 003 Forward & Direct Clutch (.090")	1	
165146C	Pressure Plate, 003 Forward & Direct Clutch (.104")	1	
PART #	MODULATORS	QTY.	REFERENCE #
165160	Modulator, 003 1969-75	1	

VOLKSWAGEN

### 3 Speed Transaxle

### VW / AUDI 003 (2 Band Type)

PART #	OIL SEALING RINGS	QTY.	REFERENCE #
165175	Ring Kit, 003	1	
165181	Ring, 003 Forward & Direct Clutch	4	
PART #	WASHERS & BEARINGS	QTY.	REFERENCE #
165211	Washer, 003 Pump To Direct Drum (2 Tabs)	1	
165229	Washer, 003 Pump To Forward Drum (3 Tabs)	1	
165230	Washer, 003 Pump To Forward Drum (2 Tabs)	1	
165232	Washer, 003 Forward Drum To Forward Hub	1	
165247	Washer, 003 Planet (Front)	1	
165251	Washer, 003 Planet (Rear)	1	
PART #	GASKETS & RUBBER COMPONENTS	QTY.	REFERENCE #
165300	Gasket, 003 Bottom Pan	1	
165304	Gasket, 003 Plate To Differential Housing	1	
165319	Gasket, 003 Drain Plug (Metal)	1	
165324	Gasket, 003 Plate To Case	1	
165325	Gasket, 003 Axle Flange To Differential Housing	1	
165327	Gasket, 003 Modulator (Metal)	1	
44371A	O-Ring, 003 Filler Tube	1	6264902
PART #	TECHNICAL MANUALS	QTY.	REFERENCE #
65400	Technical Manual, 003	1	
PART #	HARD PARTS	QTY.	REFERENCE #
165520	Pump Assembly, 003	1	
165530	Pump Gear, 003	1	
165544	Pump Plate, 003	1	
165554	Drum, 003 Forward Clutch	1	
165555	Drum, 003 Direct Clutch	1	
165584	Planet Assembly, 003	1	
PART #	SPRAGS & ONE WAY CLUTCHES	QTY.	REFERENCE #
165654	Sprag, 003	1	

# AWTF60SN (09G)

## INFO

PART #	OVERHAUL KITS	QTY	REFERENCE #
--------	---------------	-----	-------------

265002A ..... Overhaul Kit, AWTF60SN (09G VW/Audi) 2003-Up (For Bonded Pistons Sell A265960AK)..... 1 .....

PART #	MASTERL/STEELS KIT	QTY	REFERENCE #
--------	--------------------	-----	-------------

265004A ..... Master L/Steels Kit, AWTF60SN (09G) (Fits Only 1.8L & 1.9L Only) 2003-Up (With 55 Teeth  
.....K2 Friction)(For Bonded Pistons Sell A265960AK) ..... 1 .....

265004AA ..... Master L/Steels Kit, AWTF60SN (09G) (Fits 2.0L/2.5L/3.6L) 2003-Up (With 55 Teeth K2 Friction)  
.....(For Bonded Pistons Sell A265960AK) (Will Also Fit 1.8L & 1.9L) ..... 1 .....

PART #	MASTER W/STEELS KIT	QTY	REFERENCE #
--------	---------------------	-----	-------------

265006A ..... Master W/Steels Kit, AWTF60SN (09G) (Fits Only 1.8L & 1.9L Engine) 2003-Up (With 55 Teeth  
.....K2 Frictions)(For Bonded Pistons Sell A265960AK) ..... 1 .....

PART #	FILTERS	QTY	REFERENCE #
--------	---------	-----	-------------

265010A ..... Filter, AWTF60SN (09G)(VW/Audi) 2003-Up ..... 1 .....

PART #	METAL CLAD SEALS	QTY	REFERENCE #
--------	------------------	-----	-------------

265070A ..... Seal, AWTF60SN (09G) Pump 2003-Up ..... 1 .....

265076A ..... Seal, AWTF60SN (09G) Axle (Both Sides) 2003-Up ..... 1 .....

PART #	FRICTION	QTY	REFERENCE #
--------	----------	-----	-------------

265101A ..... Friction, AWTF60SN (09G) 4th/5th/6th Clutch (K2) (.068")(55 Teeth) 2003-Up ..... 3 .....

265101AA ..... Friction, AWTF60SN (09M) 4th/5th/6th Clutch (K2) (.060")(60 Teeth) 2003-Up ..... 6 .....

265104A ..... Friction, AWTF60SN (09G) 2nd & 6th (B1) Clutch 2003-Up ..... 1 .....

265106A ..... Friction, AWTF60SN (09G) 3rd/5th/Reverse (K3) Clutch 2003-Up ..... 1 .....

265108A ..... Friction, AWTF60SN (09G) 1st/2nd/3rd/4th (K1) Clutch 2003-Up ..... 1 .....

265110A ..... Friction, AWTF60SN (09G) Reverse (B2) Clutch 2003-Up ..... 1 .....

265119A ..... Friction Module, AWTF60SN (09G) (Fits 1.8L & 1.9L Engine) 2003-Up (With 55 Teeth K2  
.....Frictions) ..... 1 .....

265119AA ..... Friction Module, AWTF60SN (09G) (Fits 2.0L/2.5L/3.6L) 2003-Up (With 55 Teeth K2 Frictions) ... 1 .....

PART #	STEELS	QTY	REFERENCE #
--------	--------	-----	-------------

265121A ..... Steel, AWTF60SN (09G) 4th/5th/6th (K2) Clutch (.071")(24 Teeth)(5.000"ID) 2003-Up ..... 1 .....

265124A ..... Steel, AWTF60SN (09G) 2nd & 6th (B1) Clutch (.069")(12 Teeth)(6.614"ID) 2003-Up ..... 1 .....

265126A ..... Steel, AWTF60SN (09G) 3rd/4th/Reverse (K3) Clutch (.070")(40 Teeth)(5.150"ID)(6.380"OD)  
..... 2003-Up ..... 1 .....

265128A ..... Steel, AWTF60SN (09G) 1st/2nd/3rd/4th (K1) Clutch (.070")(40 Teeth)(5.150"ID)(6.019"OD)  
..... 2003-Up ..... 1 .....

265130A ..... Steel, AWTF60SN (09G) Reverse (B2) Clutch (.069")(14 Teeth)(6.220"ID) 2003-Up ..... 1 .....

265139A ..... Steel Module, AWTF60SN (09G VW/Audi) 2003-Up ..... 1 .....

PART #	VALVE BODY KITS	QTY	REFERENCE #
--------	-----------------	-----	-------------

265165A ..... Shift Kit, AWTF60SN (09G) 2003-Up (Transgo)..... 1 .....

PART #	GASKETS & RUBBER COMPONENTS	QTY	REFERENCE #
--------	-----------------------------	-----	-------------

265300AW ..... Gasket, AWTF60SN (09G) Pan (Molded Rubber) 2003-Up ..... 1 .....

PART #	TECHNICAL MANUALS	QTY	REFERENCE #
--------	-------------------	-----	-------------

265400A ..... Technical Manual, AWTF60SN 2003-Up ..... 1 .....

PART #	HARDPARTS	QTY	REFERENCE #
--------	-----------	-----	-------------

265500A ..... Pump Assembly, AWTF60SN (09G) 2003-Up ..... 1 .....

265510A ..... Pump Body, AWTF60SN (09G)(9 Teeth Inner, 10 Teeth Outer Gear) 2003-Up ..... 1 .....

265520A ..... Stator, AWTF60SN (09G) Pump (1 7/16"Long Tube) 2003-Up ..... 1 .....

VOLKSWAGEN

INFO

**AWTF60SN (09G)**

265740AA..... Valve Body, AWTF60SN (09G)(W/2 Pressure Switches)(Oil Cooler Is On Transmission Case) 2003-6/2004 .....	1 .....
265740AB..... Valve Body, AWTF60SN (09G)(W/2 Pressure Switches)(Oil Cooler Is Seperate From Transmission) 2003-6/2004.....	1 .....
265740AC..... Valve Body, AWTF60SN (09G)(W/No Pressure Switches)(Oil Cooler Is On Transmission Case) 7/2004-Up.....	1 .....
265740AD..... Valve Body, AWTF60SN (09G)(W/No Pressure Switches)(Oil Cooler Is Seperate From Transmission) 7/2004-Up.....	1 .....

PART #	VALVE BODY PARTS	QTY	REFERENCE #
--------	------------------	-----	-------------

S255741A-6K .End Plug Kit, AWTF60SN (Small, 9mm Plugs)(Contains: 5 End Plugs & 7 O-Rings) 2003-Up (Sonnax).....	1 .....
S255741AA-6K .End Plug Kit, AWTF60SN (Large, 11mm Plugs)(Contains: 5 End Plugs & 7 O-Rings) 2003-Up (Sonnax).....	1 .....
S255741CK ....Clutch Control Valve Kit, AWTF60SN Lock-Up (Contains: Sleeve, Valve, Spring, Spacer, Plunger Valve, & Plunger Sleeve) 2003-Up (Sonnax)(Must Use T-F-15741-TL29 & T-F-15741-TL29PL & T-VB-FIX).....	1 .....
T-F-15741-TL29 Reamer For S255741CK.....	1 .....
T-F-15741-TL29PL. Adapter For S255741CK.....	1 .....
S255741LK.....Clutch Control Valve Kit, AWTF60SN C1 & K1 (Contains Sleeve, Spring & Valve) 2003-Up (Sonnax)(Must Use T-F-15741-TL25 & T-VB-FIX).....	1 .....
T-F-15741-TL25 Reamer For S255741LK .....	1 .....

PART #	HARDPARTS (Continued)	QTY	REFERENCE #
--------	-----------------------	-----	-------------

S265759-2K.... Ring Tower Sleeve, AWTF60SN K2 Clutch (In Rear Cover) (Sonnax) .....	1 .....
S255927AK ....Accumulator Piston Kit, AWTF60SN Clutch/Band/Line Accumulator (Contains: 1 Accumulator Piston & 1 O-Ring) 2003-Up (Sonnax).....	1 .....
265960AK.....Piston Kit, AWTF60SN (09G VW Audi)(Bonded) 2003-Up.....	1 .....

