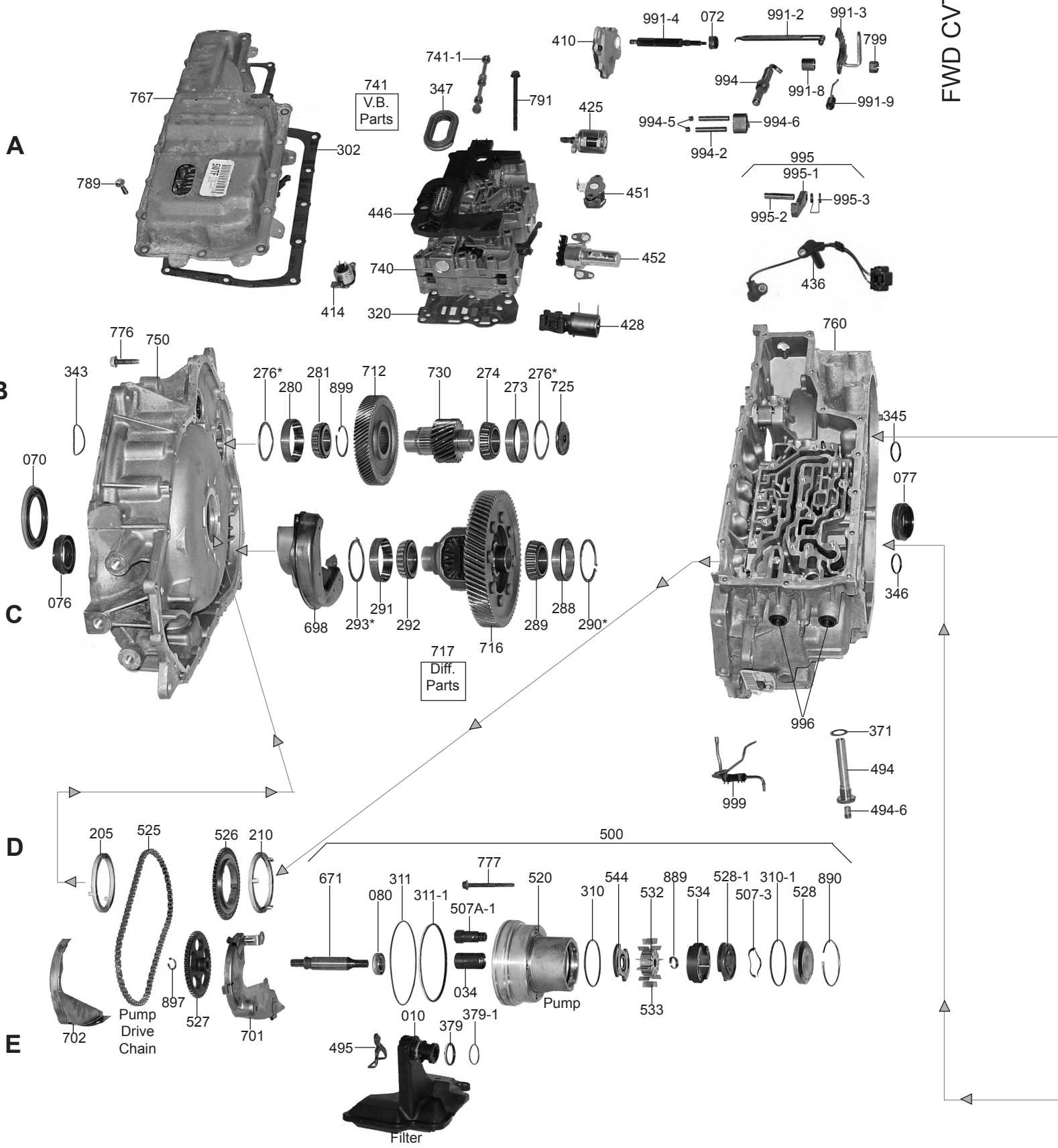


# VT20 / VT25-E



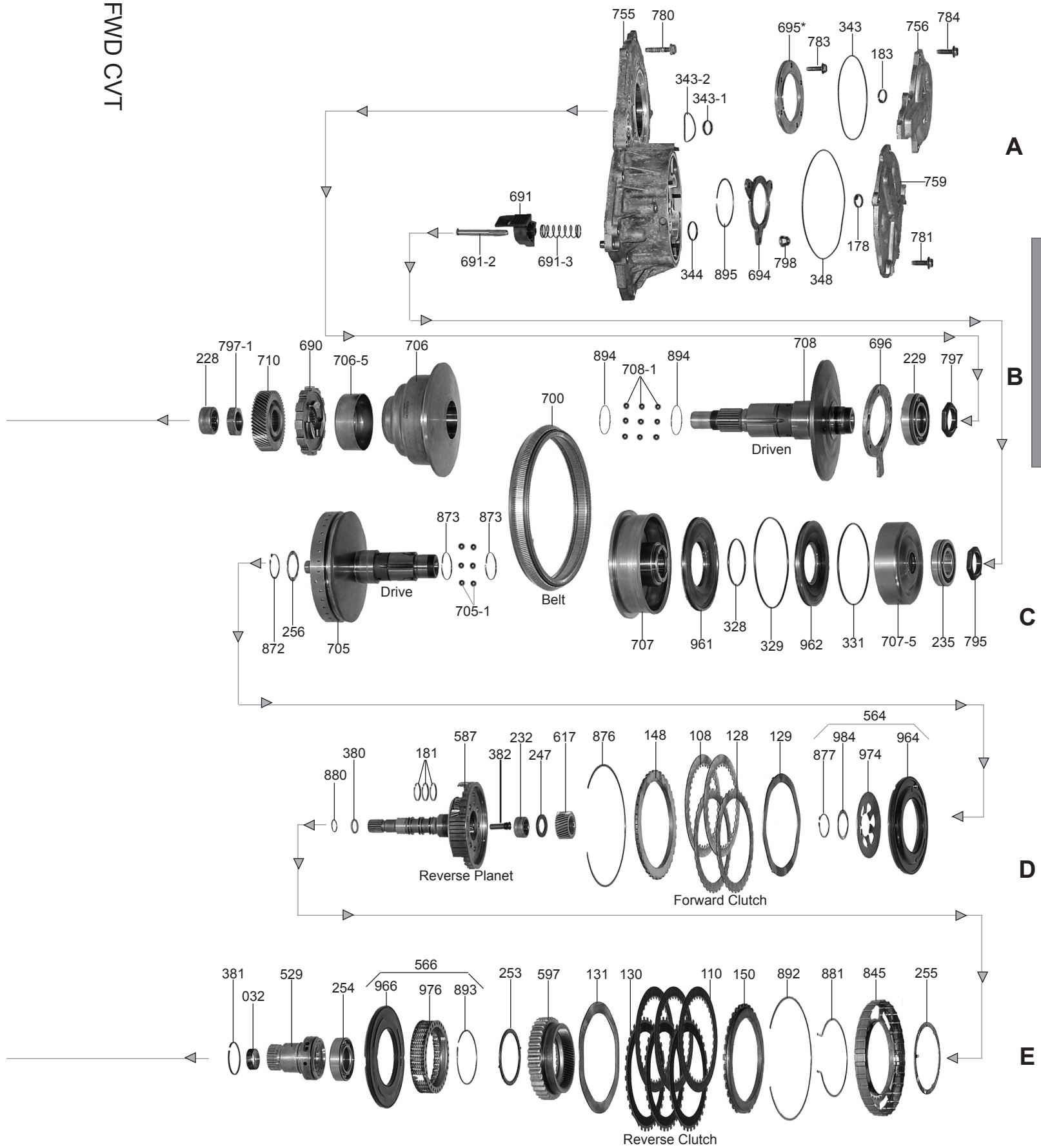
SATURN

FWD CVT



FWD CVT

SATURN



# VT20 / VT25-E



SATURN

PART #	OVERHAUL KITS	QTY	REFERENCE #
205002AP	Overhaul Kit, VT25-E (CVT) (With Bonded Pistons) 2002-Up	1	
PART #	MASTER W/STEELS KITS	QTY	REFERENCE #
205006A	Master W/Steels Kit, VT25-E(CVT)(With 1 Sided Friction/Steels)(With Bonded Pistons) 02-Up	1	
PART #	FILTERS	QTY	REFERENCE #
205010A	Filter, VT25-E (Saturn) 2002-06 (Filtertek)	1	
PART #	BUSHINGS	QTY	REFERENCE #
205030A	Bushing Kit, VT25-E 2002-Up	1	
205032A	Bushing, VT25-E Converter Reactor (Front) (1.110"OD, .985"ID) 2002-Up	1	
205034A	Bushing, VT25-E Pump Housing (1.485"Long, .750"ID) 2002-Up	1	
PART #	METAL CLAD SEALS	QTY	REFERENCE #
205070A	Seal, VT25-E Front (3.353"OD, 2.265"ID) 2002-Up	1	
205072A	Seal, VT25-E Manual Shaft (.355"Thick, .755"OD) 2002-Up	1	
205076A	Seal, VT25-E Axle (Bell Housing Side) (2.132"OD, 1.340"ID) 2002-Up (Also Fits VT25-E Axle (Case Side) # 077 2002-Up)	1-2	
205077A	Use 205076A	1	
205080A	Seal, VT25-E Pump Shaft (1.312"OD, .715"ID) 2002-Up	1	
PART #	FRICTIONS	QTY	REFERENCE #
205108A	Friction, VT25-E Forward Clutch (.060" )(36 Internal Teeth)(6 1/8"OD)(1 Sided Friction) 2002-Up	2	
205110A	Friction, VT25-E Reverse Clutch (.060" )(36 Internal Teeth) (6 1/8"OD) (1 Sided Friction) 2002-Up	3	
205119A	Friction Module, VT25-E (1 Sided Frictions) 2002-06 (Alto)	1	
PART #	STEELS	QTY	REFERENCE #
205128A	Friction, VT25-E Forward Clutch (.059" )(36 External Teeth)(5.050"ID)(1 Sided Friction) 2002-Up	2	
205129A	Steel, VT25-E Forward Clutch (.053" ) (3 Teeth) (5.060"ID) (Waved) 2002-Up	1	
205130A	Friction, VT25-E Reverse Clutch (.061" )(External Teeth)(5.058"ID)(1 Sided Friction) 2002-Up	3	
205131A	Steel, VT25-E Reverse Clutch (.055" ) (No Teeth) (6 1/2"OD, 5 1/8"ID) (Waved) 2002-Up	1	
PART #	PRESSURE PLATES	QTY	REFERENCE #
205148A	Pressure Plate, VT25-E Forward Clutch (.100" ) (36 Teeth) (5.020"ID) (Stepped) (Stamped Letter B) 2002-Up	1	
205148AA	Pressure Plate, VT25-E Forward Clutch (.110) (36 Teeth) (5.020"ID) (Stepped) (Stamped Letter C) 2002-Up	1	
205148AB	Pressure Plate, VT25-E Forward Clutch (.120" ) (36 Teeth) (5.020"ID) (Stepped) (Stamped Letter D) 2002-Up	1	
205148AC	Pressure Plate, VT25-E Forward Clutch (.130" ) (36 Teeth) (5.020"ID) (Stepped) (Stamped Letter E) 2002-Up	1	
205148AD	Pressure Plate, VT25-E Forward Clutch (.140" ) (36 Teeth) (5.020"ID) (Stepped) (Stamped Letter F) 2002-Up	1	
205150A	Pressure Plate, VT25-E Reverse Clutch (.118" ) (31 Teeth) (Stepped) (5.015"ID) (Stamped Letter H) 2002-Up	1	
PART #	SEALING RINGS	QTY	REFERENCE #
205175A	Ring Kit, VT25-E (CVT) (Teflon) 2002-Up	1	
205178AT	Ring, VT25-E Drive Pulley Shaft To Drive Pulley Cover (.076"Thick, .840"OD) (Teflon) 2002-Up (Also Fits VT25-E Driven Pulley Shaft To Driven Pulley Cover)	1-2	
205181AT	Ring, VT25-E Input Shaft (Large Ones) (1.070"OD) (Solid, Teflon) 2002-Up	3	
205183AT	Use 205178AT	1	
PART #	WASHERS & BEARINGS	QTY	REFERENCE #
205205A	Washer, VT25-E Bell Housing To Drive Pump Sprocket (.198"Thick, 3.360"OD, 2.830"ID) 2002-Up (Also Fits Drive Pump Sprocket To Case # 210 2002-Up)	1-2	
205210A	Use U205205A	1	



# VT20 / VT25-E

SATURN

205228A	Caged Needle Bearing, VT25-E Bell Housing To Driven Pulley Shaft (.775"Thick, 1.690"OD) ..... (12 Needles) (Cast # FC69847 INA) 2002-Up	1
205229A	Ball Bearing, VT25-E Driven Pulley Shaft To Case Cover (.707"Thick, 3.150"OD, 1.575"ID) ..... (Cast # BAQ-3929A/HN3 SKF) (Stepped On OD) 2002-Up	1
205232A	Caged Needle Bearing, VT25-E Reverse Planet To Drive Pulley # 705 (.790"OD) (14 Needles) ..... (Cast # F-234550 INA) 2002-Up	1
205235A	Ball Bearing, VT25-E Drive Pulley (Rear) (.590"Thick, 2.835"OD, 1.375"ID) (9 Balls) ..... (Cast # 803901 FAG) 2002-Up	1
205247A	Washer, VT25-E Reverse Planet To Sun Gear (.078"Thick, 1.380"OD, .794"ID) (Plastic) ..... 2002-Up	1
205253A	Washer, VT25-E Case To Reverse Clutch Hub (.112"Thick, 3.352"OD, 2.800"ID) (Plastic) ..... (2 Outer Tabs) 2002-Up	1
205254A	Ball Bearing, VT25-E Case To Input Shaft (.630"Thick, 2.520"OD, 1.338"ID) 2002-Up	1
205255A	Washer, VT25-E Reverse Planet Ring Gear To Reverse Planet (.065"Thick, 4.325"OD, 3.720"ID) ..... (W/3 ID Tabs) 2002-Up	1
205256A	Use U205984A	1
205273A	Cup Race, VT25-E Pinion To Case (2.330"OD, 1.905"ID) (Cast # NP 735478 Timken) 2002-Up ..... (Also Fits VT25-E Pinion To Bell Hsg # 280 2002-Up)	1-2
205274A	Cone Bearing, VT25-E Pinion To Case (1.250"ID) (19 Rollers) (Cast # NP 785304 Timken) ..... 2002-Up (Also Fits VT25-E Pinion To Bell Hsg # 281 2002-Up)	1-2
205276A	Shim, VT25-E Pinion To Case (Selective) (2.345"OD, 1.960"ID) 2002-Up (Also Fits Pinion To ..... Bell Housing)	1
205280A	Use U205273A	1
205281A	Use U205274A	1
205288A	Cup Race, VT25-E Differential Bearing To Case (.528"Thick, 2.480"OD, 2.058"ID) ..... (Cast # NP350068 Timken) 2002-Up (Also Fits VT25-E Differential To Bell Housing # 291 ..... 2002-Up)	1-2
205289A	Cone Bearing, VT25-E Differential To Case (1.495"ID) (22 Rollers) (Cast # NP423815) 2002-Up ..... (Also Fits VT25-E Differential To Bell Housing # 292)	1-2
205290A	Shim, VT25-E Differential Cup Race To Case (Selective) (2.440"OD, 2.098"ID) (2 Ears W/Open ..... End) 2002-Up (Also Fits VT25-E Differential To Bell Housing # 293 2002-Up)	1-2
205291A	Use 205288A	1
205292A	Use U205289A	1
205293A	Use U205290A	1

PART #	GASKETS & RUBBER COMPONENTS	QTY	REFERENCE #
--------	-----------------------------	-----	-------------

205302A	Gasket, VT25-E Top Pan (17 Holes) (7"Wide, 17 3/4"Long) 2002-Up	1
205320A	Plate, VT25-E Valve Body (Bonded) (Cast # 585) 2002-Up	1
205347A	Boot, VT25-E Case Connector To Top Pan (.473"Thick, 1 5/8"Wide, 2 7/8"Long) (Oval) (Orange) ..... 2002-Up	1

PART #	TECHNICAL MANUALS	QTY	REFERENCE #
--------	-------------------	-----	-------------

205400A	Technical Manual, VT20/VT25E (ATRA)	1
---------	-------------------------------------	---

PART #	ELECTRICAL COMPONENTS	QTY	REFERENCE #
--------	-----------------------	-----	-------------

205410A	Neutral Safety Switch, VT25-E (10 Blade Connector) 2002-Up	1
205414A	Sensor, VT25-E Tier 2 Feed Fluid Pressure (3 Blade)(Cast # PPO-PA-GF30) 2002-Up	1
205425A	Solenoid, VT25-E Neutral Idle/TCC Control (2 Blade)(1 Bolt)(Cast # D26E025i) 2002-Up	1
205428A	Solenoid, VT25-E Line Pressure Control (2 Blade)(3 Bolt)(Cast # D23N0228) 2002-Up	1
205436A	Sensor, VT25-E Input & Output Speed (2 Sensors) (7 Prong Connector) 2002-Up	1
205446A	Circuit Board, VT25-E (20 Blade Case Connector & 4 Blade Internal Connector) ..... (Cast# 953981-1 Borg Warner) 2002-Up	1
205451A	Solenoid, VT25-E Neutral Idle/TCC On/Off (2 Blade)(2 Bolt)(With Open Windings) 2002-Up	1
205452A	Ratio Control Motor, VT25-E (5 Blade)(2 Bolt)(Cast # 1083L) 2002-Up	1
205495A	Bracket, VT25-E Filter (1 Bolt) 2002-Up	1

PART #	HARDPARTS	QTY	REFERENCE #
--------	-----------	-----	-------------

205500A	Pump Assy, VT25-E (12 Vane) 2002-Up	1
205525A	Chain, VT25-E Pump Drive (49 Links, .265"Wide) 2002-Up	1
205526A	Sprocket, VT25-E Pump Drive (53 Teeth)(.470"Thick, 4.140"OD, 2.320"ID) (2 ID Notches) ..... 2002-Up	1
205527A	Sprocket, VT25-E Pump Driven (48 Teeth) (3.740"OD) (14 Inner Splines) 2002-Up	1
205529A	Converter Reactor, VT25-E (3.020" Long, 2.600"OD, 1.795"ID) (31 Splines) 2002-Up	1
205564A	Piston Kit, VT25-E Forward Clutch (Bonded) 2002-Up	1
205566A	Piston Kit, VT25-E Reverse Clutch (Bonded) 2002-Up	1



# VT20 / VT25-E



SATURN

205587A	Planet W/Shaft, VT25-E Reverse (6 Gear) (6 9/16" Tall) (Uses 32 Teeth Sun Gear # 617)	1
205597A	Ring W/Hub, VT25-E Reverse Planet W/Forward Clutch Hub (71 Teeth) (36 Outer Clutch Splines) (1.340" Thick) 2002-Up	1
205617A	Sun Gear, VT25-E Reverse Planet (32 Teeth) (.755" Thick, 1.606" OD) 2002-Up	1
205671A	Shaft, VT25-E Pump Drive (4 11/16" Long, .750" OD) 2002-Up	1
205690A	Park Gear, VT25-E (12 Lugs) (27 Splines) (.785" Thick, 4.065" OD) 2002-Up	1

PART #	HARDPARTS	QTY	REFERENCE #
--------	-----------	-----	-------------

205691A	Variable Drive Pulley Follower, VT25-E (2.290" Long) (Black Plastic) 2002-Up	1
205691A-2	Variable Drive Pulley Follower Pin, VT25-E (3.095" Long, .310" OD) 2002-Up	1
205691A-3	Variable Drive Pulley Follower Spring, VT25-E (2.235" Long, .780" OD) 2002-Up	1
205694A	Retainer, VT25-E Holds Bearing # 235 To Case Cover (3 Bolt Steel) (2.405" ID) 2002-Up	1
205695A	Retainer, VT25-E Holds Bearing # 229 To Case Cover (Selective) (6 Holes) (4.410" OD, 2.794" ID) 2002-Up	1
205696A	Retainer, VT25-E (Ball Bearing # 229) (.236" Thick, 4.415" OD, 3.050" ID) (1 Long Outer Tab) (8 Holes) 2002-Up	1
205697A	Oil Tube, VT25-E Inside Rear Of Reverse Planet (Bonded) (.390" OD) 2002-Up	1
205698A	Oil Baffle, VT25-E Differential (3 Bolts To Bell) (Stamped 1573) 2002-Up	1
205700A	Belt, VT20/VT25-E Drive 2002-Up (Use U205707AK)	1
205701A	Chain Guard, VT25-E (Rear) (3 Clips, 3 Bolt Holes) (Tin) (Stamped 2704 0424) 2002-Up	1
205702A	Chain Guard, VT25-E (Front) (3 Slots, 1 Hole) (Tin) (Stamped 2705 0417) 2002-Up	1
205705A	Drive Pulley, VT25-E (Front Half) (8" Long, 6 3/4" OD) (.790" OD Front Pilot) (1.380" OD Threads) 2002-Up (Use U205707AK)	1
205705-1A	Steel Ball, VT25-E Pulley Guides (.236" OD) (Drive Pulley Takes 9 Balls) (Driven Pulley Takes 6 Balls) 2002-Up	6-15
205706A	Driven Pulley, VT25-E (Front Half) (3.965" Tall, 6 3/4" OD, 2.235" ID) 2002-Up (Use U205707AK)	1
205706A-5	Cover, VT25-E Driven Pulley (Front Half) (Tin) (1.165" Thick, 3.240" OD) (3 ID Notches) 2002-Up	1
205707A	Drive Pulley, VT25-E (Rear Half) (2.600" Thick, 6 1/2" OD) (2.600" OD Of Neck, 1.965" ID Of Bore) 2002-Up (Use U205707AK)	1
205707A-5	Cover, VT25-E Drive Pulley (Rear Half) (1.514" Thick, 5.350" OD) (Cast # 700259/12 & 04/244/0303) 2002-Up	1
205707AK	Pulley Assembly, VT25-E (Contains: From # 587 to # 795 On The Drive Pulley & From # 797-1 To #755 On The Driven Pulley) 2002-Up (This Is A Rebuilt Assembly) (This Assembly Comes With A Master W/Steels Kit #205006AP Less The Parts We Used To Rebuild The Assembly)	1
205708A	Driven Pulley, VT25-E (Rear Half) (9 1/2" Tall, 6 15/16" OD) (Threaded Both Ends) 2002-Up (Use U205707AK)	1
205708-1A	Use U205705-1A	9
205710A	Drive Transfer Gear, VT25-E (51 Teeth) (.885" Thick, 3.620" OD) (27 Splines) 2002-Up	1
205712A	Driven Transfer Gear, VT25-E (72 Teeth) (.845" Thick, 5.040" OD) 2002-Up	1
205716A	Differential Assembly, VT25-E (74 Teeth, 2 Groove, 1.148" Thick, 7 13/16" OD Ring Gear) (8 Rivits) 2002-Up	1
205716F	Differential Assembly, VT25-E (80 Teeth, 3 Groove) (1.150" Thick) (7 9/16" OD Ring Gear) 2002-Up	1
205725A	Case Plug, VT25-E Pinion To Case (1.945" OD) (Cast # 2421493 & 030641) 2002-Up	1
205730A	Pinion, VT25-E (21 Teeth, 2 Groove, 2.470" OD Gear) (3.805" Long) 2002-Up	1
205730F	Pinion, VT25-E (26 Teeth, 3 Groove, 2.665" OD Gear) (3.805" Long) 2002-Up	1
205740A	Valve Body, VT25-E (5 Switch) (Cast # 20600013DB) 2002-Up (Customer Must Use Their Circuit Board)	1
205741A-1	Manual Valve, VT25-E Valve Body (5 3/4" Long) 2002-Up	1
205750A	Bell Housing, VT25-E (5 1/8" Top Bolts) (Starter At 3:30) (Cast # 24222691) 2002-Up	1
205750AA	Bell Housing, VT25-E (5 1/8" Top Bolts) (Starter At 3:30) (Cast # 24222585) 2002-Up	1
205750AB	Bell Housing, VT25-E (AWD) (5 1/8" Top Bolts) (Starter At 3:30) (Cast # 24222679) 2002-Up	1
205755A	Case Cover, VT25-E (Aluminum) (14 Bolts To Case) (Cast # 24219404) 2002-Up	1
205756A	Rear Cover, VT25-E Driven Pulley (Aluminum, 6 Bolt) (Cast # 24223006/1) 2002-Up	1
205759A	Rear Cover, VT25-E Drive Pulley (Aluminum, 4 Bolt) (Cast # 24223007/1) 2002-Up	1
205760A	Case, VT25-E (Cast # 24222695) 2002-Up	1
205767A	Pan, VT25-E Top (17 Bolt, Tin) 2002-Up	1
205776AK	Bolt Set, VT25-E Bell Housing To Case (22 Pieces) 2002-Up	1
205777AK	Bolt Set, VT25-E Pump To Case (4 Pieces) 2002-Up	1
205780AK	Bolt Set, VT25-E Case Cover To Case (14 Pieces) 2002-Up	1
205781AK	Bolt Set, VT25-E Drive Pulley Rear Cover (4 Pieces) 2002-Up	1
205783AK	Bolt Set, VT25-E Holds Retainer # 695 To Case Cover (3 Pieces) (10mm) 2002-Up	1
205784AK	Bolt Set, VT25-E Driven Pulley Rear Cover (6 Pieces) 2002-Up	1
205789AK	Bolt Set, VT25-E Top Pan (17 Pieces) 2002-Up	1
205791AK	Bolt Set, VT25-E Valve Body To Case (18 Pieces) 2002-Up	1
205795A	Nut, VT25-E Drive Pulley Shaft (.308" Thick, 1.325" ID) (46mm) 2002-Up	1
205797A	Nut, VT25-E Driven Pulley Shaft (Rear) (1.445" ID) (49mm) 2002-Up	1



# VT20 / VT25-E

205797A-1	Nut, VT25-E Driven Pulley Shaft (Front) (1.125"ID) (42mm) 2002-Up	1
205798AK	Nut Set, VT25-E Holds Bearing Retainer To Case Cover (3 Pieces) (10mm) 2002-Up	1
205799A	Nut, VT25-E Holds Manual Shaft To Rooster Comb 2002-Up	1
205845A	Reluctor, VT25-E Speed Sensor (6 7/8"OD) (30 Outer Splines) 2002-Up	1
205872A	Use U205877A	1
205873A	Snap Ring, VT25-E Holds 9 Check Balls To Drive Pulley Shaft (Front) (.070"Thick, 1.665"OD) 2002-Up	1
205873AA	Snap Ring, VT25-E Holds 9 Check Balls To Drive Pulley Shaft (Rear) (.070"Thick, 1.960"OD) 2002-Up	1
205876A	Snap Ring, VT25-E Holds Forward Clutch Pressure Plate In Front Drive Pulley Half (.059"Thick, 7 3/16"OD) 2002-Up	1
205877A	Snap Ring, VT25-E Holds Forward Clutch Return Spring In Drive Pulley (.050"Thick, 1.375"OD) (W/2 Eyelets) 2002-Up (Also Fits VT25-E Snap Ring # 872 2002-Up)	1
205881A	Snap Ring, VT25-E Holds Reluctor To Reverse Planet (.058"Thick, 4 3/4"OD) (W/2 Ears) 2002-Up	1
205892A	Snap Ring, VT25-E Holds Reverse Clutch Pressure Plate In Case (.059"Thick, 7 3/8"OD) 2002-Up	1
205893A	Snap Ring, VT25-E Holds Reverse Clutch Return Spring In Case (.058"Thick, 3.220"OD) 2002-Up	1
205894A	Snap Ring, VT25-E Holds 6 Check Balls To Drive Pulley Shaft (.070"Thick, 1.644"OD) (1 V Notch) 2002-Up	2
205895A	Snap Ring, VT25-E Holds Bearing # 235 To Case Cover 2002-Up	1
205897A	Snap Ring, VT25-E Holds Driven Sprocket To Pump Shaft (.037"Thick, .520"OD) (W/2 Eyelets) 2002-Up	1
205899A	Snap Ring, VT25-E Holds Driven Transfer Gear To Pinion Shaft (.061"Thick, 1.755"OD) (W/2 Eyelets) 2002-Up	1
205961A	Piston, VT25-E Drive Pulley Apply (.555"Thick, 5.582"OD, 2.600"ID) 2002-Up	1
205962A	Piston, VT25-E Drive Pulley Balance (.480"Thick, 5.070"OD, 2.243"ID) 2002-Up	1
205964A	Piston, VT25-E Forward Clutch (.555"Thick, 5.745"OD, 3.075"ID) (Bonded) (W/Check Ball) 2002-Up	1
205966A	Piston, VT25-E Reverse Clutch (Bonded) (.475"Thick, 6 1/4"OD, 3.395"ID) 2002-Up	1
205974A	Spring, VT25-E Forward Clutch Return (.063"Thick, 3.845"OD, 6 Fingers) 2002-Up	1
205976A	Spring & Retainer, VT25-E Reverse Clutch Return (.920"Thick, 4.380"OD, 3.240"ID) (30 Coil Springs) 2002-Up	1
205984A	Retainer, VT25-E Forward Clutch Return Spring (.020"Thick, 1.750"OD, 1.260"ID) 2002-Up (Also Fits VT25-E Spacer # 256 2002-Up)	1-2
205991A-4	Manual Shaft, VT25-E (4 7/8" Long) 2002-Up	1
205994A	Park Rod Actuator, VT25-E (4 7/8" Long, .710"OD Ball) 2002-Up	1
205995A	Park Pawl Assembly, VT25-E (3 Pieces) (2.715" Long Park Pawl) 2002-Up	1
205996A	Fitting, VT25-E Cooler Line (Push-In Type) (Bonded) 2002-Up	1
205999A	Tube Set, VT25-E (2 Pieces Metal Held By Rubber Hose) 2002-Up	1

SATURN