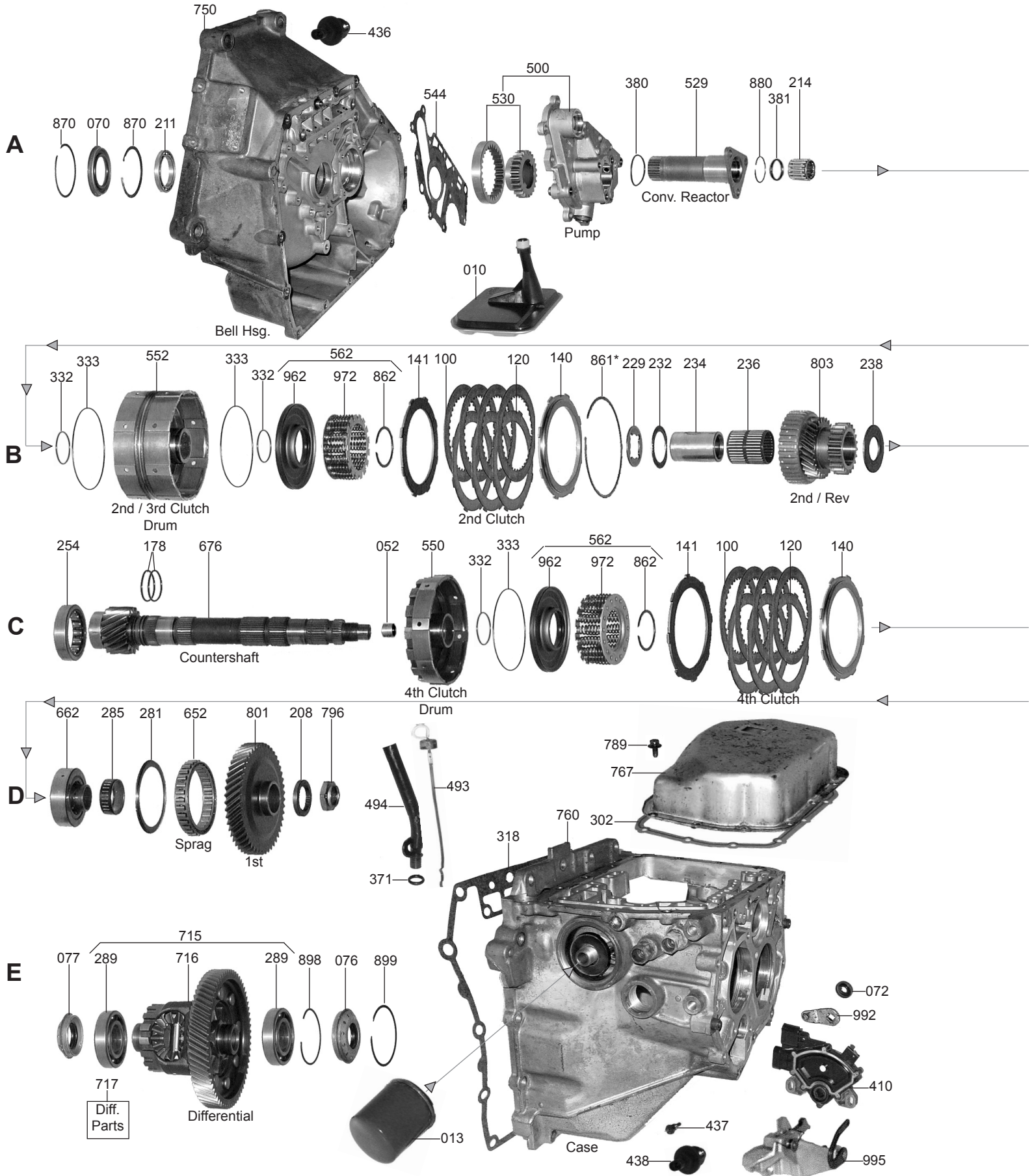
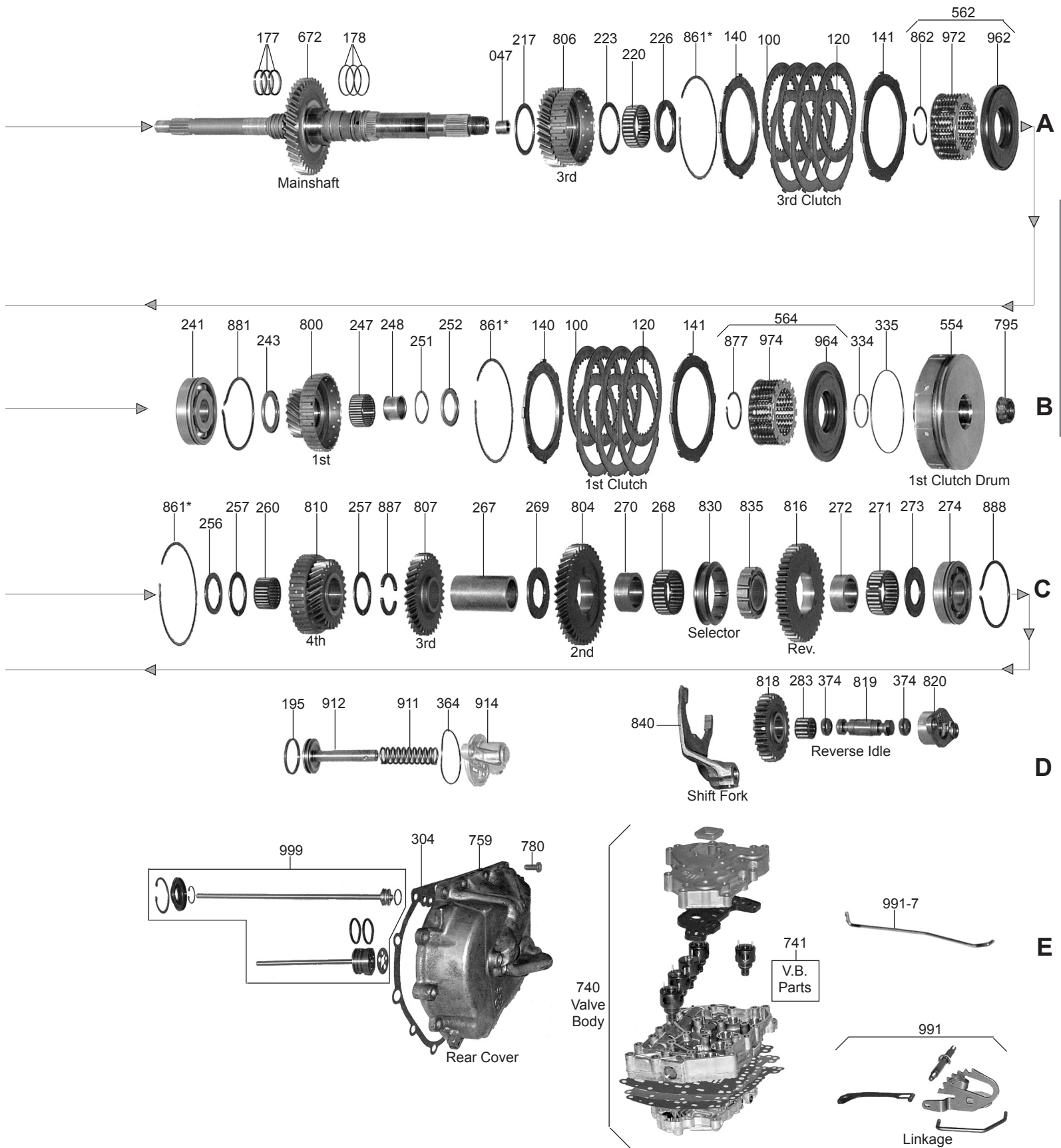


SATURN





PART #	PAPER & RUBBER KIT	QTY.	REFERENCE #
10000A	Paper & Rubber Kit, Saturn (With Out Bonded Pistons) 1991-Up	1	
PART #	OVERHAUL KITS	QTY.	REFERENCE #
10002A	Overhaul Kit, Saturn (For Bonded Pistons Sell 3-10962A & 1-10964A) 1991-Up	1	
PART #	MASTER L/STEEL KIT	QTY.	REFERENCE #
10004AP	Use 10006AP (Frictions & Steels Are 1 Sided) There Is No Less Steels Kit	1	
PART #	MASTER W/STEEL KIT	QTY.	REFERENCE #
10006A	Master W/Steels Kit, Saturn (For Bonded Pistons Sell 3-10962A & 1-10964A) 1991-Up	1	
PART #	FILTER	QTY.	REFERENCE #
10010A	Filter, Saturn Sump (Internal) 1991-Up	1	21002346
10013A	Filter, Saturn (Spin-On) External 1991-Up	1	21002303
PART #	MISC. FILTERS	QTY.	REFERENCE #
10015	Filter, Saturn Thimble Screen (Small) 1991-Up	1	
10017	Filter, Saturn Thimble Screen (Large) 1991-Up	1	
PART #	BUSHINGS	QTY.	REFERENCE #
10030A	Bushing Kit, Saturn 1991-Up	1	
10047A	Bushing, Saturn Mainshaft (Rear) (Also Fits Countershaft (Rear) # 052) 1991-Up	1-2	
10052A	Use 10047A	1	
PART #	METAL CLAD SEALS	QTY.	REFERENCE #
10070A	Seal, Saturn Front 1991-Up3	1	21001660
10072A	Seal, Saturn Linkage Shaft	1	21001532
10074A	Seal, Saturn Rear Cover To Pinion Shaft Pilot (Black Plastic)	1	21001662
10076AA	Seal, Saturn Left Axle (Case Side)	1	21002283
10077A	Seal, Saturn Right Axle (Bell Housing Side)	1	
10077AB	Seal, Saturn Right Axle (Bell Housing Side) (With Rock Shield)	1	
PART #	FRICION CLUTCH	QTY.	REFERENCE #
10100A	Friction, Saturn (All Drums) .061" (With 1 Sided Friction) Internal Splines (Use With 10120A & 10141A)	15	21002870
PART #	STEEL CLUTCH	QTY.	REFERENCE #
10120A	Steel, Saturn (All Drums) .061" (With 1 Sided Friction) External Splines (Use With 10100A & 10141A)	11	21002871
PART #	CLUTCH PRESSURE PLATES	QTY.	REFERENCE #
10140A	Pressure Plate, Saturn (All Drums) Top	4	21001597
10141A	Apply Plate, Saturn (All Drums) .130" (With 1 Sided Friction) External Splines (Use With 10100A & 10120A)	4	21002567
PART #	OIL SEALING RINGS	QTY.	REFERENCE #
10175A	Ring Kit, Saturn 1991-Up	1	
10195AT	Ring, Saturn Servo Piston (Teflon) 1991-04	1	21002298
PART #	WASHERS & BEARINGS	QTY.	REFERENCE #
10208A	Washer, Saturn Under Counter Shaft Nut	1	
10211A	Bearing, Saturn Converter Nut To Bell Housing	1	
10214A	Roller Bearing, Saturn Converter Reactor To Mainshaft	1	
10217A	Thrust Bearing, Saturn Mainshaft To 3rd Gear	1	
10220A	Roller Bearing, Saturn 3rd Gear To Mainshaft	1	
10223A	Thrust Bearing, Saturn 3rd Gear To 2nd/3rd Drum	1	



FWD 4 Speed

10226ARace, Saturn 3rd Gear To 2nd/3rd Drum	1
10229ARace, Saturn 2nd/3rd Drum To 2nd/Reverse Gear	1
10232AThrust Bearing, Saturn 2nd/3rd Drum To 2nd/Reverse Gear	1
10234ACollar, Saturn Mainshaft To 2nd/Reverse Gear	1
10236ARoller Bearing, Saturn 2nd/Reverse Gear To Collar	1
10238AThrust Bearing, Saturn 2nd/Reverse Gear To Ball Bearing	1
10238AAThrust Bearing With Race, Saturn 2nd/Reverse Gear To Ball Bearing	1
10241ABall Bearing, Saturn Mainshaft To Case	1
10243AThrust Washer, Saturn Ball Bearing To 1st Gear (Mainshaft)	1
10247ARoller Bearing, Saturn 1st Gear To Mainshaft	1
10248ACollar, Saturn 1st Gear To Mainshaft	1
10251AThrust Bearing, Saturn 1st Gear To 1st Clutch Drum (Mainshaft)	1
10252ARace, Saturn 1st Gear To 1st Clutch Drum (Mainshaft)	1
10254ARoller Bearing, Saturn Bell Housing To Countershaft	1
10256ARace, Saturn 4th Clutch Drum To 4th Gear (Countershaft)	1
10257AThrust Bearing, Saturn 4th Clutch Drum To 4th Gear (Countershaft) And 4th Gear To 3rd Gear (Countershaft)	1
10260ARoller Bearing, Saturn 4th Gear To Countershaft	1
10267ACollar, Saturn 3rd Gear To 2nd Gear (Countershaft)	1
10268ARoller Bearing, Saturn 2nd Gear To Countershaft (1.575"OD)	1
10268BRoller Bearing, Saturn 2nd Gear To Countershaft (1.810"OD)	1
10269ARace, Saturn Collar To 2nd Gear (Countershaft)	1
10270ACollar, Saturn 2nd Gear To Countershaft	1
10271ARoller Bearing, Saturn Reverse Gear To Countershaft	1
10272ACollar, Saturn Reverse Gear To Countershaft	1
10273ARace, Saturn Reverse Gear To Ball Bearing (Countershaft)	1
10274ABall Bearing, Saturn Countershaft To Case	1
10281ARetainer, Saturn Holds Sprag In	1
10283ARoller Bearing, Saturn Reverse Idler Gear To Shaft	1
10285ARoller Bearing, Saturn 1st Gear To Inner Sprag Race (Countershaft)	1
10289ABall Bearing, Saturn Differential (Both Sides)	1

SATURN

PART #	GASKETS	QTY.	REFERENCE #
--------	---------	------	-------------

10302AGasket, Saturn Top Pan 1991-96	1	21001683
10302BWGasket, Saturn Top Pan (Molded Rubber) 1997-02	1	
10304AGasket, Saturn Rear Cover To Case 1991-Up	1	21001684
10318AGasket, Saturn Bell Housing To Case 1991-Up	1	21003108
10320AGasket, Saturn Valve Body Spacer Plate (Upper & Lower) (Takes 2) 1993-96	2	
10320BGasket, Saturn Valve Body Spacer Plate (Upper & Lower) (Takes 2) 1997-04	2	
10374AO-Ring, Saturn Idler Gear Shaft (Takes 2) 1991-04	2	

PART #	TECHNICAL MANUALS	QTY.	REFERENCE #
--------	-------------------	------	-------------

10400ATechnical Manual, Saturn (TAAT) 1991-Up	1	Saturn TAAT
--------	--	---	-------------

PART #	ELECTRICAL COMPONENTS	QTY.	REFERENCE #
--------	-----------------------	------	-------------

10410ANeutral Switch, Saturn	1	21020129
10410ABNeutral Switch, Saturn (SL2) 1995	1	
10421AActuator, Saturn Shift (Solenoid) Blue Top 1991-92	5	21002248
10421AAActuator, Saturn Shift (Solenoid) Red Top 1993-96	5	21002509
10421ABActuator, Saturn Shift (Solenoid) Red Top 1997-Up	5	
10421ACActuator, Saturn Shift (Solenoid) White Top 1997-Up (Retro Fits 1993-Up)	5	
10436ASensor, Saturn Output Speed (VSS) & Input Speed	1	
10437ASensor, Saturn Oil Temperature (2 Prong)	1	
10438AUse 10436A	1	
10444AConnector, Saturn Actuator 1991-Up	1	2100828
10446ARepair Kit, Saturn Wire Harness (External)(Rostra) 1995-Up	1	

PART #	MISC. COMPONENTS	QTY.	REFERENCE #
--------	------------------	------	-------------

10494AFiller Tube, Saturn	1	
--------	--------------------------	---	--

PART #	HARD PARTS	QTY.	REFERENCE #
--------	------------	------	-------------

10500APump Assembly, Saturn	1	
--------	----------------------------	---	--

PART #	PUMP COMPONENTS	QTY.	REFERENCE #
10507A-4K.....	Retainer/Clip Kit, Saturn Lube Relief Valve (Has 3 Retainers & 3 Clips) Fixes 3 Transmissions ...	1	
10529A.....	Converter Reactor, Saturn (Stator Tube) 18 Splines.....	1	21003132
10529B.....	Converter Reactor, Saturn (Stator Tube) 29 Splines (4 1/2" Long).....	1	
10530A.....	Pump Gears, Saturn.....	1	
10544A.....	Plate, Saturn Pump To Bell Housing.....	1	

PART #	HARD PARTS (Continued)	QTY.	REFERENCE #
10550A.....	Drum, Saturn 4th Clutch.....	1	21003100
10552A.....	Drum, Saturn 2nd & 3rd Clutch.....	1	21001946
10554A.....	Drum, Saturn 1st Clutch.....	1	21001943
10562A.....	Piston Kit, Saturn For 2nd, 3rd & 4th Clutch Drums.....	3	
10564A.....	Piston Kit, Saturn 1st Clutch Drum.....	1	

PART #	SPRAGS & ONE WAY CLUTCHES	QTY.	REFERENCE #
10652A.....	Sprag, Saturn Input.....	1	21001594
10662A.....	Inner Race, Saturn Sprag.....	1	

PART #	HARD PARTS (Continued)	QTY.	REFERENCE #
10672A.....	Mainshaft, Saturn (40 Teeth) (.460" Thick Gear).....	1	21001729
10672AA.....	Mainshaft, Saturn (40 Teeth) (.490" Thick Gear).....	1	21002104
10672B.....	Mainshaft, Saturn (42 Teeth) (.450" Thick Gear).....	1	21002188
10672BA.....	Mainshaft, Saturn (42 Teeth) (.490" Thick Gear) No Groove Under # 234 Race.....	1	
10672BB.....	Mainshaft, Saturn (42 Teeth) (.490" Thick Gear) 2 Grooves Under #234 Race.....	1	
10676A.....	Countershaft, Saturn Output Shaft (15 Teeth).....	1	
10676B.....	Countershaft, Saturn Output Shaft (16 Teeth).....	1	
10676C.....	Countershaft, Saturn Output Shaft (17 Teeth).....	1	
10676D.....	Countershaft, Saturn Output Shaft (18 Teeth).....	1	
10715A.....	Differential Assembly, Saturn With 62 Teeth Ring Gear 1991-94.....	1	21002752
10715B.....	Differential Assembly, Saturn With 65 Teeth Ring Gear 1995-98.....	1	
10740A.....	Valve Body, Saturn 1st Design (With TCC Enable Valve In Lower Valve Body Section) 1991-92 Has A Flat Area On Manual Valve.....	1	21002273
10740AA.....	Valve Body, Saturn 2nd Design (No TCC Enable Valve In Lower Valve Body Section) 1992-93 No Plastic End On Manual Shaft.....	1	
10740B.....	Valve Body, Saturn 3rd Design 1994-Up (With Plastic End On Manual Valve) 1992-02 (Complete Valve Body, Fully Tested, Ready To Install) Has Sonnax Part # S10741P-1AK And S10741P-2K Installed.....	1	21005971

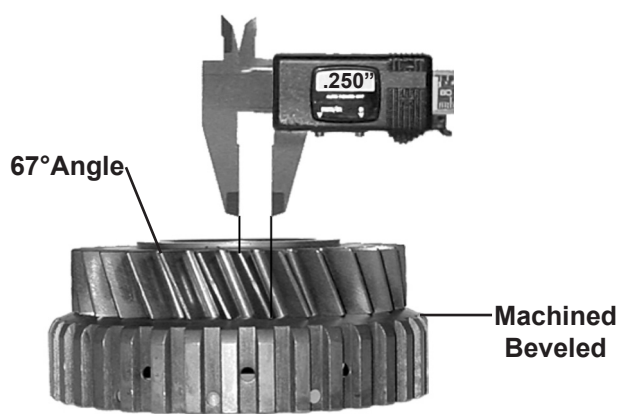
PART #	VALVE BODY COMPONENTS	QTY.	REFERENCE #
A10741C-9.....	O-Ring, Saturn (TAAT) TCC Shift Valve Plunger (Small) 1991-04.....	1	
S10741PK.....	Sure Cure Kit, Saturn (TAAT) (Sonnax) (Use Tool # T-95200-TL).....	1	
S10741P-1.....	Valve, Saturn Pressure Regulator.....	1	
S10741P-1AK.....	Valve & Sleeve Assembly, Saturn Pressure Regulator Boost (Type 2 Valve Body) 2 O-Ring Type (Sonnax).....	1	
S10741P-2K.....	Sleeve Assembly, Saturn Pressure Regulator (Sleeve & Retainer) Use With T-95200-TL Reamer (Sonnax).....	1	
T-95200-TL.....	Reamer Assembly, Saturn (Use With S10741P-2K) (Sonnax).....	1	
S10741P-3.....	Spring, Saturn Line Pressure Regulator (Sonnax).....	1	

PART #	HARD PARTS (Continued)	QTY.	REFERENCE #
10750A.....	Bell Housing, Saturn (With Raised Mounting Boss At 3:00) No Threaded Mounting Bosses Around Differential Seal.....	1	21001711
10750AA.....	Bell Housing, Saturn (With Raised Mounting Boss At 3:00) With 3 Threaded Mounting Bosses Around Differential Seal (Cast # 21002323).....	1	
10750AB.....	Bell Housing, Saturn (With Raised Mounting Boss At 3:00) With 3 Threaded Mounting Bosses Around Differential Seal (No Cast #).....	1	
10750AC.....	Bell Housing, Saturn (With Unthreaded Raised Boss At 3:00) No Mounting Holes Around Differential Seal (Cast # 2100323).....	1	
10750AD.....	Bell Housing, Saturn (With Unthreaded Raised Boss At 3:00) No Mounting Holes Around Differential Seal (Cast # 21002656).....	1	
10750B.....	Bell Housing, Saturn (No Raised Mounting Boss At 3:00) No Threaded Mounting Bosses Around Differential Seal (Cast # 21002550).....	1	21003222
10750BA.....	Bell Housing, Saturn (No Raised Mounting Boss At 3:00) No Threaded Mounting Bosses Around Differential Seal (Cast # 21003342).....	1	

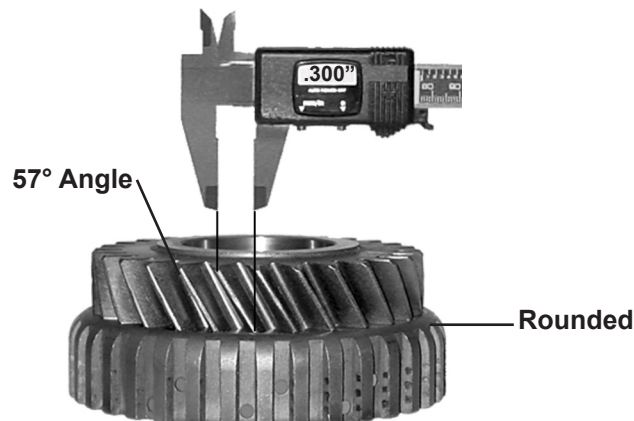
FWD 4 Speed

10759A Cover, Saturn Rear (With Tubes)(Mainshaft Tube Bolts To The Inside Of Cover) 1 21002421
10759B Cover, Saturn Rear (With Tubes)(Mainshaft Tube Bolts To The Outside Of Cover) 1
10760A Case, Saturn (All 1991) (1992 With VIN # NZ200101 Thru NZ205624) 1 21002449
10760AA Case, Saturn (1992 With VIN # To NZ200100 & 1993-96 With VIN # NZ205625 & Up) 1 21002622
10767A Pan, Saturn Top 1 21001584
10795A Nut, Saturn Mainshaft 1 21001680
10796A Nut, Saturn Countershaft 1 21001679
10800A Gear, Saturn 1st Drive (19 Teeth) 1 21002072
10800B Gear, Saturn 1st Drive (21 Teeth) 1 21001640
10801A Gear, Saturn 1st Driven (47 Teeth) 1 21001549
10801B Gear, Saturn 1st Driven (48 Teeth) 1 Groove 1 21002065
10801BA Gear, Saturn 1st Driven (48 Teeth) No Groove 1
10803A Gear, Saturn 2nd/Reverse Drive (30 Teeth) 1 21002073
10803B Gear, Saturn 2nd/Reverse Drive (27 Teeth) 1 21001641
10804A Gear, Saturn 2nd Driven (38 Teeth) (1.575"ID) 1 21002067
10804AA Gear, Saturn 2nd Driven (38 Teeth) (1.810"ID) 1
10804B Gear, Saturn 2nd Driven (42 Teeth) (1.575"ID) 1 21001553
10804BA Gear, Saturn 2nd Driven (42 Teeth) (1.810"ID) 1
10806A Gear, Saturn 3rd Drive (37 Teeth) 1 21001599
10806B Gear, Saturn 3rd Drive (33 Teeth) 1 21001643
10807A Gear, Saturn 3rd Driven (30 Teeth) 1 21001555
10807B Gear, Saturn 3rd Driven (34 Teeth) 1 21001591
10810A Gear, Saturn 4th Driven (28 Teeth) Fits Mainshaft #10672A With A 40 Teeth .460" Thick Gear 1 21001600
10810AA Gear, Saturn 4th Driven (28 Teeth) Fits Mainshaft #10672AA With A 40 Teeth .490" Thick Gear 1
10810B Gear, Saturn 4th Driven (25 Teeth) Fits Mainshaft #10672B & # 10672BA With A 42 Teeth Gear 1 21001642
10810BA Gear, Saturn 4th Driven (25 Teeth) Fits Mainshaft #10672BB With A 42 Teeth Gear 1

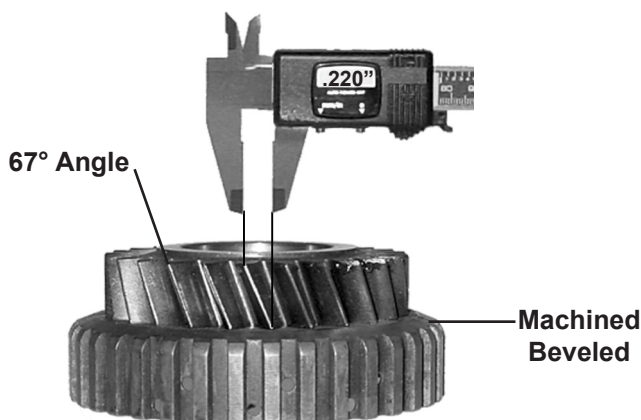
SATURN



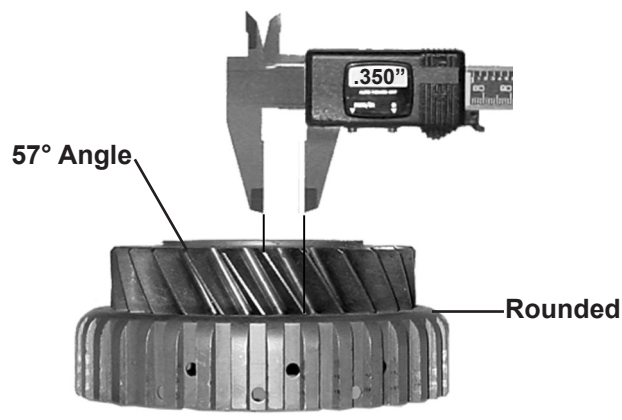
10810A



10810AA



10810B



10810BA

Saturn TAAT Delay in 'D' and/or Bind in Reverse

SATURN

Complaint:

Before or after overhaul, Saturn vehicles equipped with the MP6 or MP7 transaxle may exhibit a slight engagement delay in "D" and/or a binding condition in reverse.

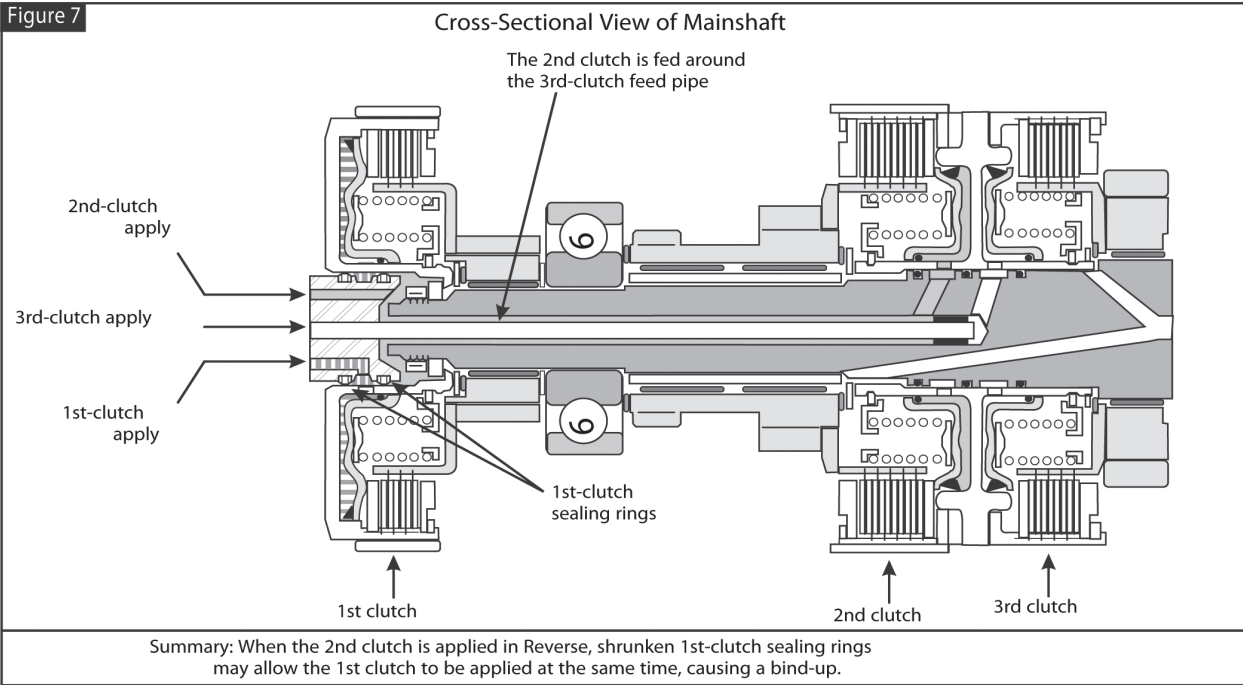
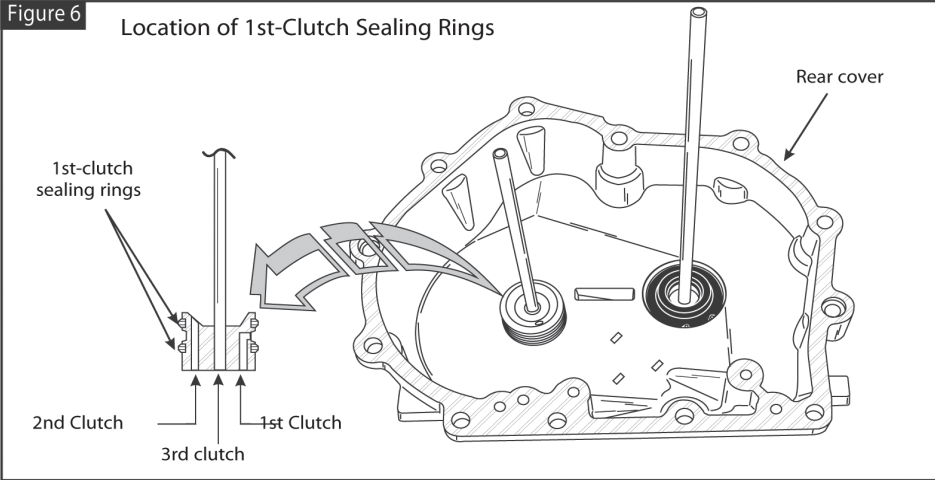
Cause:

The cause may be shrunken or damaged 1st-clutch sealing rings, as shown in Figure 6. When these rings leak they can cause a slow fill of the 1st clutch, which results in a delayed engagement in "D."

The first sealing ring also separates the 2nd clutch from the 1st clutch. When this ring leaks while in the Reverse range, the 1st clutch can now be applied with 2nd-clutch pressure, which results in a bind-up. See Figure 7 for a cross-sectional view of the mainshaft.

Correction:

Replace the 1st-clutch sealing rings as part of every overhaul. **TD**



To subscribe to Transmission Tech/Talk, call toll-free 800-274-7890.

©2006 Transmission Digest