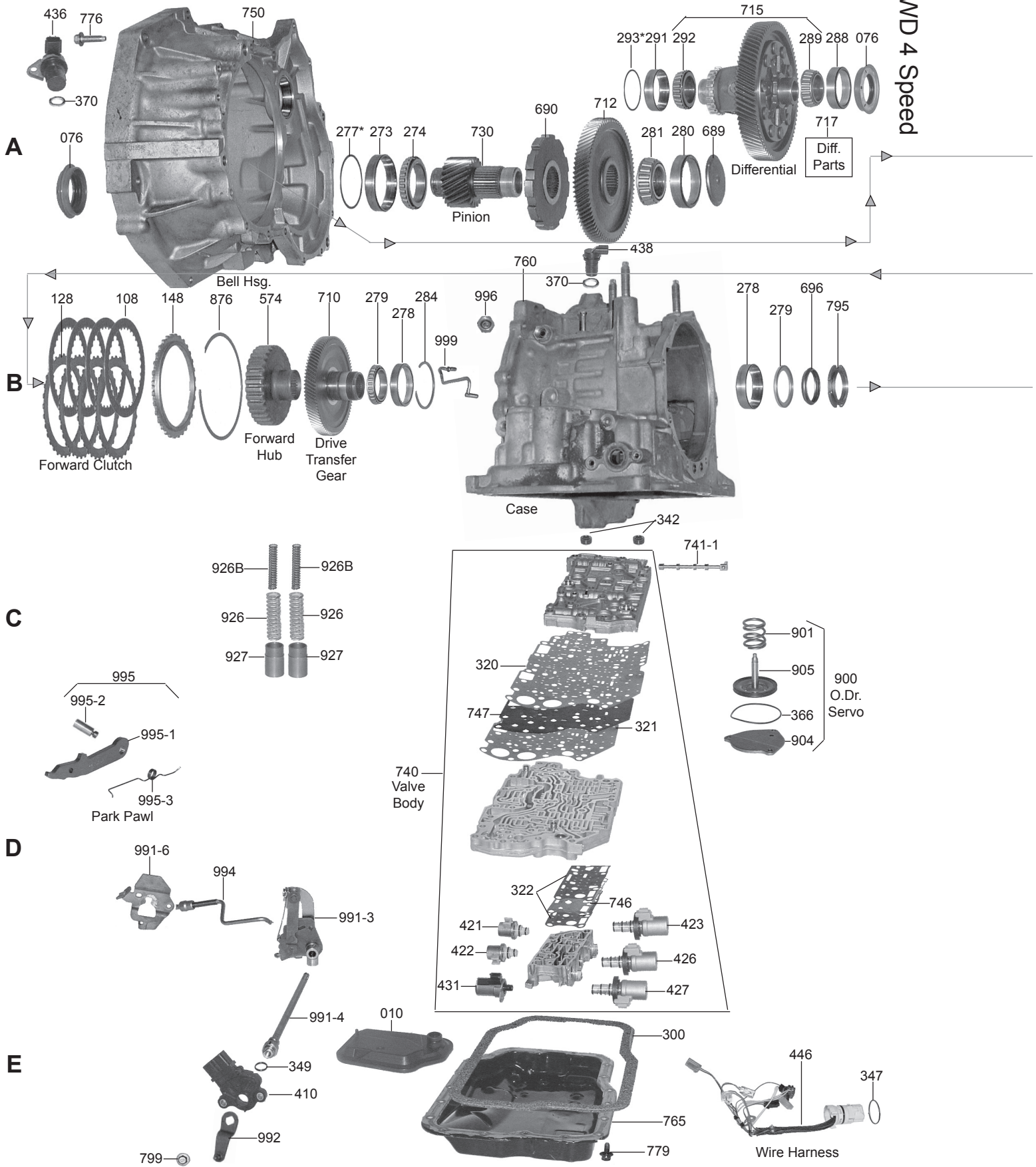


4F27E / FN4A-EL

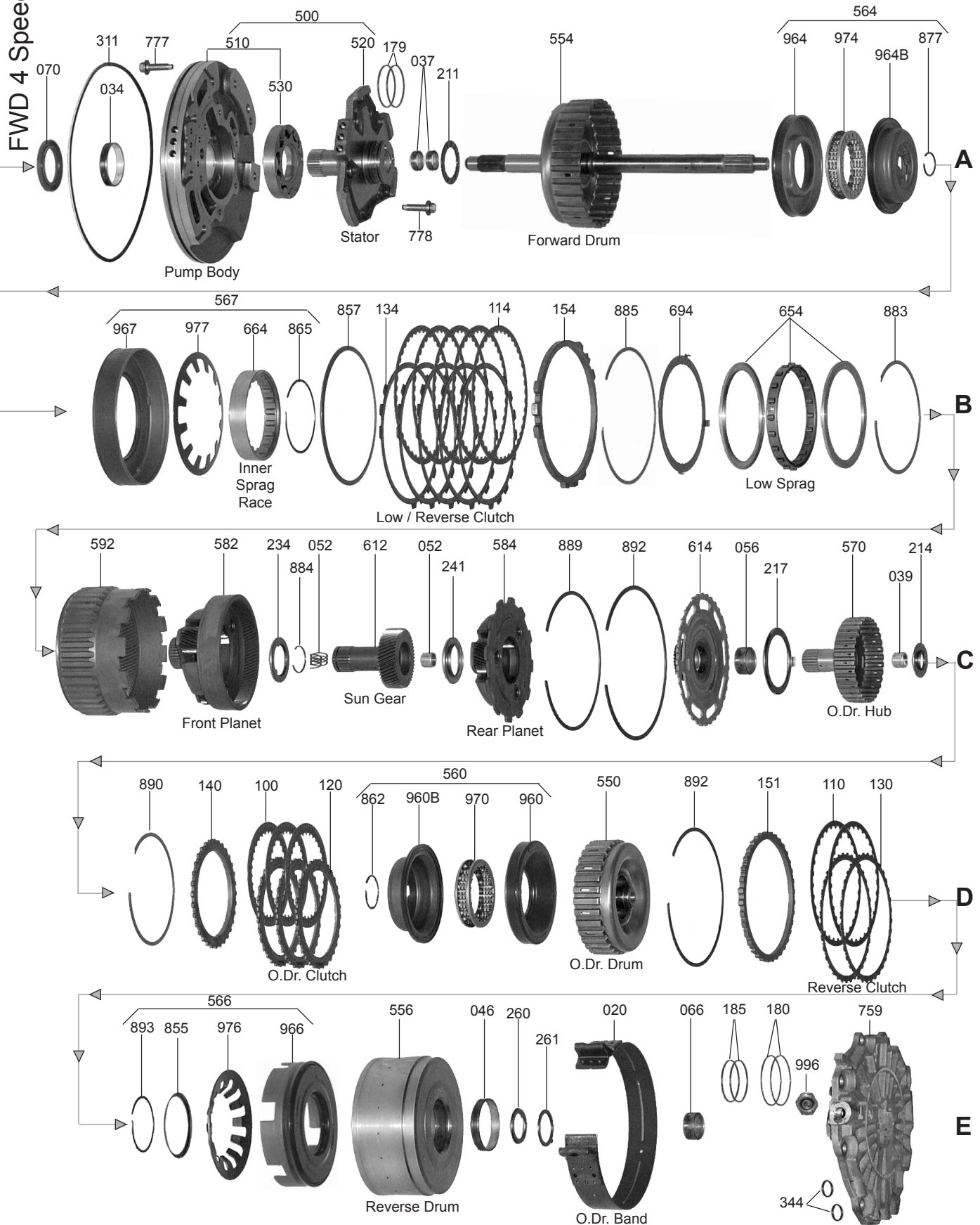


FWD 4 Speed



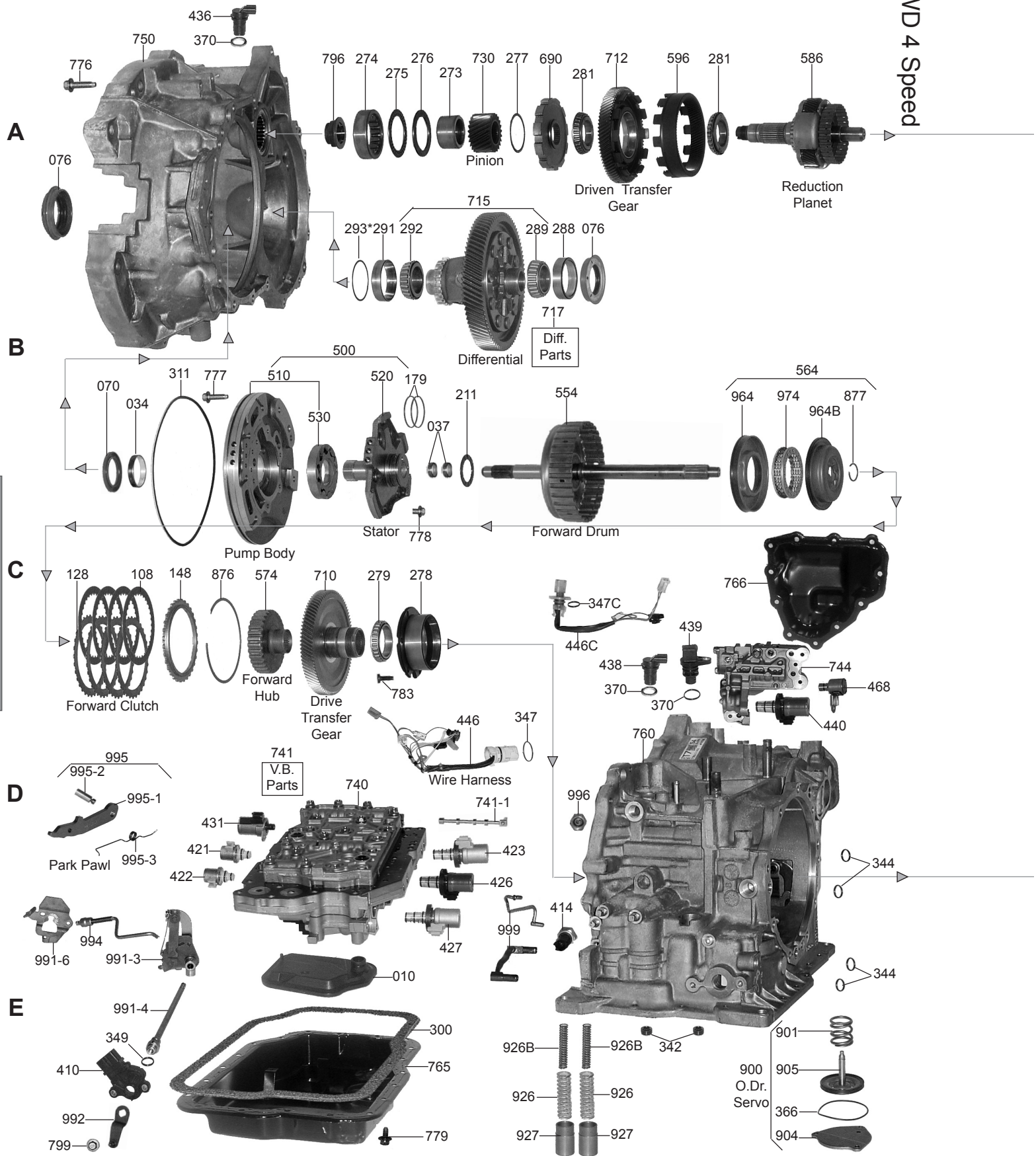
FORD

FWD 4 Speed

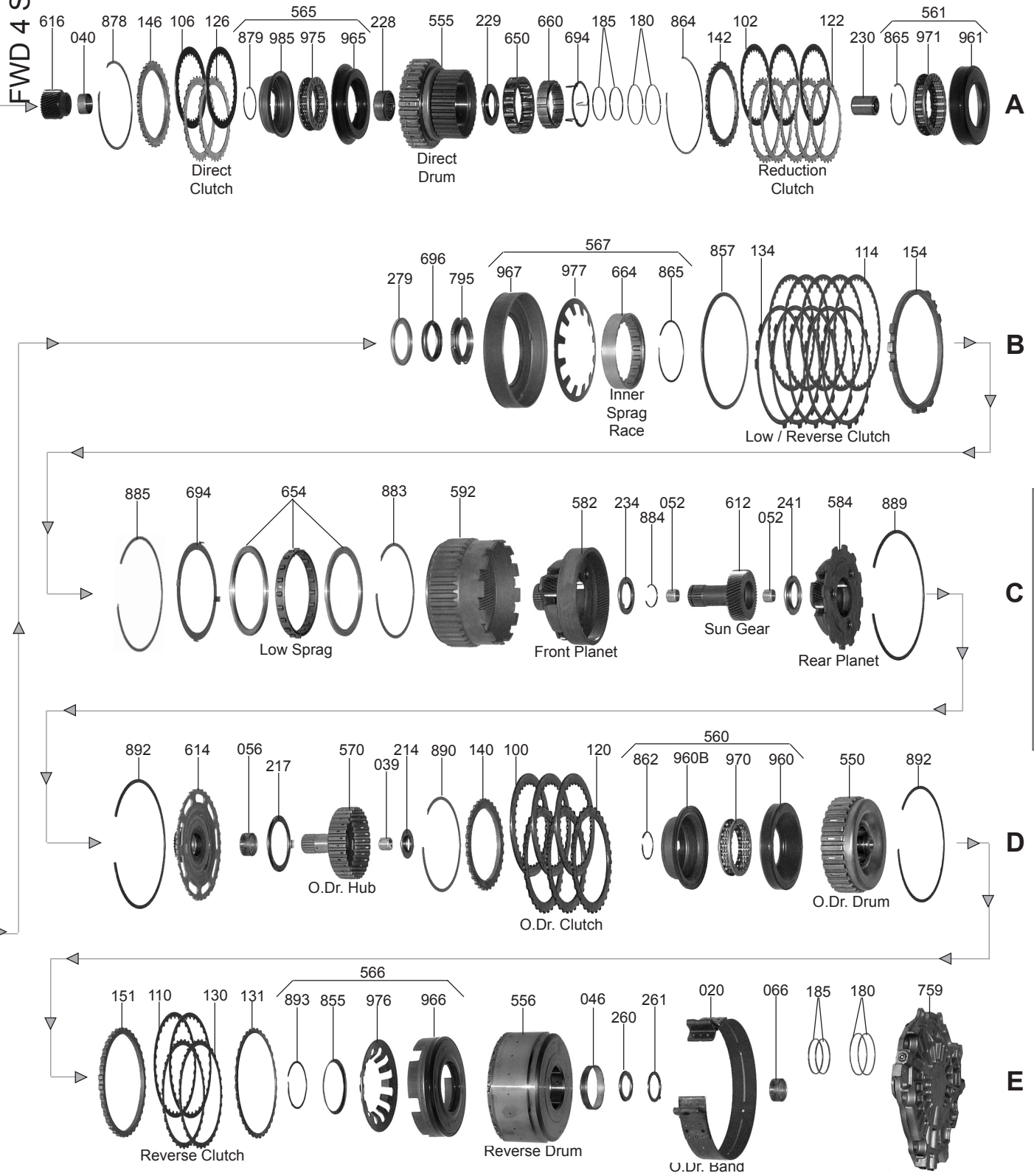


FORD

FORD



FWD 4 Speed



FORD



4F27E / FN4A-EL / FNR5

FWD 4 Speed

PART #	OVERHAUL KITS	QTY.	REFERENCE #
138002A	Overhaul Kit, 4F27E (Ford & Mazda) 1999-Up (For Bonded Pistons, Sell # 138960AK Or # 138960BK)	1	
138002C	Overhaul Kit, FNR5 2005-Up (For Bonded Pistons Sell 138960CK)	1	

PART #	MASTER L/STEEL KIT	QTY.	REFERENCE #
138004A	Master L/Steels Kit, 4F27E (Ford & Mazda) 1999-Up (For Bonded Pistons, Sell # 183960AK Or # 138960BK Separately)	1	
138004AA	Master L/Steels Kit, 4F27E (FN4A-EL Mazda) (Uses 1 Sided Overdrive Frictions) 2003-Up (For Bonded Pistons Sell # 138960BK)	1	
138004C	Master L/Steels Kit, FNR5 2005-Up (For Bonded Pistons, Sell # 138960CK)	1	

PART #	MASTER W/STEEL KIT	QTY.	REFERENCE #
138006A	Master W/Steels Kit, 4F27E (Ford & Mazda) 1999-Up (For Bonded Pistons, Sell #138960AK Or #138960BK Separately)	1	
138006AA	Master W/Steels Kit, 4F27E (FN4A-EL Mazda) (Uses 1 Sided Overdrive Frictions) 2003-Up (For Bonded Pistons, Sell # 138960BK)	1	
138006C	Master W/Steels Kit, FNR5 2005-Up (For Bonded Pistons Sell 138960CK)	1	

PART #	FILTER	QTY.	REFERENCE #
138010A	Filter, 4F27E (Ford & Mazda) (5/8" Tall Pick-Up) 1999-Up	1	XS4Z-7A098-AB
138010C	Filter, FNR5 (1 3/8" Tall Pick-Up) 2005-Up	1	

PART #	FILTER KIT	QTY.	REFERENCE #
138011A	Filter Kit, 4F27E (Ford & Mazda) 1999-Up	1	

PART #	BANDS	QTY.	REFERENCE #
138020A	Band, 4F27E/FNR5 Overdrive (1 3/8" Wide) 1999-Up	1	XS4Z-7D034-AB

PART #	BUSHINGS	QTY.	REFERENCE #
138030A	Bushing Kit, 4F27E 1999-Up	1	
138030C	Bushing Kit, FNR5 2005-Up	1	
138034A	Bushing, 4F27E Pump Body (Smooth Inside)	1	
138034C	Bushing, 4F27E Pump Body With Oil Pockets Inside (Babbit) 2005-Up	1	
S138037AK	Bushing Set, 4F27E Stator (Rear) (2 Pieces) 1999-Up (Sonnax)	1	46000-01K
138039A	Bushing, 4F27E Overdrive Hub (Inner) (.725"ID) (Babbit) 1999-Up	1	
138039C	Bushing, FNR5 Overdrive Hub (Inner) (.725"ID) (Bronze) 2005-Up	1	
138040C	Bushing, FNR5 Reduction Planet Sun Gear (1.110"OD)(1.020"ID) 2005-Up	1	
138046A	Bushing, 4F27E Reverse Drum (2.3170"ID) (Babbit) 1999-Up	1	
138046C	Bushing, FNR5 Reverse Drum (2.170"ID) (Bronze) 2005-Up	1	
138052A	Bushing, 4F27E Front Sun Gear (Babbit) 1999-Up	2	
138052C	Bushing, FNR5 Front Sun Gear (Bronze) 2005-Up	2	
138056A	Bushing, 4F27E Rear Sun Gear (1.042"ID) 1999-Up	1	
138056C	Bushing, FNR5 Rear Sun Gear (1.182"ID) 2005-Up	1	
138066A	Bushing, 4F27E Rear Cover (Babbit) (.920"ID) 1999-Up	1	
138066C	Bushing, FNR5 Rear Cover (Bronze) (.920"ID) 2005-Up	1	

PART #	METAL CLAD SEALS	QTY.	REFERENCE #
138070A	Seal, 4F27E/FNR5 Front 1999-Up	1	XS4Z-7A248-AA
42076A	Seal, 4F27E Axle (Both Sides) (Mazda) (.395" Thick) 1999-Up	2	F004-27-238
138076B	Seal, 4F27E (Ford) Axle (Both Sides)(With Flange) 2000-Up	2	XS4Z-1177-AA
138076C	Seal, FNR5 Axle (Both Sides)(No Flange) 2005-Up	1	

PART #	FRICTION CLUTCH	QTY.	REFERENCE #
138100A	Use 138108A For Frictions That Are 2 Sided	3	XS4Z-7B164-CB
138100C	Friction, 4F27E (Mazda)/FNR5 Overdrive Clutch (.100") 32 Internal Teeth (1 Sided) (4.510"OD) 2003-Up	3	
138102C	Use 138106C	3	
138106C	Friction, FNR5 Direct Clutch (.071") (32 Teeth) (4.525"OD) 2005-Up (Also Fits FNR5 Reduction Clutch # 102)	2-5	

FORD



4F27E / FN4A-EL / FNR5

FWD 4 Speed

138108A	Friction, 4F27E/FNR5 Forward Clutch (.063") (32 Teeth) (4.530"OD) 1999-Up (Also Fits 4F27E Overdrive Clutch That Are 2 Sided 1999-Up)	3-7	XS4Z-7B164-CB
138110A	Friction, 4F27E/FNR5 Reverse Clutch (.064") (32 Teeth) (5 1/2"OD) 1999-Up	2	XS4Z-7B164-AB
138114A	Friction, 4F27E Low/Reverse (.063") (42 Teeth) (6 1/8"OD) 1999-Up	5	XS4Z-7B164-BB
138119A	Friction Module, 4F27E 1999-Up (All With 2 Sided Overdrive Frictions)	1	
138119AS1	Friction Module, 4F27E 1999-Up (Stage 1)	1	
138119C	Friction Module, FNR5 2005-Up	1	

PART #	STEEL CLUTCH	QTY.	REFERENCE #
138120A	Steel, 4F27E Overdrive Clutch (.138" Thick) (32 Teeth) (3.710"ID) 1999-Up	3	XS4Z-7B442-DB
138120B	Steel, 4F27E Overdrive Clutch .063" (32 Teeth) (3.715"ID) 1999-Up (Use 138128A)	3	XS4Z-7B442-CB
138120C	Friction, 4F27E (Mazda)/FNR5 Overdrive Clutch (.100") 32 External Teeth (1 Sided) (3.745"ID) 2003-Up	3	
138122C	Steel, FNR5 Reduction Clutch (.061") (30 Teeth) (3.870"ID) 2005-Up	5	
138126C	Use 138128A	3	
138128A	Steel, 4F27E/FNR5 Forward Clutch (.063") (32 Teeth) (3.715"ID) 1999-Up (Also Fits FNR5 Overdrive Clutch #126 2005-Up)	3-7	XS4Z-7B442-CB
138130A	Steel, 4F27E/FNR5 Reverse Clutch (.063") (36 Teeth) (5.022"ID) 1999-Up	2	XS4Z-7B442-AB
138130AA	Steel, 4F27E/FNR5 Reverse Clutch (.082") (36 Teeth) (5.022"ID) 1999-Up	2	
138131C	Steel, FNR5 Reverse Clutch (Bottom, Beveled) (.082") (36 Teeth) (5.110"ID) 2005-Up	1	
138134A	Steel, 4F27E/FNR5 Low/Reverse Clutch (.063") (12 Teeth) (5.621"ID) 1999-Up	5	XS4Z-7B442-BB
138139A	Steel Module, 4F27E 1999-Up (With All 2 Sided Overdrive Frictions)	1	

PART #	CLUTCH PRESSURE PLATES	QTY.	REFERENCE #
138140A	Use 138148A	1	
138142C	Pressure Plate, FNR5 Reduction Clutch (.138") (32 Teeth) (3.865"ID) 2005-Up	1	
138146C	Pressure Plate, FNR5 Direct Clutch (.119") (32 Teeth) (3.710"ID) (Stepped) 2005-Up	1	
138148A	Pressure Plate, 4F27E/FNR5 Forward Clutch Stepped (.116"/.230") (32 Teeth) (3.705"ID) (Also Fits 4F27E/FNR5 Overdrive Clutch # 140 1999-Up)	1-2	XS4Z-7B066-CB
138151A	Pressure Plate, 4F27E/FNR5 Reverse Clutch (Top) (.226") (36 Teeth) (5.020"ID) 1999-Up	1	XS4Z-7B066-AB
138154A	Pressure Plate, 4F27E/FNR5 Low/Reverse Clutch (.241") (9 Teeth) (5.625"ID) 1999-Up	1	XS4Z-7B066-BB

PART #	VALVE BODY KITS	QTY.	REFERENCE #
S138165A	Valve Body Kit, 4F27E/FN4A-EL 1999-Up (Superior)	1	

PART #	OIL SEALING RINGS	QTY.	REFERENCE #
138175A	Ring Kit, 4F27E (Ford, Focus) 2000-Up	1	
138175C	Ring Kit, FNR5 2005-Up	1	
138179AT	Ring, 4F27E/FNR5 Stator (1.855"OD)(Teflon) 1999-Up	2	

PART #	WASHERS & BEARINGS	QTY.	REFERENCE #
138211A	Washer, 4F27E Stator To Forward Drum (.075" Thick) (1.860"OD) (Plastic) 1999-Up	1	XS4Z-7H042-AB
138214A	Bearing W/Races, 4F27E/FNR5 Overdrive Hub To Drum (1.533"OD) (.790"ID) 1999-Up	1	
138217A	Bearing W/Races, 4F27E Rear Sun gear To Hub (.117" Thick) (2.900"OD) (With 3 Raised Tabs) 1999-Up	1	
138217B	Bearing W/Races, 4F27E/FNR5 Rear Sun gear To Hub (.117" Thick) (3.072"OD) (With 4 Flat Tabs) 1999-Up	1	XS4Z-7C041-AB
138228C	Caged Needle Bearing, FNR5 Direct Clutch Drum (Inner) (Cast # NTN HK2512F) 2005-Up	1	
138229C	Bearing W/Races, FNR5 Direct Clutch Drum To Case (.141" Thick) (1.820"OD) (1.115"ID) 2005-Up	1	
138234A	Bearing W/Races, 4F27E/FNR5 Front Planet To Sun gear (1.995"OD) (.145" Thick) 1999-Up	1	XS4Z-7H375-AB
138241A	Bearing W/Races, 4F27E/FNR5 Front Sun gear To Rear Planet (2.035"OD) (1.340"ID) 1999-Up	1	XS4Z-7H337-AB
138260A	Bearing W/Race, 4F27E Overdrive Drum To Rear Cover (.100" Thick) (1.566"OD) (1.069"ID) 1999-Up	1	XS4Z-7D234-AC
138260B	Bearing W/Race, 4F27E/FNR5 Overdrive Drum To Rear Cover (.088" Thick) (1.566"OD) (1.089"ID) 1999-Up	1	
138261AA	Race, 4F27E Overdrive Drum To Rear Cover (1 Tab) (.059" Thick) 1.575"OD (1.213"ID) 1999-Up	1	XS4Z-7G262-FB
138261AB	Race, 4F27E Overdrive Drum To Rear Cover (1 Tab) (.067" Thick) 1.575"OD (1.213"ID) 1999-Up	1	XS4Z-7G262-FC
138261AC	Race, 4F27E Overdrive Drum To Rear Cover (1 Tab) (.070" Thick) 1.575"OD (1.213"ID) 1999-Up	1	XS4Z-7G262-AB
138261AD	Race, 4F27E Overdrive Drum To Rear Cover (1 Tab) (.075" Thick) 1.575"OD (1.213"ID) 1999-Up	1	XS4Z-7G262-FD

FORD



4F27E / FN4A-EL / FNR5

FWD 4 Speed

FORD

PART #	WASHERS & BEARINGS (Continued)	QTY.	REFERENCE #
138261AE	Race, 4F27E Overdrive Drum To Rear Cover (1 Tab) (.078" Thick) 1.575"OD (1.213"ID)	1	XS4Z-7G262-BB
138261AF	Race, 4F27E Overdrive Drum To Rear Cover (1 Tab) (.083" Thick) 1.575"OD (1.213"ID)	1	XS4Z-7G262-FE
138261AG	Race, 4F27E Overdrive Drum To Rear Cover (1 Tab) (.086" Thick) 1.575"OD (1.213"ID)	1	XS4Z-7G262-CB
138261AH	Race, 4F27E Overdrive Drum To Rear Cover (1 Tab) (.090" Thick) 1.575"OD (1.213"ID)	1	XS4Z-7G262-FF
138261AJ	Race, 4F27E Overdrive Drum To Rear Cover (1 Tab) (.094" Thick) 1.575"OD (1.213"ID)	1	XS4Z-7G262-DB
138261AK	Race, 4F27E Overdrive Drum To Rear Cover (1 Tab) (.102" Thick) 1.575"OD (1.213"ID)	1	XS4Z-7G262-EB
138261AL	Race, 4F27E Overdrive Drum To Rear Cover (1 Tab) (.110" Thick) 1.575"OD (1.213"ID)	1	XS4Z-7G262-FG
138261CA	Race, FNR5 Overdrive Drum To Rear Cover (1 Tab) (.059" Thick) (1.575"OD) (1.130"ID)	1	
138261CB	Race, FNR5 Overdrive Drum To Rear Cover (1 Tab) (.067" Thick) (1.575"OD) (1.130"ID)	1	
138261CC	Race, FNR5 Overdrive Drum To Rear Cover (1 Tab) (.070" Thick) (1.575"OD) (1.130"ID)	1	
138261CD	Race, FNR5 Overdrive Drum To Rear Cover (1 Tab) (.075" Thick) (1.575"OD) (1.130"ID)	1	
138261CE	Race, FNR5 Overdrive Drum To Rear Cover (1 Tab) (.078" Thick) (1.575"OD) (1.130"ID)	1	
138261CF	Race, FNR5 Overdrive Drum To Rear Cover (1 Tab) (.083" Thick) (1.575"OD) (1.130"ID)	1	
138261CG	Race, FNR5 Overdrive Drum To Rear Cover (1 Tab) (.086" Thick) (1.575"OD) (1.130"ID)	1	
138261CH	Race, FNR5 Overdrive Drum To Rear Cover (1 Tab) (.090" Thick) (1.575"OD) (1.130"ID)	1	
138261CJ	Race, FNR5 Overdrive Drum To Rear Cover (1 Tab) (.094" Thick) (1.575"OD) (1.130"ID)	1	
138261CK	Race, FNR5 Overdrive Drum To Rear Cover (1 Tab) (.102" Thick) (1.575"OD) (1.130"ID)	1	
138261CL	Race, FNR5 Overdrive Drum To Rear Cover (1 Tab) (.110" Thick) (1.575"OD) (1.130"ID)	1	
138273A	Cup Race, 4F27E Pinion Bearing To Bell Housing (NP237427 Timken) (2.440"OD) 1999-Up (Also Fits Pinion Bearing To Case #280)	1-2	
138273C	Inner Race, FNR5 Reduction Planet Shaft To Roller Bearing # 274 (.900" Thick)(1.610"OD) (1.220"ID) (Cast # KOYO 06NU0623) 2005-Up	1	
138274A	Cone Bearing, 4F27E Pinion To Bell Housing (NP 986901 Timken) 1999-Up (Also Fits Pinion To Case # 281)	1-2	
138274AK	Bearing/Race Set, 4F27E Pinion To Bell Housing (NP 986901 Timken Bearing) 1999-Up (Also Fits 4F27E Pinion To Case)	1	XS4Z-7H338-AB
138274C	Roller Bearing, FNR5 Pinion To Bell Housing (15 Rollers)(.685" Thick)(2.445"OD) 2005-Up	1	
138275A	Bearing, FNR5 Pinion Race #276 To Roller Bearing # 274 (.079" Thick)(2.368"OD)(1.619"ID) 2005-Up	1	
138276A	Race, FNR5 Pinion Gear To Bearing #275 (.087" Thick)(2.314"OD)(1.624"ID) 2005-Up	1	
138277AA	Shim, 4F27E Pinion To Bell Housing (.019" Thick)(2.405"OD) 1999-Up	1	XS4Z-7H367-AB
138277AB	Shim, 4F27E Pinion To Bell Housing (.021" Thick)(2.405"OD) 1999-Up	1	XS4Z-7H367-BB
138277AC	Shim, 4F27E Pinion To Bell Housing (.023" Thick)(2.405"OD) 1999-Up	1	XS4Z-7H367-CB
138277AD	Shim, 4F27E Pinion To Bell Housing (.025" Thick)(2.405"OD) 1999-Up	1	XS4Z-7H367-DB
138277AE	Shim, 4F27E Pinion To Bell Housing (.027" Thick)(2.405"OD) 1999-Up	1	XS4Z-7H367-EB
138277AF	Shim, 4F27E Pinion To Bell Housing (.029" Thick)(2.405"OD) 1999-Up	1	XS4Z-7H367-FB
138277AG	Shim, 4F27E Pinion To Bell Housing (.031" Thick)(2.405"OD) 1999-Up	1	XS4Z-7H367-GB
138277AH	Shim, 4F27E Pinion To Bell Housing (.033" Thick)(2.405"OD) 1999-Up	1	XS4Z-7H367-HB
138277AJ	Shim, 4F27E Pinion To Bell Housing (.035" Thick)(2.405"OD) 1999-Up	1	XS4Z-7H367-JB
138277AK	Shim, 4F27E Pinion To Bell Housing (.037" Thick)(2.405"OD) 1999-Up	1	XS4Z-7H367-KB
138277AL	Shim, 4F27E Pinion To Bell Housing (.039" Thick)(2.405"OD) 1999-Up	1	XS4Z-7H367-LB
138277AM	Shim, 4F27E Pinion To Bell Housing (.041" Thick)(2.405"OD) 1999-Up	1	XS4Z-7H367-MB
138277AN	Shim, 4F27E Pinion To Bell Housing (.043" Thick)(2.405"OD) 1999-Up	1	XS4Z-7H367-NB
138277AP	Shim, 4F27E Pinion To Bell Housing (.045" Thick)(2.405"OD) 1999-Up	1	XS4Z-7H367-PB
138277AR	Shim, 4F27E Pinion To Bell Housing (.047" Thick)(2.405"OD) 1999-Up	1	XS4Z-7H367-RB
138277AS	Shim, 4F27E Pinion To Bell Housing (.049" Thick)(2.405"OD) 1999-Up	1	XS4Z-7H367-SB
138277AT	Shim, 4F27E Pinion To Bell Housing (.051" Thick)(2.405"OD) 1999-Up	1	XS4Z-7H367-TB
138277C	Shim, FNR5 Pinion Gear To Park Gear (.032" Thick) (2.393"OD)(2.095"ID) 2005-Up	1	
138278A	Cup Race, 4F27E Drive Transfer Gear (P900 NP844242 Timken) 1999-Up	1	
138278B	Cup Race, 4F27E Drive Transfer Gear (Cast # NP 909383 097 19USA) 1999-Up	1	



4F27E / FN4A-EL / FNR5

FWD 4 Speed

138278C.....	Cup Race W/Flange, FNR5 Drive Transfer Gear (Double Race W/6 Bolt Flange) 2005-Up	1	
138279A.....	Cone Bearing, 4F27E Drive Transfer Gear (25 Rollers)(Cast #P900 NP724285 Timken)		
1999-Up		1	
138279AA.....	Cone Bearing, 4F27E Drive Transfer Gear (30 Rollers) 1999-Up (Cast # P900 NP 552135 097 Timken)	1	
138279C.....	Cone Bearing, FNR5 Drive Transfer Gear (25 Rollers) 2005-Up (Cast # NSK HTF AR45-19AG)	1	
138280A.....	Cup Race, 4F27E Pinion Bearing To Case (NP237427 Timken) (2.440"OD) 1999-Up		
(Use 138273A)		1	
138280C.....	Cup Race, FNR5 Reduction Planet To Driven Transfer Gear (Stays In Drive Transfer Gear) 2005-Up	1	
138281A.....	Cone Bearing, 4F27E Pinion To Case (NP 986901 Timken) 1999-Up (Use 138274A)	1	
138281C.....	Cone Bearing, FNR5 Driven Transfer Gear (Both Sides)(28 Rollers)(.510"Thick)(1.495"ID) (Cast # KOYO 46T080703-1) 2005-Up	2	
138284A.....	Shim, 4F27E Drive Preload (.098" Thick) (2.965"OD) 1999-Up	1	XS4Z-7H106-AB
138288A.....	Cup Race, 4F27E Differential To Case (2.560"OD)(.610" Wide) (Cast #NP552557 Timken) 1999-Up (Also Fits 4F27E Differential To Bell Housing # 291)	1-2	
138288C.....	Cup Race, FNR5 Differential To Case (2.5560"OD)(.575"Wide) (Cast # NTN ECO CR-08A48) 2005-Up (Also Fits FNR5 Differential To Bell #291)	1-2	
138289A.....	Cone Bearing, 4F27E Differential To Case (23 Rollers) (Cast #NP320786) Also Fits 4F27E Differential To Bell Housing #292 1999-Up	1-2	
138289AK.....	Bearing/Race Set, 4F27E Differential To Case (Bearing # NP320786) 1999-Up (Also Fits Differential To Bell Housing #291 & #292)	1-2	XS4Z-4221-AA
138289C.....	Cone Bearing, FNR5 Differential To Case (25 Rolers)(Cast # NTN ECO-CR-08A67) 2005-Up (Also Fits FNR5 Differential To Bell Housing #292)	1-2	
138291A.....	Cup Race, 4F27E Differential To Bell Housing (2.560"OD) (NP552557 Timken) 1999-Up (Use 138288A)	1	
138292A.....	Cone Bearing, 4F27E Differential To Bell Housing (1.573"ID) (NP320786) 1999-Up (Use 138289A)	1	
138293AA.....	Shim, 4F27E Differential To Bell Housing (.023" Thick) (2.525"OD) 1999-Up	1	XS4Z-4067-CA
138293AB.....	Shim, 4F27E Differential To Bell Housing (.025" Thick) (2.525"OD) 1999-Up	1	XS4Z-4067-DA
138293AC.....	Shim, 4F27E Differential To Bell Housing (.027" Thick) (2.525"OD) 1999-Up	1	XS4Z-4067-EA
138293AD.....	Shim, 4F27E Differential To Bell Housing (.029" Thick) (2.525"OD) 1999-Up	1	XS4Z-4067-FA
138293AE.....	Shim, 4F27E Differential To Bell Housing (.031" Thick) (2.525"OD) 1999-Up	1	XS4Z-4067-GA
138293AF.....	Shim, 4F27E Differential To Bell Housing (.033" Thick) (2.525"OD) 1999-Up	1	XS4Z-4067-HA
138293AG.....	Shim, 4F27E Differential To Bell Housing (.035" Thick) (2.525"OD) 1999-Up	1	XS4Z-4067-JA
138293AH.....	Shim, 4F27E Differential To Bell Housing (.037" Thick) (2.525"OD) 1999-Up	1	XS4Z-4067-KA
138293AJ.....	Shim, 4F27E Differential To Bell Housing (.039" Thick) (2.525"OD) 1999-Up	1	XS4Z-4067-LA
138293AK.....	Shim, 4F27E Differential To Bell Housing (.041" Thick) (2.525"OD) 1999-Up	1	XS4Z-4067-MA
138293AL.....	Shim, 4F27E Differential To Bell Housing (.043" Thick) (2.525"OD) 1999-Up	1	XS4Z-4067-NA
138293AM.....	Shim, 4F27E Differential To Bell Housing (.045" Thick) (2.525"OD) 1999-Up	1	XS4Z-4067-PA

PART #	GASKETS & RUBBER COMPONENTS	QTY.	REFERENCE #
138300AF.....	Gasket, 4F27E/4F27E Bottom Pan (Farpak) 1999-Up	1	
138311A.....	Lathe Cut Seal, 4F27E (Ford) Pump Body 2000-05	1	
138311B.....	O-Ring, 4F27E (Mazda)/FNR5 Pump Body 1999-Up	1	
138320A.....	Gasket, 4F27E Valve Body Plate To Upper Valve Body 1999-Up (Also Fits 4F27E Lower Valve Body To Plate #321 1999-Up)	1-2	
138321A.....	Use 138320A	1	
138322-1A.....	Gasket, 4F27E Solenoid Control Body To Plate (Lower) 1999-Up	1	
138322A.....	Gasket, 4F27E Solenoid Control Plate To Valve Body (Upper) 1999-Up	1	

PART #	TECHNICAL MANUALS	QTY.	REFERENCE #
138400A.....	Technical Manual, 4F27E (Ford, Focus) (ATSG)	1	
138400A-S.....	Technical Manual, 4F27E (Ford, Focus) (Spanish)	1	
A138400A.....	Rebuild Manual, 4F27E (ATRA)	1	
A138400D.....	Identification, Diagnosis & Testing Manual, 4F27E (ATRA)	1	

PART #	ELECTRICAL COMPONENTS	QTY.	REFERENCE #
138410A.....	Switch, 4F27E (Ford Focus) Neutral Safety (9 Prong) (Cast # 4P-7F293-AB) 2000-4/04	1	5S4Z-7F293-AA
138414C.....	Sensor, FNR5 Pressure (1 Wire) (Screw-On)(Cast # PPS-GF40) 2005-Up	1	
138421A.....	Solenoid, 4F27E/FNR5 Shift "A" (On/Off) 2000-Up (Also Fits 4F27E Shift "B" # 422 2000-Up)	2-3	XS4Z-7H148-AA
138422A.....	Solenoid, 4F27E Shift "B" (Use 138421A) 2000-Up	1	
138422C.....	Solenoid, FNR5 Shift (With Yellow Connector) 2005-Up	1	
138423A.....	Solenoid, 4F27E/FNR5 Shift "D" (PWM) 2000-Up (Also Fits 4F27E/FNR5 Shift "E" # 426 & Shift "C" #427 2000-Up)(Also Fits FNR5 #440 Solenoid 2005-Up)	1-3	XS4Z-7G484-AA
138426A.....	Solenoid, 4F27E/FNR5 Shift "E" (Use 138423A) 2000-Up	1	
138427A.....	Use 138423A	1	

FORD

4F27E / FN4A-EL / FNR5



FWD 4 Speed

PART #	ELECTRICAL COMPONENTS (Continued)	QTY.	REFERENCE #
138431A	Solenoid, 4F27E/FNR5 EPC 2000-Up	1	XS4Z-7G383-AA
138436A	Sensor, 4F27E (Ford, Focus) Speed (2 Prong) (Cast # XS4P) 2000-5/05	1	
138436C	Sensor, FNR5 Speed (3 Prong) (Cast # G4TO) 2005-Up	1	
86437	Sensor, 4F27E TOT/TFT 1999-Up	1	
138438A	Sensor, 4F27E Input (In Case) (Cast # XS4P-7M101-AB) 1999-5/05	1	XS4Z-7M101-AB
138438C	Sensor, FNR5 Input (In Case) 2 Prong (Cast # G4TO-0190) 2005-Up	1	
138439C	Use 138436C	1	
138440C	Solenoid, FNR5 Shift (Use 138423A) 2005-Up	1	
138446A	Wire Harness, 4F27E Internal (9 Prong Case Connector, Five 2 Prong Connectors, Two 1 Prong Connectors & One Ground Terminal) 1999-Up	1	XS4Z-7G276-AB
138446AA	Wire Harness, 4F27E/FNR5 Internal (9 Prong Case Connector, Four 2 Prong Connectors, Two 1 Prong Connectors, 1 Ground Terminal & Temperature Sensor) 2005-Up	1	
138446C-1	Wire Harness, FNR5 Auxillary Valve Body (2 Blade Connector)(10 1/2" Long) 2005-Up	1	
138468C	Solenoid, FNR5 (1 Blade Connector, With 1 Bolt Bracket)(This Is The Small Solenoid On The Auxillary Valve Body) 2005-Up	1	

PART #	MISC. COMPONENTS	QTY.	REFERENCE #
138494	Dipstick, 4F27E With Tube (27" Tube Length) 1999-Up	1	

PART #	HARD PARTS	QTY.	REFERENCE #
138500A	Pump, 4F27E (Ford) (Pump Body Uses A Lathe Cut Seal, With .535" Thick Gears) 2000-03	1	XS4Z-7A103-AC
138500B	Pump, 4F27E (Mazda) (Pump Body Uses An O-Ring, With .535" Thick Gears) 1999-Up	1	
138500C	Pump, FNR5 (Pump Body Uses An O-Ring, With .610" Thick Gears) 2005-Up	1	
138510A	Pump Body With Gears, 4F27E (Ford) (Uses A Lathe Cut Seal, With .535" Thick Gears) 2000-Up	1	
138510B	Pump Body With Gears, 4F27E (Mazda) (Uses An O-Ring, With .535" Thick Gears) 1999-Up	1	
138510C	Pump Body With Gears, FNR5 (Uses An O-Ring, With .610" Thick Gears) 2005-Up	1	
138520A	Stator, 4F27E (Ford) (With 2 Plugs On End Of Ring Tower) 2000-03	1	
138520B	Stator, 4F27E (Mazda) 1999-Up	1	
138520C	Stator, FNR5 (With 1 Plug On End Of Ring Tower) 2005-Up	1	
138550A	Drum, 4F27E Overdrive Clutch (3 Clutch) (32 Teeth Steels) (With 2 Holes In Bottom Of Ring Bore) 1999-Up	1	XS4Z-7F283-AB
138550C	Drum, FNR5 Overdrive Clutch (3 Clutch)(32 Teeth Steels) (With 6 Holes In Bottom Of Ring Bore) 2005-Up	1	
138554A	Drum, 4F27E/FNR5 (Ford) Forward Clutch (With 12 1/8" Shaft) (4 Clutch) (32 Teeth Steels) (.450"OD Pilot On Rear Of Shaft) 1999-Up	1	XS4Z-7F207-AC
138554B	Drum, 4F27E/FNR5 (Mazda) Forward Clutch (With 12 1/8" Shaft) (4 Clutch) (32 Teeth Steels) (.488"OD Pilot On Rear Of Shaft) 1999-Up	1	
138555C	Drum, FNR5 Direct Clutch (2 Clutch)(3.040" Overall Height) 2005-Up	1	
138556A	Drum, 4F27E/FNR5 Reverse Clutch (2 Clutch) (With 2 Check Balls) (18 Holes) (36 Teeth Steels) 1999-Up	1	XS4Z-7D044-AB
138560A	Piston Kit, 4F27E/FNR5 Overdrive Clutch (Bonded Piston With 20 Spring Retainer) 1999-Up	1	
138561C	Piston Kit, FNR5 Reduction Clutch (Bonded) 2005-Up	1	
138564A	Piston Kit, 4F27E/FNR5 Forward Clutch (2 Bonded Pistons & Spring Retainer) 1999-Up	1	
138565C	Piston Kit, FNR5 Direct Clutch 2005-Up	1	
138566A	Piston Kit, 4F27E (Ford)/FNR5 Reverse Clutch (Bonded Piston) (With 6 Notches & 12 Finger Spring)(1.475" Thick Piston) 1999-Up	1	
138566B	Piston Kit, 4F27E (Mazda) Reverse Clutch (Bonded Piston) (With 6 Notches & 12 Finger Spring) (1.375" Thick Piston)	1	
138567A	Piston Kit, 4F27E Low & Reverse Clutch (Bonded Piston) (12 Finger Return Spring) 1999-Up	1	
138567C	Piston Kit, FNR5 Low/Reverse Clutch (Bonded Piston)(18 Finger Return Spring) 2005-Up	1	
138570A	Hub, 4F27E Overdrive (32 Teeth) (24 Splines) (2.925" Tall) (6 Slots) (1.040"OD Of Shaft) 1999-11/04	1	XS4Z-7H351-AB
138570B	Hub, 4F27E Overdrive (32 Teeth) (24 Splines) (2.925" Tall) (No Slots) (1.040"OD Of Shaft) 1999-Up	1	
138570C	Hub, FNR5 Overdrive (32 Teeth) (25 Splines) (2.925" Tall) (No Slots) (1.180"OD Of Shaft) 2005-Up	1	
138574A	Hub, 4F27E/FNR5 Forward Clutch (32 Teeth) (1.705" Tall) 1999-Up	1	XS4Z-7B067-AC
138582A	Planet, 4F27E Front (Steel) (With Three 20 Teeth Gears) (108 Teeth Ring Gear) (34 Splines On Neck)(Neck Is .984" Long) 1999-01	1	XS4Z-7A398-AB
138582AA	Planet, 4F27E/FNR5 Front (Steel) (With Three 20 Teeth Gears) (108 Teeth Ring Gear) (34 Splines On Neck)(Neck Is .938" Long) 2002-Up	1	
138584A	Planet, 4F27E Rear (3 Gear)(Steel) (24 Inner Splines) 1999-01	1	XS4Z-7D006-AB
138584AA	Planet, 4F27E/FNR5 Rear (3 Gear)(Steel) (25 Inner Splines) 2002-Up	1	
138586C	Planet, FNR5 Reduction (3 Gear)(31 Teeth Sun Gear)(8 1/4" Long Shaft) 2005-Up	1	

FORD



4F27E / FN4A-EL / FNR5

FWD 4 Speed

138592A Ring Gear, 4F27E/FNR5 Front (42 Outer Teeth) (12 Lugs) (3.080" Thick) (89 Left Angled Inner Teeth) 1999-Up 1	
138596C Ring Gear, FNR5 Reduction Planet (12 Lugs) (89 Teeth) (1.415" Thick) 2005-Up 1	
138612A Sun Gear, 4F27E/FNR5 Front (49 Left Angled Teeth) (3.160" Long) 1999-11/04 1	XS4Z-7A399-AB
138614A Sun Gear, 4F27E Rear (37 Left Angled Teeth) (32 Lugs) (9 Slots) (1.042"ID Of Bushing)(Uses A Bearing # 138217A) 1999-4/05 1	XS4Z-7A019-AB
138614B Sun Gear, 4F27E Rear (37 Left Angled Teeth) (32 Lugs) (9 Slots) (1.042"ID Of Bushing)(Uses A Bearing # 138217B) 1999-Up 1	
138614C Sun Gear, FNR5 Rear (37 Left Angled Teeth) (32 Lugs) (8 Slots) (1.182"ID Of Bushing) 2005-Up 1	
138616C Sun Gear, FNR5 Reduction Planet (31 Teeth) (1.315" Long) (1.650"OD) 2005-Up 1	

PART #	SPRAGS & ONE WAY CLUTCHES	QTY.	REFERENCE #
138650C Sprag, FNR5 Reduction (12 Rollers) (.685" Wide) (Plastic Cage With 3 Brass Keepers) 2005-Up 1	
138654A Sprag, 4F27E/FNR5 Low (20 Elements) (.465" Thick Brass End Caps) 1999-Up 1	XS4Z-7A089-AB
138660C Inner Race, FNR5 Reduction Sprag (.640" Thick)(14 Inner Splines) 2005-Up 1	
138664A Inner Race, 4F27E/FNR5 Low Sprag (3.900"OD) (.775" Thick) 1999-Up 1	XS4Z-7D171-AB

PART #	HARD PARTS (Continued)	QTY.	REFERENCE #
138689A Oil Shield, 4F27E Pinion Bearing To Case (2.389"OD) 1999-Up 1	
138690A Park Gear, 4F27E (11 Lugs) (36 Splines) 1999-Up 1	
138690C Park Gear, FNR5 (11 Lugs)(32 Splines) 2005-Up 1	
138694A Retainer, 4F27E/FNR5 Low Sprag (.028" Thick) (With 4 Legs) (5.080"OD) 1999-Up 1	XS4Z-7H199-AB
138694C Retainer, FNR5 Reduction Sprag (2.515"OD)(With 3 Legs) 2005-Up 1	
138696 Crush Sleeve, 4F27E/FNR5 Drive Bearings (2.110"OD) 1999-Up 1	XS4Z-7H369-AB
138710A Gear, 4F27E Drive Transfer (59 Teeth) 1999-Up 1	XS4Z-7F342-AB
138710B Gear, 4F27E Drive Transfer (87 Teeth) 1999-Up 1	
138710C Gear, FNR5 Drive Transfer (86 Teeth) 2005-Up 1	
138712A Gear, 4F27E Driven Transfer (57 Teeth) 1999-Up 1	
138712B Gear, 4F27E Driven Transfer (83 Teeth) 1999-Up 1	
138712C Gear, FNR5 Driven Transfer (82 Teeth) 2005-Up 1	
138715A Differential Assembly, 4F27E (85 Teeth Ring Gear, 1 Groove) (34 Teeth Pick-Up) 1999-Up 1	
138715AA Differential Assembly, 4F27E (85 Teeth Ring Gear, 1 Groove) (24 Teeth Pick-Up) 1999-Up 1	
138715AE Differential Assembly, 4F27E (86 Teeth Ring Gear, 2 Groove) (24 Teeth Pick-Up) 1	
138715AF Differential Assembly, 4F27E (86 Teeth Ring Gear, 3 Groove) (24 Teeth Pick-Up) 1	
138715AM Differential Assembly, 4F27E (89 Teeth Ring Gear, 2 Groove) (24 Teeth Pick-Up) 1	
138715C Differential Assembly, FNR5 (85 Teeth Ring Gear, No Groove) (14 Bolt) (25 Roller Cone Bearings) (24 Teeth Pick-Up) 2005-Up 1	
138715CB Differential Assembly, FNR5 (85 Teeth Ring Gear, 2 Groove)(14 Bolt)(25 Roller Cone Bearings)(24 Teeth Pick-Up) 2005-Up 1	
138715CJ Differential Assembly, FNR5 (88 Teeth Ring Gear, 2 Groove)(14 Bolt)(25 Roller Cone Bearings) (25 Teeth Pick-Up) 2005-Up 1	
138730AA Pinion, 4F27E (22 Teeth) (1 Groove) 1	
138730AAK Pinion Assembly, 4F27E (22 Teeth)(1 Groove)(With 57 Teeth Transfer Gear)(Contains: # 274, 730, 690, 712, 281) 1	
138730ABK Pinion Assembly, 4F27E (22 Teeth)(1 Groove)(With 83 Teeth Transfer Gear)(Contains: # 274, 730, 690, 712, 281) 1	
138730AE Pinion, 4F27E (21 Teeth)(2 Groove) 1	
138730AEK Pinion Assembly, 4F27E (21 Teeth, 2 Groove)(4.090" Long Shaft)(With 82 Teeth Transfer Gear) (No ID Splines In Pinion Shaft)(Contains: # 274, 730, 690, 712, 281) 1	
138730AF Pinion, 4F27E (21 Teeth)(3 Groove)(4.090" Long) 1	
138730AFK Pinion Assembly, 4F27E (21 Teeth)(3 Groove)(4.090" Long Shaft)(With 83 Teeth Transfer Gear)(No ID Splines In Pinion Shaft)(Contains: # 274, 730, 690, 712, 281) 1	
138730AGK Pinion Assembly, 4F27E (21 Teeth)(3 Groove)(4.090" Long Shaft)(With 57 Teeth Transfer Gear)(No ID Splines In Pinion Shaft)(Contains: # 274, 730, 690, 712, 281) 1	
138730C Pinion, FNR5 (21 Teeth)(No Groove) (1.360" Long)(With ID Splines) 1	
138730CK Pinion Assembly, FNR5 (21 Teeth)(3 Groove)(1.360" Long Shaft)(With 83 Teeth Transfer Gear)(With ID Splines In Pinion Shaft)(Contains: # 274, 730, 690, 712, 281) 1	
138730CAK Pinion Assembly, FNR5 (21 Teeth)(3 Groove)(4.090" Long Shaft)(With 83 Teeth Transfer Gear)(With ID Splines In Pinion Shaft)(Contains: # 274, 730, 690, 712, 281) 1	
138740A Valve Body, 4F27E (Ford) (6 Solenoid) (Cast # XS4P-7A101-AC) (Customer Must Use Their Manual Valve) 1	
138740B Valve Body, 4F27E (FN4A-EL, Mazda) (6 Solenoid) (Cast # FN11)(Customer Must Use Their Manual Valve) 1	
138740C Valve Body, FNR5 (6 Solenoids) (Cast # FS50) 2005-Up (Customer Must Use Their Manual Valve) 1	
138744C Auxillary Valve Body, FNR5 (2 Solenoids)(3 Bolts To Case)(Cast # 050726D355) 2005-Up 1	



4F27E / FN4A-EL / FNR5



FWD 4 Speed

PART #	HARD PARTS (Continued)	QTY.	REFERENCE #
138750A	Bell Housing, 4F27E (5 1/4" Top Bolts) (Starter At 11:00) (Cast # RF-XS4P-7976-AD) (15 Bolts To Case) 2000-Up	1	XS4Z-7005-AC
138750AB	Bell Housing, 4F27E (6 1/4" Top Bolts) (Starter At 10:00) (Cast # FN11)	1	
138750AC	Bell Housing, 4F27E (6 3/8" Top Bolts) (Starter At 10:00) (Cast # FN41)	1	
138750AD	Bell Housing, 4F27E (5 1/8" Top Bolts) (Starter At 2:00) (Cast # XS4P-7976-BD) 2004-Up	1	
138750AG	Bell Housing, 4F27E (5 3/8" Top Bolts)(Starter At 3:00)(Cast # FNE1)	1	
138750AH	Bell Housing, 4F27E (5 3/8" Top Bolts)(Starter At 3:00)(Cast # RF-7S4P-7976-AA)	1	
138750AJ	Bell Housing, 4F27E (5 3/8" Top Bolts)(Starter At 3:00)(Cast # RF-3S4P-7976-BA)	1	
138750C	Bell Housing, FNR5 (5 1/4" Top Bolts) (Starter At 11:00) (Cast # RF-XS4P-7976-AD) (16 Bolts To Case) 2005-Up	1	
138759A	Rear Cover, 4F27E (9 Bolt) (Aluminum) (4 Rings) (No Cooler Line Fittings) (With Babbit Bushing) (Conversion)	1	
138759AA	Rear Cover, 4F27E (9 Bolt) (Aluminum) (4 Rings) (With 1 Cooler Line Fitting Hole) 1999-04	1	XS4Z-7222-BA
138759C	Rear Cover, FNR5 (9 Bolt) (Aluminum) (4 Rings) (No Cooler Line Fitting)(With Bronze Bushings) 2005-Up	1	
138760AB	Case, 4F27E (Cast # RFXS-4P By Axle Seal) Ford Type (1 Cooler Line Fitting) 1999-Up	1	
138760B	Case, 4F27E (FN4A-EL) (Mazda Type) (2 Cooler Line Fittings)	1	
138760C	Case, FNR5 (2 Pan Type)(Cast # FS5019421 On Rear Of Case) 2005-Up	1	
138765A	Pan, 4F27E (Shallow & No Drain Plug)(20 Bolts To Case) 1999-Up	1	XS4Z-7A194-AB
138765C	Pan, FNR5 (Deep With Drain Plug & 3 Inside Brackets) (20 Bolts To Case) 2005-Up	1	
138766C	Side Pan, FNR5 (11 Bolt) 2005-Up	1	
138776AK	Bolt Set, 4F27E Bell To Case (15 Pieces) 1999-Up	1	
138776CK	Bolt Set, FNR5 Bell To Case (16 Pieces) 2005-Up	1	
138777AK	Bolt Set, 4F27E/FNR5 Pump To Case (10mm) (7 Pieces) 1999-Up	1	
138778AK	Bolt Set, 4F27E Stator To Body (10mm)(.775" Long)(20 Pieces) 1999-Up	1	
138778CK	Bolt Set, FNR5 Stator To Body (10mm)(.855" Long)(20 Pieces) 2005-Up	1	
138779AK	Bolt Set, 4F27E Bottom Pan (1.030" Long)(20 Pieces) 1999-Up	1	
138779CK	Bolt Set, FNR5 Bottom Pan (.775" Long)(20 Pieces) 2005-Up	1	
138781AK	Bolt Set, 4F27E Rear Cover To Case (10mm)(1.470"Long)(9 Pieces) 1999-Up	1	
138781CK	Bolt Set, FNR5 Rear Cover To Case (T40 Torx Head)(.985" Long)(9 Pieces) 2005-Up	1	
138782AK	Bolt Set, 4F27E Valve Body To Case (8mm Head) (13 Pieces) 1999-Up	1	
138782CK	Bolt Set, FNR5 Valve Body To Case (10mm Head)(14 Pieces) 2005-Up	1	
138795A	Nut, 4F27E/FNR5 Transfer Drive Gear (1.710"ID) (Right Hand Threads) (4 Notches) 1999-Up	1	XS4Z-7B364-AB
138799A	Bolt, 4F27E External Shift Lever (10mm) 1999-Up	1	
138799C	Bolt, FNR5 Exteranl Shift Lever (21mm) 2005-Up	1	
138855A	Retainer, 4F27E Reverse Clutch (No Tabs)(2.875"OD)(2.500"ID) 1999-Up	1	XS4Z-7D406-AB
138855C	Retainer, FNR5 Reverse Clutch (With 4 Tabs) 2005-Up	1	
138857A	Cushion, 4F27E/FNR5 Low/Reverse Clutch (6 1/8"OD) (.088" Thick) 1999-Up	1	XS4Z-7B070-BB
138862A	Snap Ring, 4F27E/FNR5 Overdrive Clutch Retainer In (.047" Thick) (1.482"OD) 1999-Up	1	XS4Z-7H363-AB
138864C	Snap Ring, FNR5 Holds Reduction Pressure Plate In Case (.055" Thick)(5.360"OD) 2005-Up	1	
138865A	Snap Ring, 4F27E/FNR5 Holds Low/Reverse Spring In (.040" Thick) (3.240"OD) 1999-Up	1	XS4Z-7D483-AB
138865C	Snap Ring, FNR5 Holds REduction Clutch Spring Retainer In Case (.048" Thick)(2.325"OD) 2005-Up	1	
138876AA	Snap Ring, 4F27E/FNR5 Forward Clutch (.047" Thick) (4.925"OD)1999-Up (Also Fits 4F27E/FNR5 Overdrive Clutch #890 1999-Up)	1-2	XS4Z-7D483-CA
138876AB	Snap Ring, 4F27E/FNR5 Forward Clutch (.055" Thick) (4.925"OD)1999-Up (Also Fits 4F27E/FNR5 Overdrive Clutch #890 1999-Up)(Also Fits 4F27E/FNR5 Low Sprag #883 1999-Up)	1-2	XS4Z-7D483-CB
138876AC	Snap Ring, 4F27E/FNR5 Forward Clutch (.063" Thick) (4.925"OD)1999-Up (Also Fits 4F27E/FNR5 Overdrive Clutch #890 1999-Up)	1-2	XS4Z-7D483-CC
138876AD	Snap Ring, 4F27E/FNR5 Forward Clutch (.070" Thick) (4.925"OD)1999-Up (Also Fits 4F27E/FNR5 Overdrive Clutch #890 1999-Up)	1-2	XS4Z-7D483-CD
138876AE	Snap Ring, 4F27E/FNR5 Forward Clutch (.078" Thick) (4.925"OD)1999-Up (Also Fits 4F27E/FNR5 Overdrive Clutch #890 1999-Up)	1-2	XS4Z-7D483-CE
138876AF	Snap Ring, 4F27E/FNR5 Forward Clutch (.086" Thick) (4.925"OD)1999-Up (Also Fits 4F27E/FNR5 Overdrive Clutch #890 1999-Up)	1-2	XS4Z-7D483-CF
138877A	Snap Ring, 4F27E Holds Forward Clutch Retainer In (.039" Thick)(1.050"OD)(Flat) 1999-Up (Can Use 138877C)	1	XS4Z-7H365-AB
138877C	Snap Ring, FNR5 Holds Forward Clutch Retainer In (1.050"OD)(.047"Thick)(Fluted) 2005-Up (Can Use 138877A)	1	
138878C	Snap Ring, FNR5 Holds Direct Clutch Pressure Plate In (.062" Thick)(4.920"OD) 2005-Up	1	
138879C	Snap Ring, FNR5 Holds Direct Clutch Spring Retainer/Piston In (.046" Thick)(1.822"OD) 2005-Up	1	
138883A	Use 138876AB	1	
138884A	Snap Ring, 4F27E/FNR5 Holds Front Sun Gear To Planet (.055" Wire Thickness) 1999-Up	1	XS4Z-7H362-AB

FORD



4F27E / FN4A-EL / FNR5

FWD 4 Speed

138885AA Snap Ring, 4F27E/FNR5 Holds Low/Reverse Clutch Pressure Plate In Case (.070" Thick) (6 13/16"OD) 1999-Up	1 XS4Z-7D483-BA
138885AB Snap Ring, 4F27E/FNR5 Holds Low/Reverse Clutch Pressure Plate In Case (.078" Thick) (6 13/16"OD) 1999-Up	1 XS4Z-7D483-BB
138885AC Snap Ring, 4F27E/FNR5 Holds Low/Reverse Clutch Pressure Plate In Case (.086" Thick) (6 13/16"OD) 1999-Up	1 XS4Z-7D483-BC
138885AD Snap Ring, 4F27E/FNR5 Holds Low/Reverse Clutch Pressure Plate In Case (.094" Thick) (6 13/16"OD) 1999-Up	1 XS4Z-7D483-BD
138885AE Snap Ring, 4F27E/FNR5 Holds Low/Reverse Clutch Pressure Plate In Case (.102" Thick) (6 13/16"OD) 1999-Up	1 XS4Z-7D483-BE
138885AF Snap Ring, 4F27E/FNR5 Holds Low/Reverse Clutch Pressure Plate In Case (.110" Thick) (6 13/16"OD) 1999-Up	1 XS4Z-7D483-BF
138885AG Snap Ring, 4F27E/FNR5 Holds Low/Reverse Clutch Pressure Plate In Case (.118" Thick) (6 13/16"OD) 1999-Up	1 XS4Z-7D483-BG
138889A Snap Ring, 4F27E/FNR5 Holds Rear Planet To Front Ring Gear (.041" Thick) (5.240"OD) 1999-Up	1 XS4Z-7H361-AB
138890A Use 138876	1
138892 Snap Ring, 4F27E/FNR5 Holds Rear Sun Gear To Reverse Drum (.055" Thick) (6 "OD) 1999-Up (Also 4F27E/FNR5 Holds Reverse Clutch Pressure Plate In Drum 1999-Up)	1-2 XS4Z-7D483-AA
138892A Snap Ring, 4F27E/FNR5 Holds Rear Sun Gear To Reverse Drum (.062" Thick) (6 "OD) 1999-Up (Also 4F27E/FNR5 Holds Reverse Clutch Pressure Plate In Drum 1999-Up)	1-2 XS4Z-7D483-AC
138892AA Snap Ring, 4F27E/FNR5 Holds Rear Sun Gear To Reverse Drum (.071" Thick) (6 "OD) 1999-Up (Also 4F27E/FNR5 Holds Reverse Clutch Pressure Plate In Drum 1999-Up)	1-2 XS4Z-7D483-AE
138893A Snap Ring, 4F27E/FNR5 Holds Reverse Clutch Retainer In (.040" Thick) (2.544"OD) 1999-Up	1 XS4Z-7H075-AB
138900A Servo Assembly, 4F27E/FNR5 (Bonded Piston)(3 Bolt Cover) 2000-Up	1
138905A Piston, 4F27E Overdrive Servo (Bonded) 1999-Up	1 XS4Z-7D021-AB
138926A Spring, 4F27E/FNR5 Accumulator (Front, Outer) (3" Long) 1999-Up	1 XS4Z-7G267-AB
138926AA Spring, 4F27E/FNR5 Accumulator (Rear, Outer) (2 11/16" Long) 1999-Up	1 XS4Z-7G300-AB
138926B Spring, 4F27E Accumulator (Front, Inner) (2 1/8" Long) 1999-Up	1 XS4Z-7G326-AB
138926BA Spring, 4F27E/FNR5 Accumulator (Rear, Inner) (2 11/16" Long) 1999-Up	1 XS4Z-7G395-AA
138926C Spring, FNR5 Accumulator (Front, Inner) (1 15/16" Long)	1
138927A Piston, 4F27E/FNR5 Accumulator 1999-Up	2 XS4Z-7F251-AB
138960A Piston, 4F27E/FNR5 Overdrive Clutch (Bonded) 1999-Up	1
138960AK Piston Set, 4F27E (Ford) (With 7 Bonded Pistons) 2000-Up (The Reverse Clutch Piston Is 1.475" Thick)	1
138960B Retainer/Balance Piston, 4F27E/FNR5 Overdrive Clutch (Bonded) 1999-Up	1
138960BK Piston Set, 4F27E (Mazda) (With 7 Bonded Pistons) 1999-Up (The Reverse Clutch Piston Is 1.375" Thick)	1
138960CK Piston Kit, FNR5 (Bonded) 2005-Up	1
138961C Piston, FNR5 Reduction Clutch (Bonded)(.850" Thick)(4.310"OD) 2005-Up	1
138964A Piston, 4F27E/FNR5 Forward Clutch (Bonded) 1999-Up	1
138964B Retainer/Balance Piston, 4F27E/FNR5 Forward Clutch (Bonded) 1999-Up	1
138965C Piston, FNR5 Direct Clutch (Bonded) (.650" Thick)(4.490"OD)(2.200"ID) 2005-Up	1
138966A Piston, 4F27E(Ford)/FNR5 Reverse Clutch (Bonded)(1.475" Thick) 1999-Up	1
138966B Piston, 4F27E (Mazda FN4A-EL) Reverse Clutch (Bonded) (1.375" Thick) 1999-Up	1
138967A Piston, 4F27E/FNR5 Low/Reverse Clutch (Bonded) 1999-Up	1
138971C Spring/Retainer, FNR5 Reduction Clutch Return (.775" Thick)(3.425"OD)(2.213"ID)(24 Springs) 2005-Up	1
138975C Spring, FNR5 Direct Clutch Return (20 Springs) 2005-Up	1
138976A Spring, 4F27E/FNR5 Reverse Clutch Return (Beveled) (With 12 Fingers) (.055" Thick) (4.785") 1999-Up	1
138977A Spring, 4F27E Low & Reverse Clutch Return (Beveled) (12 Fingers) (.050" Thick) 1999-Up	1 XS4Z-7B070-AB
138977C Spring, FNR5 Low/Reverse Clutch Return (Beveled)(18 Fingers)(.050" Thick) 2005-Up	1
138985C Retainer/Piston, FNR5 Direct Clutch Spring (Bonded)(.850" Thick)(3.690"OD)(1.743"ID) 2005-Up	1
138991A-3 Detent Assembly, 4F27E (With Rooster Comb)(With .150"ID Roll Pin Hole) 1999-Up	1
138991A-4 Shift Rod, 4F27E Linkage (11 5/8" Long) 1999-Up	1
138991A-6 Bracket, 4F27E Actuator (2 Bolt) 1999-Up	1
138991C-3 Detent Assembly, FNR5 With Rooster Comb (With .110"ID Roll Pin Hole) 2005-Up	1
138991C-4 Shift Rod, FNR5 Linkage (12 1/4" Long) 2005-Up	1
138991C-6 Bracket, FNR5 Actuator (2 Bolt)	1
138992A Shift Lever, 4F27E External (3/8" Wide Slot For Shaft)(Uses A 10mm Bolt To Hold Lever To Shaft) 1999-Up	1 XS4Z-7A256-AA
138992C Shift Lever, FNR5 External (5/16" Wide Slot For Shaft)(Uses A 21mm Nut To Hold Lever To Shaft) 2005-Up	1
138994A Park Rod Actuator, 4F27E/FNR5 (6 1/4" Long) 1999-Up	1 XS4Z-7A232-AB
138995A Park Pawl Assembly, 4F27E/FNR5 (3 Pieces) 1999-Up	1
138996A Cooler Fitting, 4F27E (19mm) (Screen-In) (With Female Fitting On Cooler Line Side) 1999-Up	2 YS4Z-7D273-AA
138996C Cooler Fitting, FNR5 (19mm) (With Male Slip-On Fitting On Cooler Line Side) 2005-Up	2

FORD

4F27E / FN4A-EL / FNR5



FWD 4 Speed

PART #	HARD PARTS (Continued)	QTY.	REFERENCE #
138999A Tube, 4F27E Inside Case (4" Long) 1999-Up	1 YS4Z-7N148-AB
138999C Tube Set, FNR5 Inside Case (2 Tubes) 2005-Up	1

FORD



4F27E / FN4A-EL / FNR5

FWD 4 Speed

FORD