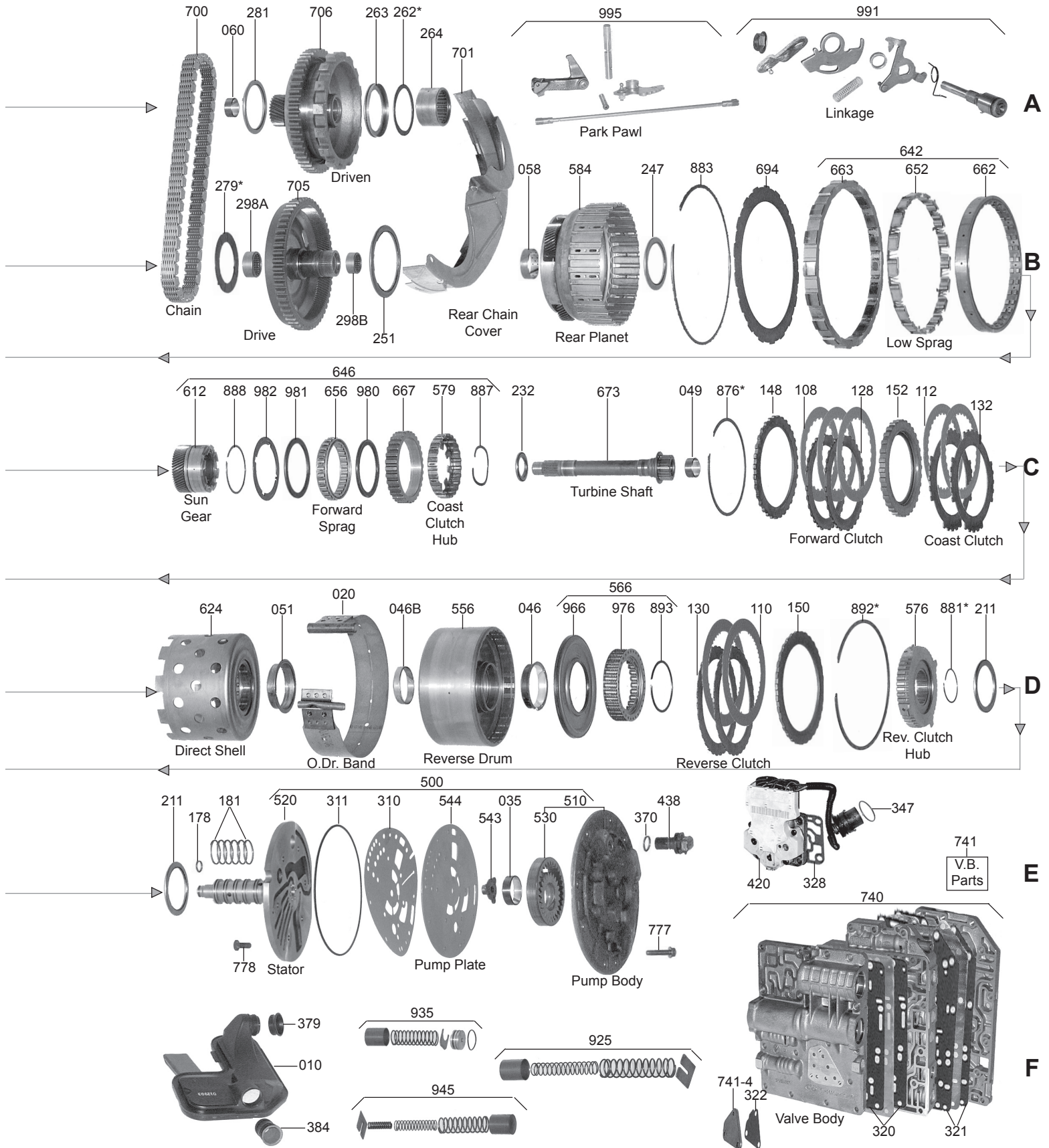


FORD



FORD

CD4E



FWD 4 Speed

PART #	PAPER & RUBBER KIT	QTY.	REFERENCE #
96000	Paper & Rubber Kit, CD4E 1994-Up	1	

PART #	OVERHAUL KITS	QTY.	REFERENCE #
96002	Overhaul Kit, CD4E 1994-04 (For Bonded Pistons Sell 96960AK Or 96960BK)	1	
96002CW	Overhaul Kit, CD4E (With Molded Pan Gasket) 2003-Up (For Bonded Pistons Sell 96960BK)	1	

PART #	MASTER L/STEEL KIT	QTY.	REFERENCE #
96004	Master L/Steels Kit, CD4E 1994-95 (For Bonded Pistons Sell 96960AK)	1	
96004B	Master L/Steels Kit, CD4E (Hi Energy Frictions) 1996-02 (For Bonded Pistons Sell 96960AK Or 96960BK)	1	
96004CW	Master L/Steels Kit, CD4E (With Molded Pan Gasket) 2003-Up (For Bonded Pistons Sell 96960BK)	1	

PART #	MASTER W/STEEL KIT	QTY.	REFERENCE #
96006	Master W/Steels Kit, CD4E 1994-95 (For Bonded Pistons Sell 96960AK)	1	
96006B	Master W/Steels Kit, CD4E (Hi Energy Frictions) 1996-02 (For Bonded Pistons Sell 96960AK Or 96960BK)	1	
96006CW	Master W/Steels Kit, CD4E (W/Molded Pan Gasket) 2003-Up (For Bonded Pistons Sell 96960BK)	1	

PART #	FILTER	QTY.	REFERENCE #
96010	Filter, CD4E 1994-Up	1	F3RZ-7A098-A

PART #	FILTER KIT	QTY.	REFERENCE #
96011	Filter Kit, CD4E 1994-Up	1	

PART #	BANDS	QTY.	REFERENCE #
96020	Band, CD4E Overdrive (1.658" Wide) 1994-95	1	F3RZ-7D034-A
96020A	Band, CD4E Overdrive (2.047" Wide) (4 Cylinder & V6) (High Energy) 1994-Up	1	F4RZ-7D034-A
96020AA	Band, CD4E Overdrive (2.047" Wide) (V8 Engine) (Higher Energy) 2001-Up	1	

PART #	BUSHINGS	QTY.	REFERENCE #
96030	Bushing Kit, CD4E 1994-Up	1	
96031	Bushing, CD4E Converter Hub (1.772"ID)	1	F3RP-7N805-AA
96032	Bushing, CD4E Converter Reactor (.935"ID)	1	F3RP-7N817-AA
96035	Bushing, CD4E Inner Pump Gear (1.358"ID)	1	F3RP-7B259-BA
96046	Bushing, CD4E Reverse Clutch Drum (W/Shoulder) (Rear)	1	F3RP-7F217-AA
96046B	Bushing, CD4E Reverse Clutch Drum (Front)	1	F3RP-7F218-AA
96048	Bushing, CD4E Direct & Forward Clutch Drum	1	F3RP-7H209-AB
96049	Bushing, CD4E Turbine Shaft	1	F3RP-7H025-AA
96051	Bushing, CD4E Direct Hub & Shell	1	F3RP-7H240-AA
96052	Bushing, CD4E Forward Sun Gear	1	F3RP-7F366-AA
96053	Bushing, CD4E Forward Planet	1	F3RP-7H034-AA
96056	Bushing, CD4E Reverse Sun Gear Shell	1	F3RP-7H033-AB
96058	Bushing, CD4E Reverse Planet	1	F3RP-7H043-AA
96060	Bushing, CD4E Driven Sprocket	1	F3RP-7G344-AA
96063	Bushing, CD4E Differential Housing To Driven Sprocket (2.061"ID)	1	F3RP-7H040-AA
96063B	Bushing, CD4E Differential Housing To Axle Spider Gear (1.620"ID)	1	
86064	Bushing, CD4E 2WD Bell Housing To Differential (Behind Axle Seal) (1.410"ID)	1	
96064A	Bushing, CD4E AWD Differential To Bell Housing (3.750"ID)	1	

PART #	METAL CLAD SEALS	QTY.	REFERENCE #
96070	Seal, CD4E Converter Hub	1	F3RZ-7F401-A
96072	Seal, CD4E Manual Control Lever	1	E1FZ-7B498-A
86076	Seal, CD4E Axle (2WD Both Axles)(AWD Case Side Only)	1-2	E6DZ-1177-A
96076A	Seal, CD4E Axle (AWD Adapter, Bell Housing Side)	1	YL8Z-1S177-AA

FORD



FWD 4 Speed

CD4E

PART #	FRICTION CLUTCH	QTY.	REFERENCE #
96106	Friction, CD4E Direct Clutch (.065") (24 Teeth) (5.268"OD) 1994-95	3-4	F4RZ-7B164-D
96106A	Friction, CD4E Direct Clutch (.065") (24 Teeth) (5.268"OD) High Energy 1996-Up	3-4	F6RZ-7B164-A
96108	Friction, CD4E Forward Clutch (.065") (32 Teeth) (5.272"OD)	3	F3RZ-7B164-B
96108A	Friction, CD4E Forward Clutch (.065") (32 Teeth) (5.272"OD) High Energy 2001-Up	3	
96110	Friction, CD4E Reverse Clutch (.065") (6.065"OD)	2	F3RZ-7B164-A
96112	Friction, CD4E Coast Clutch (.065") (24 Teeth) (4.830"OD) 1994-96	2	F3RZ-7B164-E
96112A	Friction, CD4E Coast Clutch (.065") (24 Teeth) (4.830"OD) Hi Energy 1997-Up	2	F7RZ-7B164-AA
96114	Friction, CD4E Low/Reverse Clutch (.065") (32 Teeth) (8 5/8"OD)	3-4	F3RZ-7B164-C
96114A	Friction, CD4E Low/Reverse Clutch (.065") (32 Teeth) (8 5/8"OD) (Hi Energy) 2001-Up	3-4	
96119	Friction Module, CD4E 1994-Up	1	
96119A	Friction Module, CD4E (With Hi Energy Coast & Direct Clutch Frictions)	1	

PART #	STEEL CLUTCH	QTY.	REFERENCE #
96126	Steel, CD4E Direct Clutch (.079") (32 Teeth) (4.114"ID) 1994-Up	3-4	F3RZ-7B442-E
96126B	Steel, CD4E Direct Clutch (.118") (32 Teeth) (4.114"ID) 1994-Up	3-4	F5RZ-7B442-A
96128	Steel, CD4E Forward Clutch (.069") (32 Teeth) (4.260"ID)	2-3	F3RZ-7B442-C
96130	Steel, CD4E Reverse Clutch (.069") (32 Teeth) (4.750"ID)	2	F3RZ-7B442-A
96132	Steel, CD4E Coast Clutch (.069") (20 Teeth) (3.776"ID)	2	F3RZ-7B442-D
96134	Steel, CD4E Low/Reverse Clutch (.069") (18 Teeth) (7.800"ID)	3-4	F3RZ-7B442-B

PART #	CLUTCH PRESSURE PLATES	QTY.	REFERENCE #
96146	Pressure Plate, CD4E Direct Clutch W/Hump (.155" Thick Less Hump)	1	F3RZ-7B477-A
96148	Pressure Plate, CD4E Forward Clutch (.158") Flat (4.265"ID) Can Use 96148A	1	F3RZ-7B066-BA
96148A	Pressure Plate, CD4E Forward Clutch (.158") W/Hump (4.265"ID) Can Use 96148	1	
96150	Pressure Plate, CD4E Reverse Clutch (.156")	1	F3RZ-7D408-A
96152	Pressure Plate, CD4E Coast Clutch (.358") 1994-97	1	F3RZ-7B066-C
96152B	Pressure Plate, CD4E Coast Clutch (.188") 1998-Up	1	F8RZ-7B066-AA
96154A	Pressure Plate, CD4E Low/Reverse Clutch (.083")	1	F3RZ-7B066-D
96154B	Pressure Plate, CD4E Low/Reverse Clutch (.090")	1	F3RZ-7B066-E
96154C	Pressure Plate, CD4E Low/Reverse Clutch (.099")	1	F3RZ-7B066-F
96154D	Pressure Plate, CD4E Low/Reverse Clutch (.106")	1	

PART #	VALVE BODY KITS	QTY.	REFERENCE #
T96167	Shift Kit, CD4E Junior 1994-99	1	SK® CD4-JR

PART #	OIL SEALING RINGS	QTY.	REFERENCE #
96175	Ring Kit, CD4E	1	
96177T	Ring, CD4E Forward/Direct Clutch Hub (Solid) (Teflon)	1	F3RZ-7C099-A
96178T	Ring, CD4E Pump Stator To Turbine Shaft (Teflon)	1	F3RP-7H115-BA
96179T	Ring, CD4E Reverse Clutch Cylinder (Scarf Cut) (Teflon)	2	F3RZ-7D020-A
96181T	Ring, CD4E Pump Stator To Forward/Direct & Reverse Drum (Teflon)	6	F3RZ-7H114-FA

PART #	WASHERS & BEARINGS	QTY.	REFERENCE #
96201A	Bearing Kit, CD4E	1	
96211	Bearing, CD4E Stator To Reverse Hub	1	F3RZ-7H241-A
96231	Washer, CD4E Forward & Direct Drum To Reverse Drum (Plastic)(4 Tab)	1	F3RZ-7G116-A
96231HD	Washer, CD4E Forward & Direct Drum To Reverse Drum (Plastic)(4 Tab)(Heavy Duty)(A Direct Replacement For The 96231, That Breaks)	1	
96232	Bearing, CD4E Forward Sun Gear To Forward/Direct Drum	1	F3RZ-7H026A
96235	Bearing W/Races, CD4E Forward Planet To Sun Gear (.141" Thick)(1.960"OD)	1	F3RZ-7H027A
96238	Bearing, CD4E Forward Ring Gear To Forward Planet	1	F3RZ-7H028A
96241	Bearing, CD4E Reverse/Overdrive Shell To Forward Ring Gear	1	F3RZ-7G178A
96251	Bearing, CD4E Drive Sprocket To Reverse Planet	1	F3RZ-7F240A
S96251-1K	Shim Kit, CD4E (Under # 251 & # 281 Bearing) Sonnaz (Contains: 1-.008" & 1-.015" For #251 / 1-.005" & 1-.010" For #281 Bearing For Settin End Play)	1	
96262A	Shim, CD4E Driven Sprocket To Case (.048")	1	F3RZ-7H086F
96262B	Shim, CD4E Driven Sprocket To Case (.055")	1	F3RZ-7H086E
96262C	Shim, CD4E Driven Sprocket To Case (.062")	1	F3RZ-7H086D
96262D	Shim, CD4E Driven Sprocket To Case (.069")	1	F3RZ-7H086C
96262E	Shim, CD4E Driven Sprocket To Case (.076")	1	F3RZ-7H086B
96262G	Shim, CD4E Driven Sprocket To Case (.083")	1	F3RZ-7H086A
96263	Bearing, CD4E Driven Sprocket To Case	1	F3RZ-7G247-A
96264	Caged Roller Bearing, CD4E Case To Driven Sprocket Support (Presses Into Case)	1	F3RZ-7G355-A

FORD

CD4E



FWD 4 Speed

FORD

PART #	WASHERS & BEARINGS (Continued)	QTY.	REFERENCE #
96279A	Washer, CD4E Drive Sprocket To Bell Housing (.056")	1	F3RZ-7G099A
96279B	Washer, CD4E Drive Sprocket To Bell Housing (.066")	1	F3RZ-7G099B
96279C	Washer, CD4E Drive Sprocket To Bell Housing (.076")	1	F3RZ-7G099C
96279D	Washer, CD4E Drive Sprocket To Bell Housing (.086")	1	F3RZ-7G099D
96281	Bearing, CD4E Differential To Driven Sprocket	1	F3RZ-7G233A
96292	Bearing, CD4E Differential To Bell Housing (2.295"OD)(1.425"ID)	1	F3RZ-4221A
96292C	Bearing, CD4E (AWD Only) Differential To Bell Housing (2.605"OD)(1.980"ID)	1	
96293A	Race, CD4E Differential To Bearing (.039") (2.815"OD)(1.435"ID)	1	F3RZ-4067-A
96293B	Race, CD4E Differential To Bearing (.050") (2.815"OD)(1.435"ID)	1	F3RZ-4067-B
96293C	Race, CD4E Differential To Bearing (.062") (2.815"OD)(1.435"ID)	1	F3RZ-4067-C
96293D	Race, CD4E Differential To Bearing (.074") (2.815"OD)(1.435"ID)	1	F3RZ-4067-D
96293E	Race, CD4E Differential To Bearing (.085") (2.815"OD)(1.435"ID)	1	F3RZ-4067-E
96293F	Race, CD4E (AWD Only) Differential To Bearing (.075") (2.625"OD)(1.985"ID)	1	
96298A	Bearing, CD4E Drive Sprocket (Front, Inner)	1	F3RZ-7H032A
96298B	Bearing, CD4E Drive Sprocket (Rear, Inner)	1	F3RZ-7H029A

PART #	GASKETS & RUBBER COMPONENTS	QTY.	REFERENCE #
96301	Gasket, CD4E Side Cover (Valve Body Cover) Cork	1	F3RZ-7F396A
96301BW	Gasket, CD4E Side Cover (Valve Body Cover) (Molded Rubber) 2003-Up	1	
96301F	Gasket, CD4E Side Cover (Valve Body Cover) Farpak	1	F3RZ-7F396A
96308	Gasket, CD4E Accumulator Body Cover	2	F3RZ-7F202A
96310	Gasket, CD4E Pump Seperator Plate 1994-96	1	F3RZ-7G331-A
96310A	Gasket, CD4E Pump Seperator Plate 1997-Up	1	F7RZ-7G331-AA
96311	Lathe Cut Seal, CD4E Pump Body	1	F3RZ-7A248-A
96318	Gasket, CD4E Case To Bell Housing	1	F3RZ-7B353-A
96320	Gasket, CD4E Valve Body Upper Seperator Plate (Takes 2)	2	F3RZ-7D100-A
96321	Gasket, CD4E Valve Body Lower Seperator Plate (Takes 2)	2	
96322	Gasket, CD4E Pressure Tap Plate	1	F3RZ-7H251-A
96328	Gasket, CD4E Electronic Control Body	1	F3RZ-7H200-A
96334	Lip Seal, CD4E Forward Clutch Piston (Inner)	1	F3RZ-7A548-C
96335	Lip Seal, CD4E Forward Clutch Piston (Outer)	1	F3RZ-7A548-A
96336	Lip Seal, CD4E Direct Clutch Piston (Inner)	1	F3RZ-7F225-A
96337	Lip Seal, CD4E Direct Clutch Piston (Outer)	1	F3RZ-7A548-B
96338	Seal, CD4E Low/Reverse Clutch (Inner)	1	F3RZ-7D404-A
96339	Seal, CD4E Low/Reverse Clutch (Outer)	1	F3RZ-7D403-A
96347	O-Ring, CD4E Case Connector	1	F3RZ-7B329-A
96354A	O-Ring, CD4E 2-4 Accumulator Cover	1	
S96354AK	O-Ring Kit, CD4E Accumulator Piston (25 Pieces)(Sonnax)(Fits S96935, S96945, S96950)	1	
96369	O-Ring, CD4E Vehicle Speed Sensor	1	N806913-S
96370	O-Ring, CD4E Turbine Speed Sensor	1	F1DZ-7Z101-A
96371	Seal, CD4E Filler Tube	1	E2FZ-7N243-A
96379	Seal, CD4E Filter	1	F3RP-7Z302-A
96383	Seal, CD4E Final Drive Lube Tube	1	F3RZ-7H205-A
96384	Seal, CD4E Filter To Valve Body (Exhaust Regulator)	1	F3RZ-7H249-A

PART #	TECHNICAL MANUALS	QTY.	REFERENCE #
96400	Technical Manual, CD4E (ATSG)	1	TMCD4E
A96400	Rebuild Manual, CD4E Rebuild Procedures (ATRA)	1	
A96400D	Diagnostic Manual, CD4E ("Are They Really That Tough") (ATRA)	1	

PART #	ELECTRICAL COMPONENTS	QTY.	REFERENCE #
96410	Switch, CD4E Manual Lever Position (7 Prong Connector) 1994-Up	1	F3RZ-7F293-A
96410A	Switch, CD4E Manual Lever Position (9 Prong Connector) 1994-Up	1	F8RZ-7F293-AA
96420	Solenoid Assembly, CD4E W/Black Connector 1994-95	1	F3RZ-7G391-A
96420A	Solenoid Assembly, CD4E 1994-Up	1	F6RZ-7G391-AA
96436	Sensor, CD4E Vehicle Speed Sensor (3 Prong, W/Wire Harness & Screws Onto The Speed-O Housing) 1994-Up (6-95-Up Contour 2.5L Only)	1	F5RZ-9E731-BB
96436A	Sensor, CD4E Vehicle Speed Sensor (2 Prong Connector Is Made Onto The Plastic Speed-O Housing, With 23 Teeth Driven Speed-O Gear) 1994-Up	1	F42Z-9E731-AA
96436AA	Sensor, CD4E Vehicle Speed Sensor (2 Prong Connector Is Made Onto The Aluminum Speed-O Housing, With 20 Teeth Driven Speed-O Gear) 1994-Up	1	
96436AB	Sensor, CD4E Vehicle Speed Sensor (3 Prong, With Wire Harness & Screws Onto The Speed-O Housing) (2.0L, 4 Cylinder)	1	F5RZ-9E731-CB
96436AC	Sensor, CD4E Vehicle Speed Sensor (3 Prong With Wire Harness & Screws Into The Speed-O Housing) 1994-Up	1	



FWD 4 Speed

CD4E

96436B	Sensor, CD4E Vehicle Speed Sensor (2 Prong, No Wire Harness)(Fits In The Case By The Axle Seal) 1998-Up	1	F8RZ-7H103-AA
96438	Sensor, CD4E Turbine Speed Sensor (W/Green Connector) (Probe 1994-97) W/Enclosed Pick-Up	1	E7RZ-7M101-KA
96438A	Sensor, CD4E Turbine Speed Sensor (W/Black Connector) W/Enclosed Pick-Up	1	F7RZ-7M101-AA
96438B	Sensor, CD4E Turbine Speed Sensor (W/Black Connector) (1st Design) W/Exposed Pick-Up (Use D96438)	1	
96446A	Wire Harness, CD4E Internal (10 Prong Case Connector) With Plastic Solenoid Cover	1	
S96446A-4	Bracket, CD4E Wiring Harness Connector (Metal)(Sonnax)	1	

PART #	MISC. COMPONENTS	QTY.	REFERENCE #
96487	Grommet, CD4E Breather (On Oil Pan)	1	

PART #	HARD PARTS	QTY.	REFERENCE #
96500	Pump , CD4E 1994-96	1	
96500A	Pump, CD4E 1997-Up	1	F7RZ-7A103-AA
96510A	Pump Body W/Gears, CD4E (With Drive Gear Insert)	1	
96520	Stator, CD4E Pump Cover 1994-96	1	F3RZ-7A108-A
96520A	Stator, CD4E Pump Cover 1997-Up	1	
96529	Converter Reactor, CD4E (32 Spline)	1	
96543	Insert, CD4E Oil Pump Drive Gear	1	E1FZ-7F402-A
96544	Plate, CD4E Pump 1994-96	1	
96544A	Plate, CD4E Pump 1997-Up	1	F7RZ-7A142-AA
96554	Drum, CD4E Forward/Direct (Uses 3 Direct Steels .118" Thick) 1994-E98 (Forward Clutch Return Spring Has Multiple Springs)	1	F5RZ-7G120-A
96554A	Drum, CD4E Forward/Direct (Uses 4 Direct Steels .079" Thick) 1994-E98 (Forward Clutch Return Spring Has Multiple Springs)	1	F5RZ-7G120-BB
96554AK	Drum Kit, CD4E Forward/Direct (Uses 4 Direct Steels .079" Thick) 1994-E98 (Contains: From # 148 To # 554) (With Kit)(Will Retro Fit The 96554CA Drum L1998-Up)	1	
96554B	Drum, CD4E Forward/Direct (Uses 3 Direct Steels .079" Thick) 1994-E98 (Forward Clutch Return Spring Has Multiple Springs)	1	F7RZ-7G120-AC
96554C	Drum, CD4E Forward/Direct (Uses 3 Direct Steels .118" Thick) L1998-Up (Forward Clutch Return Spring Has 1 Large Coil Spring)	1	F8RZ-7G120-AA
96554CA	Drum, CD4E Forward/Direct (Uses 4 Direct Steels .079" Thick) L1998-Up (Forward Clutch Return Spring Has 1 Large Coil Spring)	1	F8RZ-7G120-BA
96556A	Drum, CD4E Reverse (2 Clutch)	1	F3RZ-7D044-AA
96556A-2	Sleeve, CD4E Reverse Drum (Sonnax) Drum Must Be Machined	1	
96564	Piston Kit, CD4E Forward/Coast Clutch 1994-97 (W/Multiple Springs)	1	
96564B	Piston Kit, CD4E Forward/Coast Clutch 1998-Up (W/Coil Spring) Cast # RFF8	1	
96565	Piston Kit, CD4E Direct Clutch	1	
96566	Piston Kit, CD4E Reverse Clutch	1	
96567	Piston Kit, CD4E Low/Reverse Clutch	1	
96576	Clutch Hub, CD4E Reverse Clutch	1	F3RZ-7D391-A
96579	Clutch Hub, CD4E Coast Clutch	1	
96582	Planet, CD4E Forward (Low/Intermediate) (3 Gear) (Can Use 96582B)	1	F8RZ-7A398-AA
96582B	Planet, CD4E Forward (Low/Intermediate) (4 Gear) (Can Use 96582)	1	
96584B	Planet, CD4E Reverse (3 Gear) W/Low Reverse Clutch Hub	1	F3RZ-7D006-A
96592	Ring Gear, CD4E Forward Planet (Low/Intermediate)	1	F3RZ-7A153-C
96598	Ring Gear, CD4E Differential Planet (74 Teeth)	1	F4RZ-7F343-A
96598B	Ring Gear, CD4E Differential Planet (86 Teeth)	1	F3RZ-7F343-A
96612	Sun Gear, CD4E Forward W/Inner Race (Use 96646)	1	
96622	Shell, CD4E W/Reverse Sun Gear 1994-Up (58 Teeth)	1	F3RZ-7A626-A
96624	Shell, CD4E Direct W/Hub	1	F4RZ-7D064-A

PART #	SPRAGS & ONE WAY CLUTCHES	QTY.	REFERENCE #
96642	Sprag Assembly, CD4E Low Sprag W/Outer & Inner Races	1	F3RZ-7A089-B
96642E	Mechanical Diode, CD4E Low With Outer & Inner Races	1	
96646	Sprag Assembly, CD4E Forward Sprag W/Sun Gear 1994-97 (.370" Wide Elements)	1	F3RZ-7A089-A
96646A	Sprag Assembly, CD4E Forward Sprag W/Sun Gear 1998-Up (.307" Wide Elements)	1	F8RZ-7A089-AA
96652	Sprag, CD4E Low Sprag W/Out Outer & Inner Races	1	
96656	Sprag, CD4E Forward (.370" Wide Elements) 1994-97 (Metal Cage Is .590" Wide)	1	
96656A	Sprag, CD4E Forward (.307" Wide Elements) 1998-Up (Metal Cage Is .540" Wide)	1	
96667	Outer Race, CD4E Forward Sprag 1994-97	1	
96667B	Outer Race, CD4E Forward Sprag 1999-Up	1	

FORD

FORD

PART #	HARD PARTS (Continued)	QTY.	REFERENCE #
96671	Shaft, CD4E Pump Drive (14 1/16" Long)	1	F4RZ-7B328-C
96671A	Shaft, CD4E Pump Drive (14 3/4" Long)	1	F4RZ-7B328-B
96673	Shaft, CD4E Turbine (8 1/8" Long)	1	F3RZ-7F213-A
96673A	Shaft, CD4E Turbine (8 7/8" Long)	1	F4RZ-7F213-A
96694	Plate, CD4E Sprag Thrust	1	F3RZ-7B066-B
96700D	Chain, CD4E (45 Links, 3/4" Wide)	1	F6RZ-7G249-AA
96700DA	Chain, CD4E (45 Links, 1" Wide)	1	F6RZ-7G249-BA
96700E	Chain, CD4E (46 Links, .3/4" Wide)	1	F6RZ-7G249-CA
96700EA	Chain, CD4E (46 Links, 1" Wide)	1	F6RZ-7H245-AA
96701	Cover, CD4E Chain (Rear)	1	
96702	Cover, CD4E Chain (Front) (3 1/16" Tall Between Clips)	1	
96702A	Cover, CD4E Chain (Front) (1 1/2" Tall Between Clips)	1	
96705	Sprocket, CD4E Drive (55 Teeth) (.604" Thick) Reverse Planet Ring Gear	1	
96705A	Sprocket, CD4E Drive (56 Teeth) (1.100" Thick) Reverse Planet Ring Gear	1	
96705B	Sprocket, CD4E Drive (55 Teeth) (.850" Thick) Reverse Planet Ring Gear	1	
96706	Sprocket, CD4E Driven (50 Teeth) (.644" Thick Teeth) With 1.970"OD (26 Teeth Sun Gear)	1	
96706A	Sprocket, CD4E Driven (54 Teeth) (.654" Thick Teeth) With 1.730"OD (26 Teeth Sun Gear)	1	
96706AA	Sprocket, CD4E Driven (50 Teeth) (.644" Thick Teeth) With 1.730"OD (26 Teeth Sun Gear)	1	
96706AB	Sprocket, CD4E Driven (54 Teeth) (.654" Thick Teeth) With 1.970"OD (26 Teeth Sun Gear)	1	
96706B	Sprocket, CD4E Driven (46 Teeth) (1.150" Thick Teeth) With 1.730"OD (26 Teeth Sun Gear)	1	
96706BA	Sprocket, CD4E Driven (54 Teeth) (.895" Thick Teeth) With 1.965"OD (26 Teeth Sun Gear)	1	
96706BB	Sprocket, CD4E Driven (50 Teeth) (.900" Thick Teeth) With 1.965"OD (26 Teeth Sun Gear)	1	
96706BC	Sprocket, CD4E Driven (50 Teeth) (1.140" Thick Teeth) With 26 Teeth Sun Gear	1	
96706BD	Sprocket, CD4E Driven (55 Teeth) (.900" Thick Teeth) With 1.730"OD (26 Teeth Sun Gear)	1	
96706BE	Sprocket, CD4E Driven (54 Teeth)(.900" Thick Teeth) With 1.730"OD (26 Teeth Sun Gear)	1	
96706C	Sprocket, CD4E Driven (54 Teeth) (.644" Thick Teeth) With 1.730"OD (30 Teeth Sun Gear)	1	
96715	Differential Assembly, CD4E (26 Teeth Sun Gear) (24 Teeth Pinion Gears)(Smooth On The Neck, 1.415"OD Where Bushing # 064 Rides)	1	
96715AA	Differential Assembly, CD4E (26 Teeth Sun Gear)(24 Teeth Pinion Gears)(Smooth On The Neck, 1.805"OD Where Bushing # 064 Rides)	1	
96715B	Differential Assembly, CD4E (26 Teeth Sun Gear) (30 Teeth Pinion Gears)(Smooth On The Neck, 1.415"OD Where Bushing #064 Rides)	1	
96715C	Differential Assembly, CD4E (26 Teeth Sun Gear) (24 Teeth Pinion Gears)(With External Splines On The Neck , On The Bell Housing Side)	1	
96715CA	Differential Assembly, CD4E (26 Teeth Sun Gear) (30 Teeth Pinion Gears) (With External Splines On The Neck, On The Bell Housing Side)	1	
96740	Valve Body, CD4E W/Solenoid Pack 1994-96	1	
96740A	Valve Body, CD4E W/Solenoid Pack (CAST # RFF7) 1997-Up	1	

PART #	VALVE BODY COMPONENTS	QTY.	REFERENCE #
S96741BAAK	Master Repair Kit, CD4E (Must Use T-73840-MTL Tool Also)	1	73840-MK
S96741BAK	By Pass Kit, CD4E (Must Use T-73840-MTL Tool Also)	1	73840-BK
S96741CAK	Regulator Kit, CD4E (Must Use T-73840-MTL Tool Also)	1	73840-RK
T-73840-MTL	Master Tool Kit, CD4E	1	
T-F-73840-TL	Reamer Kit, CD4E Pressure Regulator Valve (Reamer, Drill Jig & Guide Pin) (Sonnax) (Use With T-VB-FIX)	1	
T-73840-RM2	Reamer For Tool Kit T-73840-RTL	1	
T-73840-RTL	Tool Kit For S96741CAK	1	

PART #	HARD PARTS (Continued)	QTY.	REFERENCE #
96750	Bell Housing, CD4E (Starter At 11:00) Top Bolts 5 1/8"	1	
96750B	Bell Housing, CD4E (Starter At 11:00) Top Bolts 6 1/2"	1	
96750C	Bell Housing, CD4E (Starter At 11:00) Top Bolts 3 1/2"	1	
96750CA	Bell Housing, CD4E (Starter At 11:00) Top Bolts 3 1/2" AWD (Has 4 Raised Threaded Bosses By The Seal) (Cast # RFYL8P-7976-CA) Axle Seal Is 2.755"OD	1	
96750CB	Bell Housing, CD4E (Starter At 11:00) Top Bolts 3 1/2" 2WD (Has 4 Non-Threaded Bosses By The Seal (Cast # RFYL8P-7976-CA) No Speed-O Hole (Axle Seal Is 2.515"OD)	1	
96750D	Bell Housing, CD4E (Square Starter Hole At 2:00)(Top Bolts 5 1/8") AWD (Has 4 Raised Bosses By Axle Seal, 3 Are Threaded)(Cast # RFYL8P-7976-AA)(Axle Seal Is 2.515"OD)	1	
96750DA	Bell Housing, CD4E (Square Starter Hole At 2:00)(TopBolts 5 1/8") AWD (Has 4 Raised Bosses By Axle Seal, 3 Are Threaded) (Cast # RFYL8P-7976-AA) (Axle Seal Is 2.755"OD)	1	
96760	Case, CD4E (No Sensor) 1994-98	1	
96760AA	Case, CD4E (Uses A Vehicle Speed Sensor) 1998-Up	1	



FWD 4 Speed

CD4E

PART #	CASE COMPONENTS	QTY.	REFERENCE #
96761C	Valve, CD4E Thermostatic Oil Level Control	1	
T-SERVO-FIX	Servo Pin Bore Reaming Fixture, CD4E (Sonnax)	1	
PART #	HARD PARTS (Continued)	QTY.	REFERENCE #
96766	Pan, CD4E Side (Vent Is Metal With Cap)	1	F4RZ-7G004-A
96766A	Pan, CD4E Side (Vent Is Just A Tube) With Raised Humps Around Each Bolt	1	F7RZ-7G004-AA
96766B	Pan, CD4E Side (Vent Is Just a Tube) Pan Is Flat Around The Bolt Holes For A Reusable Pan Gasket	1	
96779K	Bolt Set, CD4E Bottom Pan (14 Bolts)	1	
96847	Gear, CD4E Drive Speed-O (27 Teeth) On Differential	1	F3RZ-17285-A
96848	Gear, CD4E Driven Speed-O (23 Teeth) Slides Off Of Speed-O Housing	1	F5RZ-17271-D
96848A	Gear, CD4E Driven Speed-O (23 Teeth) Snap Ring Holds Gear To Housing	1	
96853A	Waved Cushion, CD4E Forward Clutch 1998-Up	1	F8RZ-7E085-AA
96857	Cushion, CD4E Low/Reverse Clutch	1	F3RZ-7B070-A
66775A	Converter Nut, AXOD/AXODE/AX4S/AX4N Metric	1	
96876A	Snap Ring, CD4E Holds Forward Pressure Plate In (.054") 1994-97	1	F3DZ-7D483-E
96876B	Snap Ring, CD4E Holds Forward Pressure Plate In (.059") 1994-97	1	F3DZ-7D483-F
96876C	Snap Ring, CD4E Holds Forward Pressure Plate In (.064") 1994-97	1	F3DZ-7D483-G
96876D	Snap Ring, CD4E Holds Forward Pressure Plate In (.069") 1994-97	1	F3DZ-7D483-H
96876E	Snap Ring, CD4E Holds Forward Pressure Plate In (.056") 1998-Up	1	F8RZ-7D483-AA
96876EA	Snap Ring, CD4E Holds Forward Pressure Plate In (.065") 1998-Up	1	F8RZ-7D483-BA
96876EB	Snap Ring, CD4E Holds Forward Pressure Plate In (.070") 1998-Up	1	F8RZ-7D483-CA
96876EC	Snap Ring, CD4E Holds Forward Pressure Plate In (.077") 1998-Up	1	F8RZ-7D483-DA
96877	Snap Ring, CD4E Holds Forward Clutch Retainer In	1	F3RZ-7N169-A
96878A	Snap Ring, CD4E Holds Direct Clutch Pressure Plate In (.054")	1	F3RZ-7D483-E
96878B	Snap Ring, CD4E Holds Direct Clutch Pressure Plate In (.059")	1	F3RZ-7D483-F
96878C	Snap Ring, CD4E Holds Direct Clutch Pressure Plate In (.064")	1	F3RZ-7D483-G
96878D	Snap Ring, CD4E Holds Direct Clutch Pressure Plate In (.069")	1	F3RZ-7D483-H
96878E	Snap Ring, CD4E Holds Direct Clutch Pressure Plate In (.075")	1	
96879	Snap Ring, CD4E Holds Direct Clutch Retainer In	1	F3RZ-7C122-A
96881	Snap Ring, CD4E Holds Reverse Hub To Forward/Direct Drum (.033")	1	
96883	Snap Ring, CD4E Holds Low Sprag In Case	1	F3RZ-7D483-A
96885	Snap Ring, CD4E Holds Low/Reverse Clutch Retainer In	1	F3RZ-7D483-J
96887	Snap Ring, CD4E Holds Coast Clutch Hub To Sun Gear	1	F3RZ-7C122-B
96888	Snap Ring, CD4E Holds Retainer To Sun Gear	1	
96892A	Snap Ring, CD4E Holds Reverse Clutch Pressure Plate In (.059")	1	F3RZ-7D483-B
96892B	Snap Ring, CD4E Holds Reverse Clutch Pressure Plate In (.064")	1	F3RZ-7D483-C
96892C	Snap Ring, CD4E Holds Reverse Clutch Pressure Plate In (.070")	1	F3RZ-7D483-D
96893	Snap Ring, CD4E Holds Reverse Clutch Retainer In Drum	1	F3RZ-7H225-A
96896	Snap Ring, CD4E Holds Overdrive Servo Cover In	1	XS7Z-7H074-AA
96899	Snap Ring, CD4E Holds Differential Ring Gear In Bell Housing	1	F3RZ-7H106-A
96900	Servo Assembly, CD4E Overdrive (No Groove Pin) 1994-96	1	
96900A	Servo Assembly, CD4E Overdrive (1 Groove Pin) 1994-96	1	
96900B	Servo Assembly, CD4E Overdrive (2 Groove Pin) 1994-96	1	
96900C	Servo Assembly, CD4E Overdrive (1 Groove Pin) (Cast # F7RP) 1997-Up (Ford Probe Only)	1	
96901	Spring, CD4E Overdrive Servo	1	F3RZ-7H073-A
96902	Piston, CD4E Overdrive Servo (Bonded)	1	
96903K	Pin W/Piston & Spring, CD4E Overdrive Servo (No Groove) 1st Design 1994-Up	1	
96903AK	Pin W/Piston & Spring, CD4E Overdrive Servo (1 Groove) 1st Design 1994-Up	1	
96903BK	Pin W/Piston & Spring, CD4E Overdrive Servo (2 Groove) 1st Design 1994-Up	1	
96903CK	Pin W/Piston, CD4E Overdrive Servo (No Groove) 2nd Design (No Spring Type) 1997-Up	1	F4RZ-7H188-F
96903DK	Pin W/Piston, CD4E Overdrive Servo (1 Groove) 2nd Design (No Spring Type) 1997-Up	1	F4RZ-7H188-E
96903EK	Pin W/Piston, CD4E Overdrive Servo (2 Groove) 2nd Design (No Spring Type) 1997-Up	1	F4RZ-7H188-D
96904	Cover, CD4E Overdrive Servo (Bonded)	1	F4RZ-7D027-A
S96935	Piston Kit, CD4E 2-4 Accumulator(Contains; Piston W/O-Rings, & Springs) (Sonnax)	1	73840-24
S96945	Piston Kit, CD4E Low/Reverse Accumulator(Contains; Piston W/O-Rings, & Springs) (Sonnax)	1	73840-LR
S96950	Piston Kit, CD4E Forward Accumulator(Contains; Piston W/O-Rings, & Springs) (Sonnax)	1	73840-FWD
96960AK	Piston Kit, CD4E (Bonded) 1994-Up (Contains: 96966, 96969, 96904)(The 96969 Is .445" Thick At The Outer Lip)(This Must Be Measured)	1	
96960BK	Piston Kit, CD4E (Bonded) 1998-Up (Contains: 96966, 96969A, 96904)(The 96969A Is .470" Thick At Outer Lip)(This Must Be Measured)	1	
96964	Piston Kit, CD4E Forward Clutch 1994-97	1	F3RZ-7A262-B
96964B	Piston Kit, CD4E Forward Clutch (Cast # RFF8) 1998-Up	1	F8RZ-7A262-AB
96965	Piston, CD4E Direct Clutch (Lip Seal Type)	1	F3RZ-7A262-A
96966	Piston, CD4E Reverse Clutch (Bonded)	1	F3RZ-7E079-A
96967	Piston, CD4E Low/Reverse Clutch	1	F3RZ-7D402-A

FORD

CD4E



FWD 4 Speed

PART #	HARD PARTS (Continued)	QTY.	REFERENCE #
96969	Piston, CD4E Coast Clutch (Bonded)(.445" Thick At Outer Lip) 1994-Up	1	F3RZ-7A266-C
96969A	Piston, CD4E Coast Clutch (Bonded)(.470" Thick At Outer Lip) 1998-Up	1	F8RZ-7A262-BA
96974	Retainer W/Spring, CD4E Forward/Coast Clutch (With Multiple Springs) 1994-97	1	F3RZ-7G299-A
96974B	Retainer W/Spring, CD4E Forward/Coast Clutch (With 1 Coil Spring) 1998-Up	1	F8RZ-7G299-AA
96975	Retainer W/Springs, CD4E Direct Clutch	1	F4RZ-7F235-A
96976	Retainer W/Springs, CD4E Reverse Clutch	1	F3RZ-7G335-A
96977	Retainer W/Springs, CD4E Low/Reverse Clutch	1	F3RZ-7H064-A
96980	End Cap, CD4E Forward Sprag (Thick)	1	
96981	End Cap, CD4E Forward Sprag (Thin)	1	
96982	Retainer, CD4E Forward Sprag	1	
96991	Linkage Assembly, CD4E Internal (Complete Linkage Assembly)	1	
96992	Linkage, CD4E External Shift Lever (2 9/16" Long)	1	
96992A	Linkage, CD4E External Shift Lever (3 5/16" Long)	1	F7RZ-7A256-AA
96996	Fittings, CD4E Cooler Line To Case (Screw In Type)	2	
96999-1	Oil Tube, CD4E	1	F3RZ-7H207-A

FORD



FORD