

Transfer Case LX

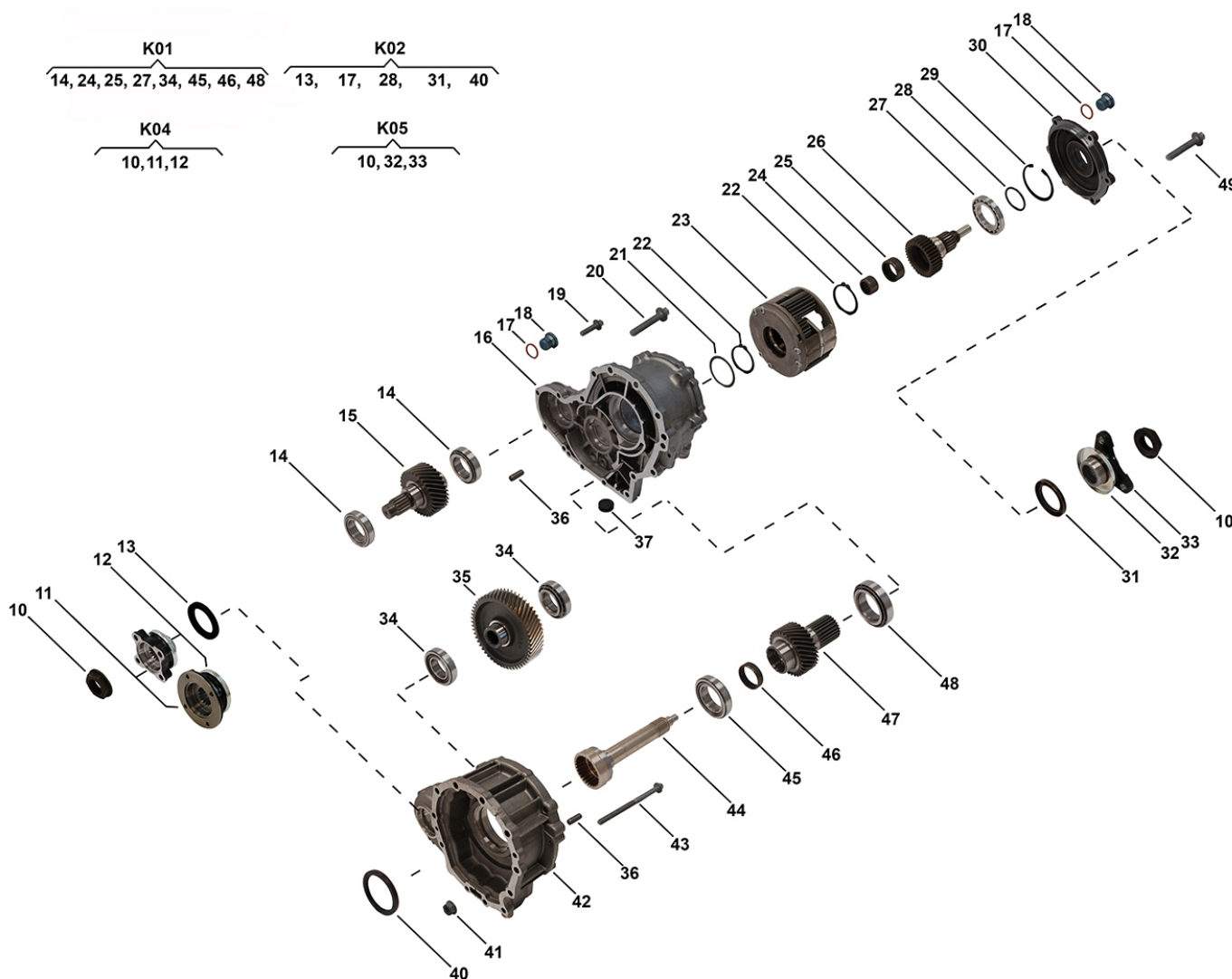
N931 00 01

OEM No: 04591953AI

Brands

Brand	Modelseries
Chrysler	300

List of parts



Pos	Part number	OEM no	Quantity	Product name	Info
'I01	N931 00 01	04591953AI		OE References	04591953AC, 04591953AE, 04591953AF, 04591953AG, 04591953AH, 68001953AI, RL001953AI, 04591953AI
'K01	SP00933		1 piece	Bearing Kit	Contains position 14, 24, 25, 27, 34, 45, 46, 48

All rights reserved.
This publication may not be reproduced in any form, in whole or in part, without a written approval from JP (Automatic Transmissions) Ltd. Subject to change without notice!

Transfer Case LX

N931 00 01

OEM No: 04591953AI

List of parts

Pos	Part number	OEM no	Quantity	Product name	Info
'K02	SP00934		1 piece	Sealing Kit	Contains position 13, 17, 28, 31, 40
'K04	SP00935		1 piece	Flange Kit Front	Contains position 10, 11, 12
'K05	SP00938		1 piece	Flange Kit Rear	Contains position 10, 32, 33 Information for SEC: Used in A2112801000, A2202800700
10	SP00491	05143678AA; A2109900151	2 pieces	Flange Nut	
11	SP00888		1 piece	Flange Front	
12	SP00890	A2102820076	1 piece	Slinger	
13	SP00891	05143658AA; A2209970346	1 piece	Radial Sealing	
14	SP00892	05143673AA; A2209810805	2 pieces	Tapered Roller Bearing	
15	SP00893	05143669AA	1 piece	Sprocket Shaft	
16	Not available		1 piece	Housing Rear	
17	SP00932	05143632AA	3 pieces	Washer-Sealing	
18	SP00895	05143631AA	3 pieces	Plug	
19	SP00896	05143657AA	2 pieces	Socket Screw	
20	SP00897		9 pieces	Socket Screw	
21	SP00898	05143675AB	1 piece	Thrust Washer	Information for DCS: Used in A2512801400, A2512803200
22	SP00899	05143680AA	2 pieces	Retaining Ring	
23	SP00901	05143666AB	1 piece	Differential ASM	
24	SP00903	A2209811710	1 piece	Needle Bearing	Information for DCS: Used in A2512801400, A2512803200
25	SP00904	A2209811610	1 piece	Needle Bearing	Information for DCS: Used in A2512801400, A2512803200
26	SP00905		1 piece	Sprocket Shaft	
27	SP00906	05143662AA; A2209810125	1 piece	Ball Bearing	
28	SP00907	05143674AA	1 piece	O-Ring	
29	SP00908		1 piece	Retaining Ring	
30	Not available		1 piece	Gearbox Case Cap	
31	SP00910	05143659AA; 97033280300; A2209970246	1 piece	Radial Sealing	
32	SP00911		1 piece	Slinger	
33	SP00912		1 piece	Flange Rear	Information for SEC: Used in A2112801000, A2202800700
34	SP00914	05143672AA; A2209810705	2 pieces	Tapered Roller Bearing	
35	SP00915	05143668AA	1 piece	Sprocket	
36	SP00916	N000000004503	2 pieces	Pin	
37	SP00130	05143630AA; A2102760098	1 piece	Magnet	
40	SP00920	05143660AA; A2209970046	1 piece	Radial Sealing	
41	SP00921		4 pieces	Nut	
42	Not available		1 piece	Housing Front	
43	SP00923		4 pieces	Socket Screw	
44	SP00925	05143679AB	1 piece	Drive Shaft	
45	SP00926	05143671AA	1 piece	Tapered Roller Bearing	
46	SP00927	A2209811510	1 piece	Needle Bearing	
47	SP00929		1 piece	Hollow Shaft	

All rights reserved.

This publication may not be reproduced in any form, in whole or in part, without a written approval from JP (Automatic Transmissions) Ltd. Subject to change without notice!

4WD Single Parts

2018



Transfer Case LX

N931 00 01

OEM No: 04591953AI

List of parts

Pos	Part number	OEM no	Quantity	Product name	Info
48	SP00930	05143670AA; A2209810605	1 piece	Tapered Roller Bearing	
49	SP00931		6 pieces	Tapping Screw	
	SP02000		1 piece	Sealant	Sealant SILICON BLACK (1pce = 300ml)

All rights reserved.

This publication may not be reproduced in any form, in whole or in part, without a written approval from JP (Automatic Transmissions) Ltd. Subject to change without notice!

Transfer Case LX

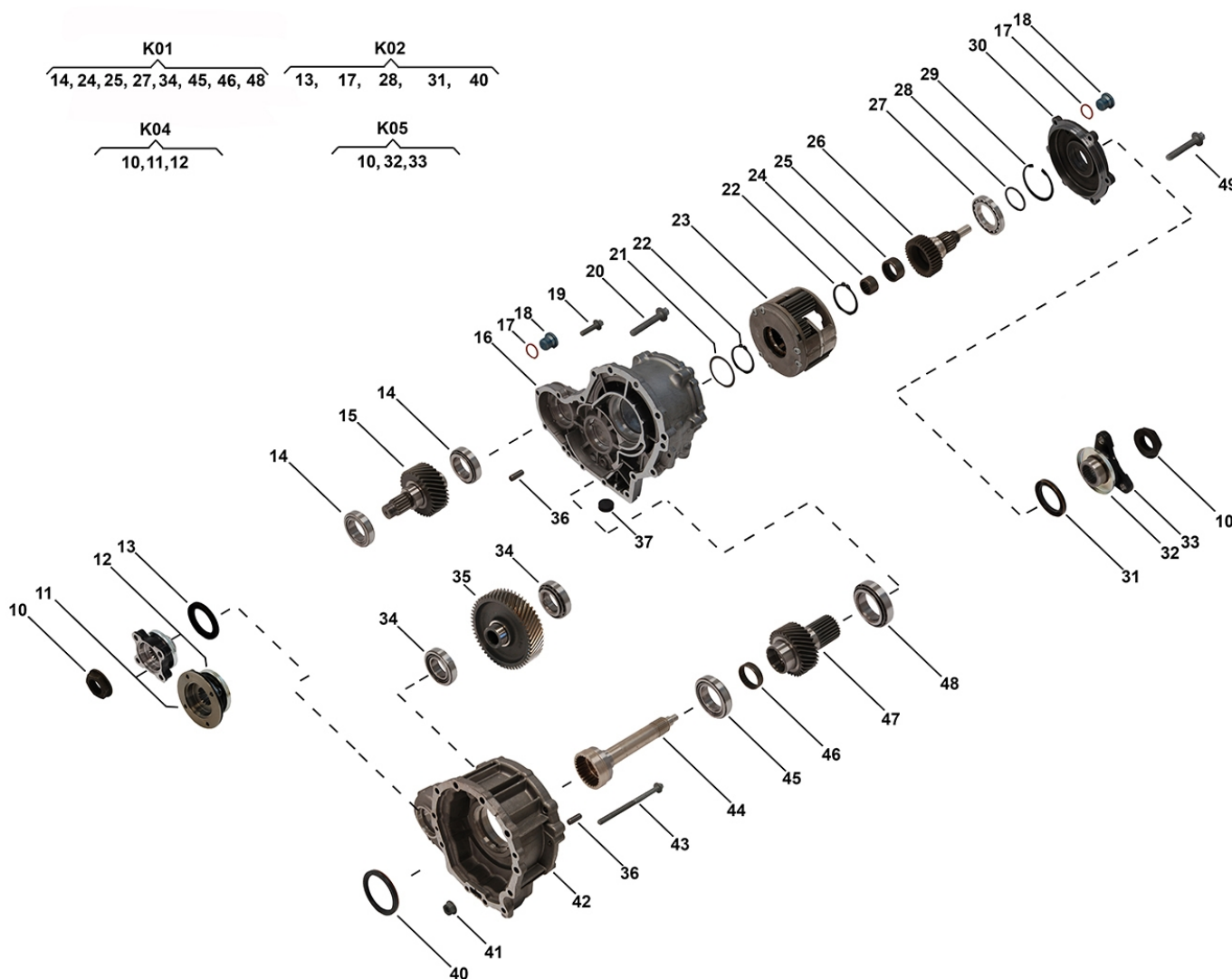
N931 00 01

OEM No: 04591953AI

Brands

Brand	Modelseries
Dodge	Charger; Magnum

List of parts



Pos	Part number	OEM no	Quantity	Product name	Info
'I01	N931 00 01	04591953AI		OE References	04591953AC, 04591953AE, 04591953AF, 04591953AG, 04591953AH, 68001953AI, RL001953AI, 04591953AI
'K01	SP00933		1 piece	Bearing Kit	Contains position 14, 24, 25, 27, 34, 45, 46, 48

All rights reserved.
This publication may not be reproduced in any form, in whole or in part, without a written approval from JP (Automatic Transmissions) Ltd. Subject to change without notice!

Transfer Case LX

N931 00 01

OEM No: 04591953AI

List of parts

Pos	Part number	OEM no	Quantity	Product name	Info
'K02	SP00934		1 piece	Sealing Kit	Contains position 13, 17, 28, 31, 40
'K04	SP00935		1 piece	Flange Kit Front	Contains position 10, 11, 12
'K05	SP00938		1 piece	Flange Kit Rear	Contains position 10, 32, 33 Information for SEC: Used in A2112801000, A2202800700
10	SP00491	05143678AA; A2109900151	2 pieces	Flange Nut	
11	SP00888		1 piece	Flange Front	
12	SP00890	A2102820076	1 piece	Slinger	
13	SP00891	05143658AA; A2209970346	1 piece	Radial Sealing	
14	SP00892	05143673AA; A2209810805	2 pieces	Tapered Roller Bearing	
15	SP00893	05143669AA	1 piece	Sprocket Shaft	
16	Not available		1 piece	Housing Rear	
17	SP00932	05143632AA	3 pieces	Washer-Sealing	
18	SP00895	05143631AA	3 pieces	Plug	
19	SP00896	05143657AA	2 pieces	Socket Screw	
20	SP00897		9 pieces	Socket Screw	
21	SP00898	05143675AB	1 piece	Thrust Washer	Information for DCS: Used in A2512801400, A2512803200
22	SP00899	05143680AA	2 pieces	Retaining Ring	
23	SP00901	05143666AB	1 piece	Differential ASM	
24	SP00903	A2209811710	1 piece	Needle Bearing	Information for DCS: Used in A2512801400, A2512803200
25	SP00904	A2209811610	1 piece	Needle Bearing	Information for DCS: Used in A2512801400, A2512803200
26	SP00905		1 piece	Sprocket Shaft	
27	SP00906	05143662AA; A2209810125	1 piece	Ball Bearing	
28	SP00907	05143674AA	1 piece	O-Ring	
29	SP00908		1 piece	Retaining Ring	
30	Not available		1 piece	Gearbox Case Cap	
31	SP00910	05143659AA; 97033280300; A2209970246	1 piece	Radial Sealing	
32	SP00911		1 piece	Slinger	
33	SP00912		1 piece	Flange Rear	Information for SEC: Used in A2112801000, A2202800700
34	SP00914	05143672AA; A2209810705	2 pieces	Tapered Roller Bearing	
35	SP00915	05143668AA	1 piece	Sprocket	
36	SP00916	N000000004503	2 pieces	Pin	
37	SP00130	05143630AA; A2102760098	1 piece	Magnet	
40	SP00920	05143660AA; A2209970046	1 piece	Radial Sealing	
41	SP00921		4 pieces	Nut	
42	Not available		1 piece	Housing Front	
43	SP00923		4 pieces	Socket Screw	
44	SP00925	05143679AB	1 piece	Drive Shaft	
45	SP00926	05143671AA	1 piece	Tapered Roller Bearing	
46	SP00927	A2209811510	1 piece	Needle Bearing	
47	SP00929		1 piece	Hollow Shaft	

All rights reserved.

This publication may not be reproduced in any form, in whole or in part, without a written approval from JP (Automatic Transmissions) Ltd. Subject to change without notice!

4WD Single Parts

2018



Transfer Case LX

N931 00 01

OEM No: 04591953AI

List of parts

Pos	Part number	OEM no	Quantity	Product name	Info
48	SP00930	05143670AA; A2209810605	1 piece	Tapered Roller Bearing	
49	SP00931		6 pieces	Tapping Screw	
	SP02000		1 piece	Sealant	Sealant SILICON BLACK (1pce = 300ml)

All rights reserved.

This publication may not be reproduced in any form, in whole or in part, without a written approval from JP (Automatic Transmissions) Ltd. Subject to change without notice!